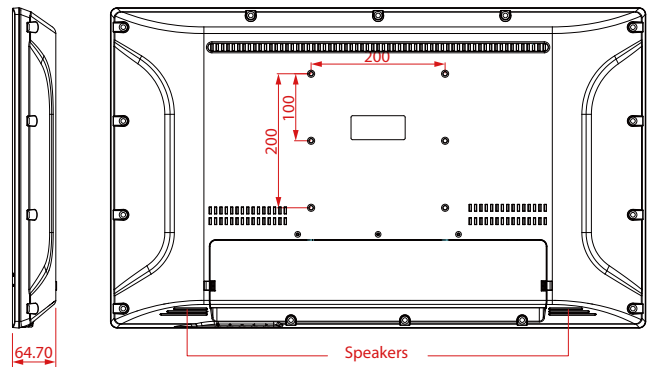
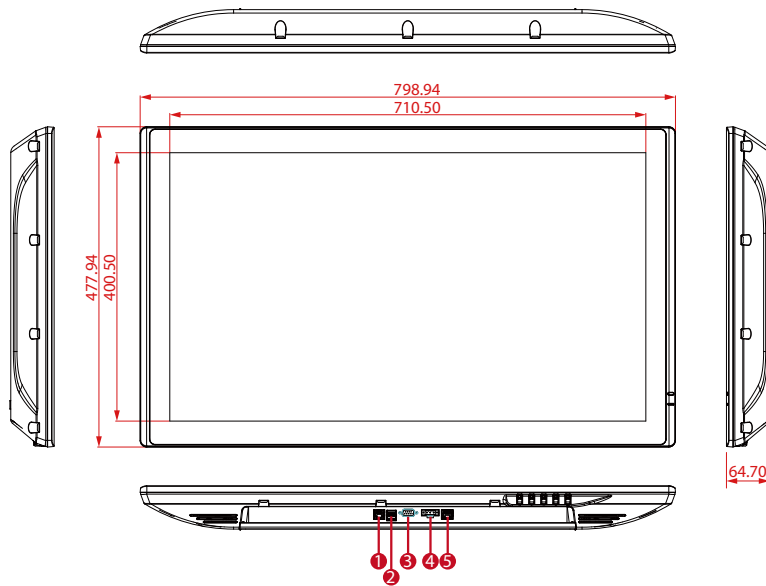


# 32" Multi-Touch HMI Series- W32IP3S-PTA3

## Features

- 32" 1920 x 1080 with P-CAP touchscreen
- Intel® Pentium® N4200 Apollo Lake Processor
- Fanless cooling system and ultra low power consumption
- Front IP65 for protection against water and dust
- A true flat, easy-to-clean front surface with edge-to-edge design



1. RJ-45 (LAN)
2. USB 3.0
3. RS232/422/485
4. 12V DC Terminal Block
5. RJ-45 (LAN)

## Specifications

### System

- Processor : Intel® Pentium® Processor N4200 (2M Cache, up to 2.5 GHz)
- System Memory : 2GB DDR3L 1866 SO-DIMM (Optional 8 GB)
- Storage : 64GB M.2 SSD (Default)
- LAN : Dual Intel® I210-AT GbE LAN

### Input / Output

- Serial Port : 1 x RS-232/422/485
- USB Port : 2 x USB 3.0
- Ethernet : 1 x RJ-45-10/100/1000 Mbps, 1 x RJ-45

### Environment Considerations

- Operating Temperature : 0 °C to 50 °C
- Operating Humidity : 10% to 90% (non-condensing)
- IP Rating : Front IP65

### Power Specifications

- Power Input : 12V DC in
- Power Consumption : 67W

### Display Spec

- Panel Size : 32" TFT
- Resolutions : 1920 x 1080
- Brightness : 400 cd/m (typ.)
- Contrast Ratio : 4000 : 1 (typ.)
- Viewing Angle : -89~89(H);-89~89(V)
- Max Colors : 16.7M
- Touch screen : Projected Capacitive Multi-Touch

### Mechanical Spec

- Mounting : VESA Mount (100 x 200mm) (200 x 200mm)
- Dimensions (W x H x D) : 798.94 x 477.94 x 64.7 (mm)

### Operating System

- Windows 10 IoT Enterprise

### Security Support

- Trusted Platform Module (TPM 2.0)

