

Military Grade Rack Mount LCD

Rack Mount LCD



24" (9U)

Specifications



Model Name	W24L100-RKS1ML
Viewable Size Image	24"
Active Display Area(mm)	518.4(H)x324(V)
Pixel Pitch(mm)	0.270(H)x0.270(V)
Number of Pixels	1920x1200
Contrast Ratio	1000:1(typ.)
Display Color	16.7M (colors)
Brightness(cd/m ²)	300(typ)
Viewing Angle(CR>=10)	-89~89(H); -89~89(V)
Synchronization Range	31.5~80.0KHz/60~75Hz
Horizontal/Vertical	
Recommended Resolution	1920x1200@60Hz, 75Hz
Signal Connector	1 x D-Sub15 (VGA) 1 x DVI-D 5 x BNCs
Power Source	AC100~240V, Universal, ±10% DC 9-36V, ±10%(Optional)
Power Consumption	66W typical, normal operation
Power Management	VESA DPMS Compliant
Plug & Play	VESA DDC 1/2B
Operating Temperature	0°C ~ 50°C Wide temperature solution by request
Storage Temperature	-10°C ~ 60°C

- Anti-Corrosion Housing / Fanless
- Compliant with MIL-STD-810G/F
- Flush Rack / Rack Mount Mechanical Design
- Convenient On-Screen Display Controls
- AC built-in Power input / Isolation DC 9~36V Power input (Optional)
- Built-in Light Sensor for auto brightness control
- Military Grade Power Connector (MIL-DTL-38999/1)
- Standard AR Glass

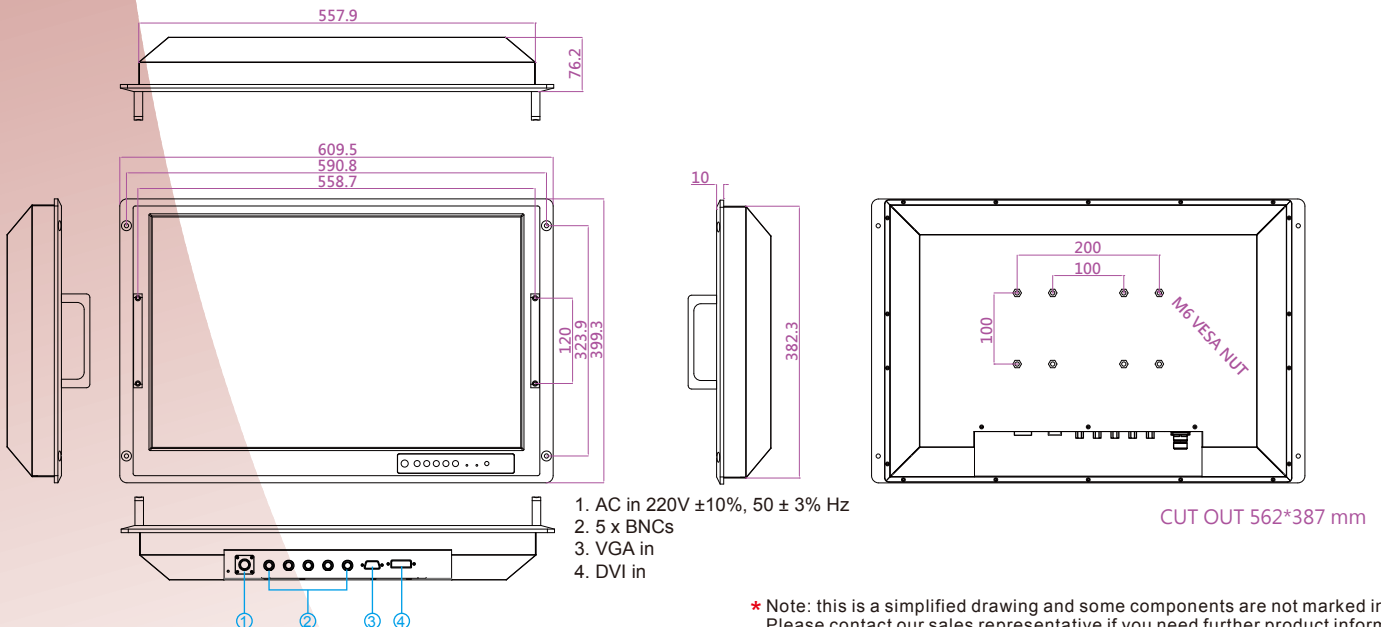
Environmental(MIL-STD 810F/G Compliance)

Vibration	MIL-STD-810F/G Method 514.5
Humidity	MIL-STD-810F/G Method 507.4
Transit Drop	MIL-STD-810F/G Method 516.5

Environmental(MIL-461E/F Compliance)

RE	RE101 / RE102
CE	CE 101 / CE102

Mechanical Drawing



* Note: this is a simplified drawing and some components are not marked in detail. Please contact our sales representative if you need further product information.