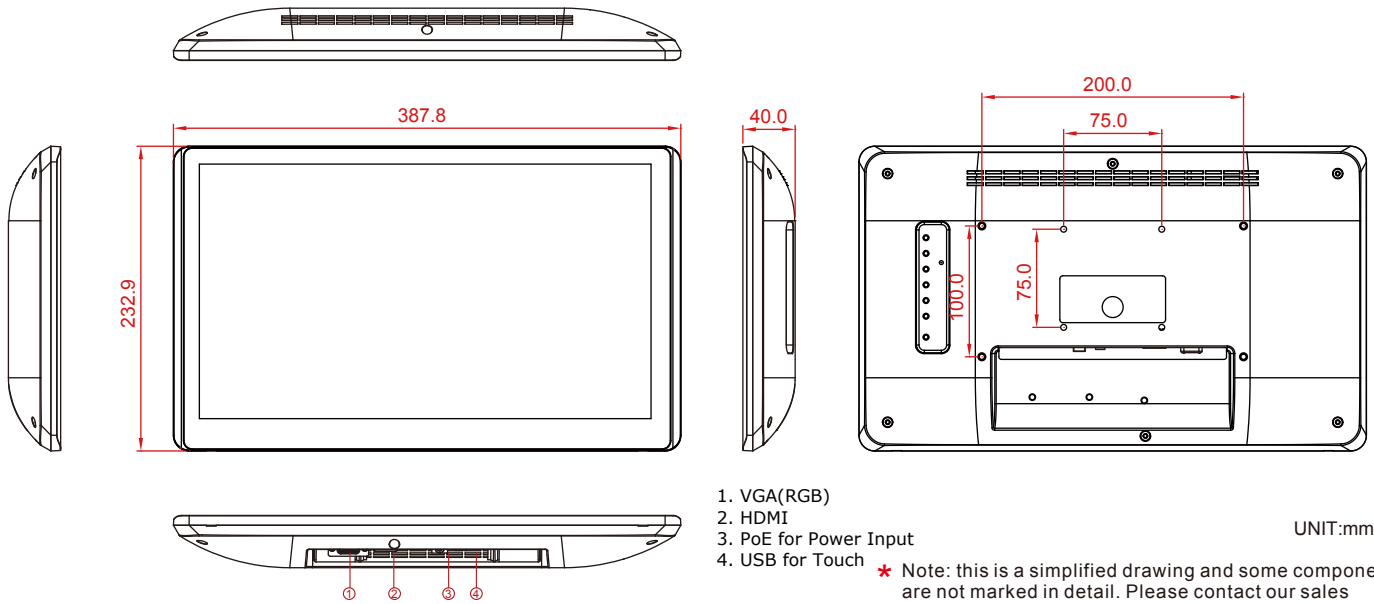


15.6" Multi-Touch Chassis Display - W15L100-PTA3-PoE

Features

- 15.6" 1920 x 1080 Resolution
- VGA input and HDMI input
- Stylish and elegant design
- Supports PoE



Specifications

Display Spec :

- Size/Type : 15.6" TFT
- Resolutions : 1920x1080
- Brightness : 300cd/m² (typ.)
- Contrast Ratio : 700 : 1 (typ.)
- Viewing Angle : -85~85(H);-85~85(V)
- Max Colors : 16.2M
- Touch : Projected-Capacitive Touch

Input Specifications :

- Input Ports : 1 x VGA
1 x HDMI
1 x PoE for Power Input
1 x USB For touch
- OSD Membrane : Buttons at the back side
- Speaker : 2 x 1 Watt (Optional)

Power Specification :

- Power Input/Power Over Ethernet : Power Device (PD) follows IEEE 802.3at (25 W), IEEE 802.3af (15 W)
- Power Consumption : 10W typical, normal operation

Mechanical Specification :

- Mounting : VESA Mount (75 x 75,100 x 200mm)
- Dimensions (W x H x D) : 387.8 x 232.9 x 38.4 (mm)
- Appearance : Plastic casing

Environment Considerations :

- Operating Temperature : 0 °C to 50 °C
- LCD panel life time : 50,000 hours
- Certification : CE, FCC Class A, UL, RoHS

Product Accessory :

- Accessory : HDMI cable
VGA cable
USB cable for touch

