

# Military Grade Rack Mount LCD

## Rack Mount LCD

19" (9U)

### Specifications



Model Name	R19L100-RKA3ML
Viewable Size Image	19"
Active Display Area(mm)	376.32 (H) x 301.06 (V)
Pixel Pitch(mm)	0.294 (H) x 0.294 (V)
Number of Pixels	1280 x 1024
Contrast Ratio	1000:1 (typ.)
Display Color	16.7M (colors)
Brightness(cd/m <sup>2</sup> )	350 (typ.)
Viewing Angle(CR>=10)	-85~85(H); -80~80(V)
Synchronization Range	
Horizontal/Vertical	31.5~80.0KHz/60~75Hz
Recommended Resolution	1280 x 1024@60Hz, 75Hz
Signal Connector	15 pin D-Sub, 5 x BNCs, DVI-D, RS232
Power Source	AC 100~240 V, Universal, ±10% DC 24V, ±10%(Optional)
Power Consumption	41W typical, normal, operation
Power Management	VESA DPMS Compliant
Plug & Play	VESA DDC 1/2B
Optional Touch Screen	Resistive
Operating Temperature	-20°C to 60°C; -40°C~70°C (optional)
Storage Temperature	-30°C to 70°C



- Anti-Corrosion Housing / Fanless
- Compliant with MIL-STD-810G/F
- Flush Rack / Rack Mount Mechanical Design
- Convenient On-Screen Display Controls
- AC built-in Power input / Isolation DC 9~36V Power input (Optional)
- Built-in Light Sensor for auto brightness control
- Military Grade Power Connector (MIL-DTL-38999/1)
- Standard AR Glass
- EMI ITO Glass (Optional)
- 5-wire Resistive Touch (Optional)
- 5-wire Resistive Touch with EMI Mesh Coating (Optional)

### Environmental(MIL-STD 810F/G Compliance)

Vibration	MIL-STD-810F/G Method 514.5
Humidity	MIL-STD-810F/G Method 507.4
Transit Drop	MIL-STD-810F/G Method 516.5

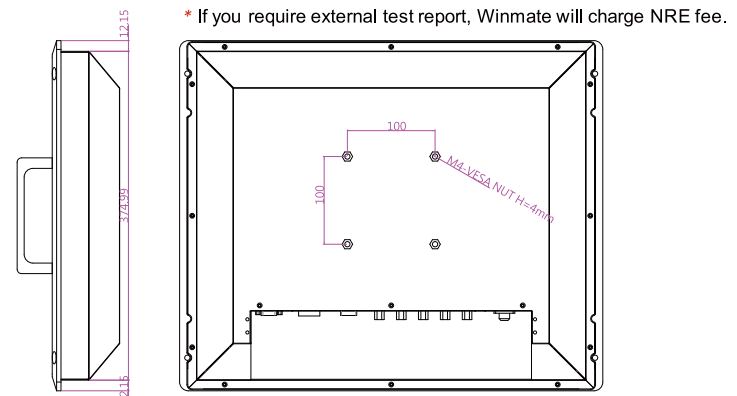
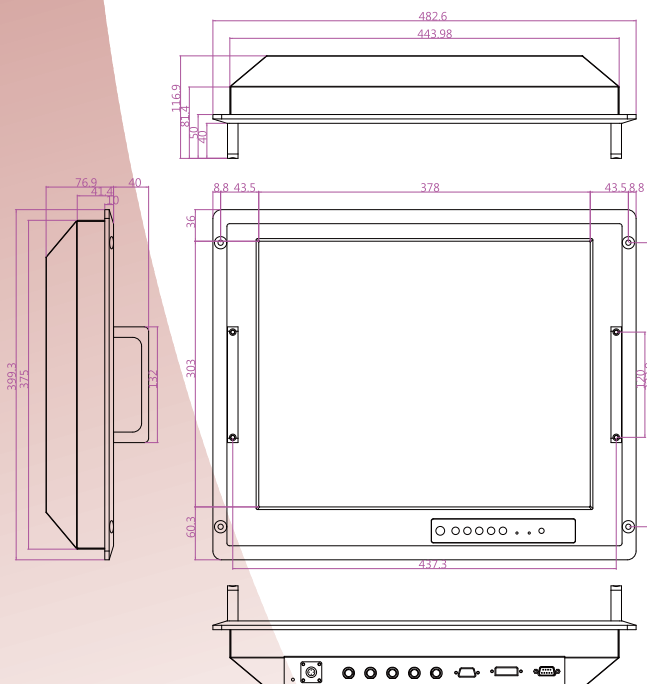
### Environmental(MIL-STD 461E/F Compliance)

RE	RE101 / RE102
CE	CE 101 / CE102

Optional with EMI Glass / Touch

RS	RS101 / RS103
CS	CS 101 / CS 106 / CS 109 / CS 114 CS 115 / CS 116

### Mechanical Drawing



\* If you require external test report, Winmate will charge NRE fee.

\* Note: this is a simplified drawing and some components are not marked in detail. Please contact our sales representative if you need further product information.