

R15IK3S-67C3(HB)

15" Intel® Core™ i5 G-WIN Full IP67 Series Panel PC



KEY FEATURES

- 7th Generation Intel® Core™ i5-7200U (kaby Lake) 2.5GHz (turbo to 3.1GHz)
- High Quality 15" Panel, 1024 x 768 resolution, 300 nits (Optional for 1000 nits)
- IP67 Dust/ Water proof design with VESA mount
- Aluminum Die-Casting Housing with Anti-Corrosion Treatments
- Build in ambient Light sensor
- Wide Range 9 to 36V DC Input with isolation
- Optional 6-60V DC Input, and Optional for Ignition On/Off delay
- 5 Wire Resistive Touch / Anti-Reflective Protection Glass (Optional)
- Optional HB/Sunlight Readable up to 1000 nits

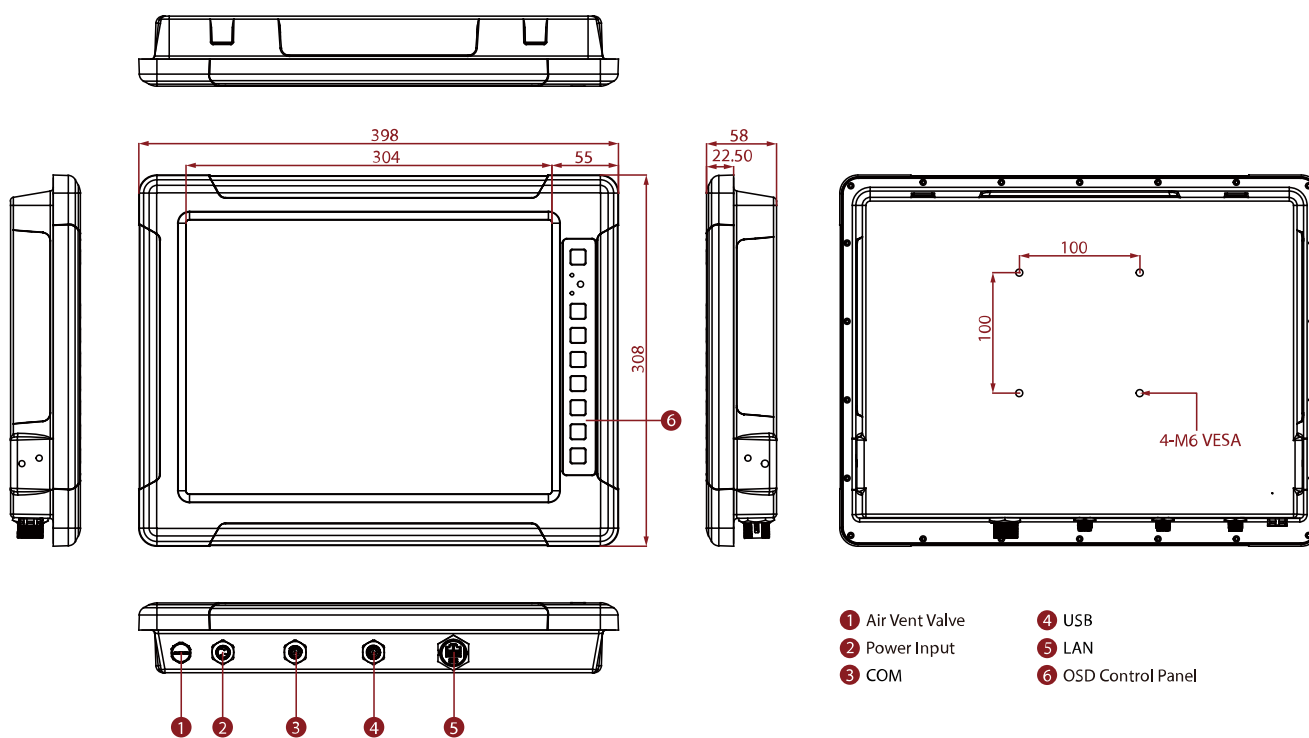


SPECIFICATIONS

System Specification			
Processor	Intel® Core™ i5-7200U (3M Cache, up to 3.10 GHz) Intel® Core™ i5-7300U (3M Cache, up to 3.50 GHz)	Memory	1 x SO-DIMM, DDR4 2133 MHz, 4GB 8GB (Optional) 16GB (Optional)
Storage	1 x M.2 2242 SSD 64GB M.2 2242 SSD up to 512GB (Optional)	Ethernet controller	Intel® Ethernet Controller I211-AT + Intel® Ethernet Connection I219-LM
Security	TPM 2.0	Operating System	Windows 10 IoT Enterprise (Optional) Linux Ubuntu 18.04 (Optional)
WLAN	802.11 a/b/g/n/ac (Optional)	BT	BT Support (Optional)
Display			
Resolution	1024x768	Size	15.0 inches
Contrast Ratio	2000:1	Panel Brightness	300 nits
View Angles	88,88,88,88	Touch / Glass	Resistive Touch Screen Bonding With Panel Protection Glass Without touch function (Optional)
Optional function	High brightness Panel for sunlight readable (Optional)		
Mechanical			
Dimension	398 x 308 x 58 mm	Mounting	VESA Mount Yoke Mount
Enclosure	Aluminum Housing	Cooling System	Fanless design
Environment			
Operating Humidity	10% to 90% (non-condensing)	Operating Temperature	-15~55°C
Storage Temperature	-30~70°C	Shock	30g for 18ms, 300m/s ²
Vibration	1.60/1.96/2.18 g rms for XYZ / 5-500Hz	IP rating	IP67
Certification			
Certification	CE, FCC Class B MIL810F/ IEC60068-2-27 for Vibration /Shock		
IO Ports			

USB Port	1 x M12 waterproof connector for 2 x USB2.0	Serial Port	1 x M12 waterproof connector for RS232
LAN	1 x waterproof Giga LAN RJ45 connector	Indicator	1 x LED Indicator for power 1 x LED Indicator for storage
Control			
Button	1 x Power Button 1 x Reset Button 1 x Lock / Unlock front key function button 1 x Auto Dimming / Manually button 1 x Day / Night Mode button 1 x Brightness Up button 1 x Brightness Down button 1 x LED indicator brightness adjustment button 1 x Light sensor		
Accessory			
Accessory	External open wire Power cable with waterproof connector External USB cable with waterproof connector External COM cable with waterproof connector External LAN cable with waterproof connector Waterproof caps RJ45 female-female converter Driver CD & Manual VESA screws	Optional Accessory	Yoke mount stand (Optional) 100~240V AC to DC Adapter with power cord (Optional)

DIMENSIONS UNIT:MM



NOTE

1. This is a simplified drawing and some components are not marked in detail.
2. Weight of the device varies by configuration.
3. Please contact our sales representative if you need further product information.
4. All specifications are subject to change without prior notice.
5. The product shown in this datasheet is a standard model. For diagrams that contain customized or optional I/O, please contact the Winmate Sales Team for more information.