

M101BT

10.1" Rugged Tablet PC



KEY FEATURES

- 10.1" 1280 x 800 IPS LED Panel with direct optical bonding
- Built-in Smart Card Reader
- Intel® Quad Core™ N2930 Bay Trail-M Processor
- IP65 waterproof and dustproof
- Optional 1D/2D Barcode Reader for data collection
- Optional extendable UHF RFID Reader
- Rated for extreme temperature use

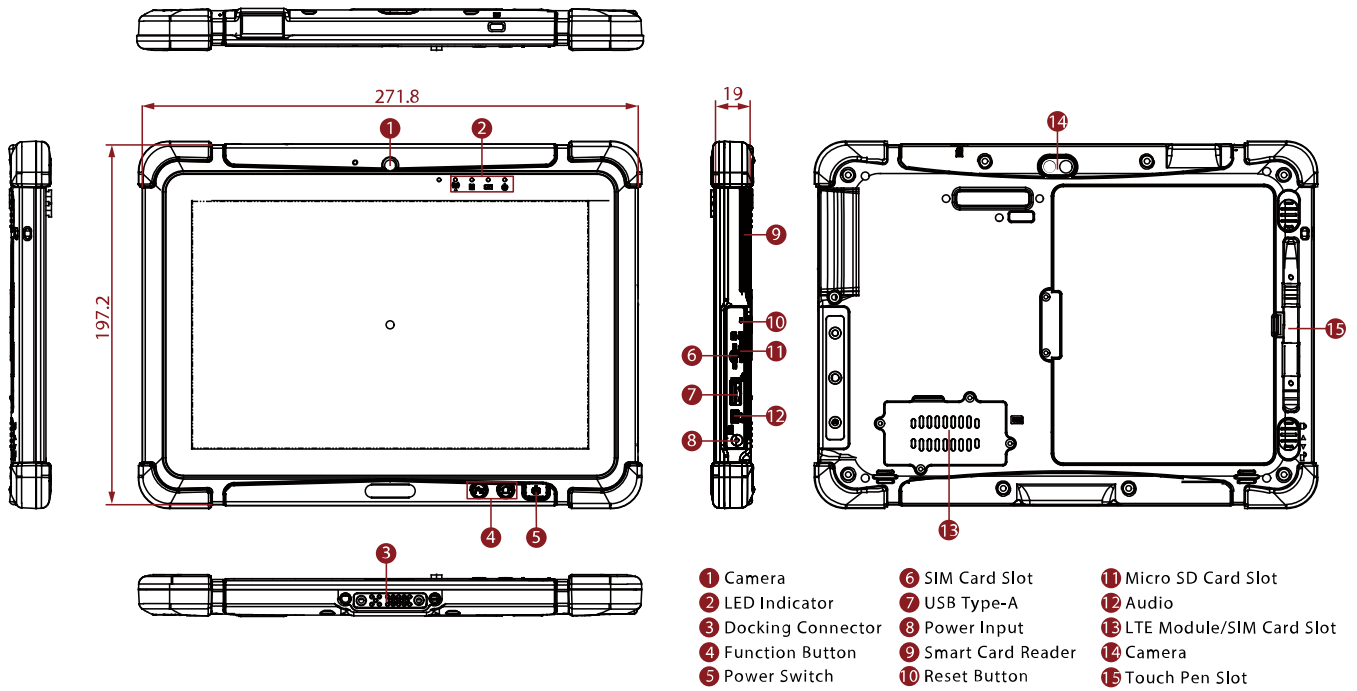


SPECIFICATIONS

Display			
Resolution	1280x800	Size	10.1 inches
Contrast Ratio	800:1	Panel Brightness	350 nits
View Angles	85,85,85,85	Type	Projected Capacitive Multi Touch
Touch Mode	Support Hand / Gloves and Rain Mode	Bonding	Optical Bonding for Sunlight Viewability
System Specification			
Processor	Intel Quad Core N2930 Bay Trail-M Processor 1.83 GHz	Memory	4GB DDR3L SDRAM(up to 8GB)
Storage	64GB mSATA solid state drive SSD Optional 256GB, up to 128GB additional storage with optional microSDXC card slot	Security	Password security for user and hard disk lock Trusted Platform Module (TPM) 1.2 Computrace theft protection agent
Operating System	Windows 10 IoT Enterprise Windows Embedded 8.1 Industry Pro Windows 7 Pro for Embedded System	WLAN	802.11 a/b/g/n
BT	Support	WWAN	4G LTE (Optional)
GNSS	GPS	RFID	Optional HF RFID 13.56 MHz reader Optional UHF RFID • EPCglobal Gen2 (ISO 18000-6C) protocol (IP-X and ISO 18000-6B optional) • Read Range: 3+ meters for 2x8 cm UHF tags in unobstructed space
Sensors	Light sensor/ g-sensor / Gyro / E-compass	Smart Card Reader	Optional
Camera			
Front Camera	2MP Front Camera	Rear Camera	5MP Rear Camera with auto-focus and LED light
Mechanical			
Dimension	271.8 x 197.2 x 19 mm (10.7 x 7.76 x 0.75 inches)	Weight	1.2 kg (2.7 lbs) with standard battery, 1.4 kg (3.1 lbs) with optional high capacity battery
Cooling System	Fanless design		
IO Ports			
USB Port	1 x USB3.0	SD Card Slot	1 x Micro SD Slot
SIM Card Slot	1 x SIM card slot	Video	1 x Micro HDMI(Optional)
Audio	1 x Audio combo 3.5mm audio combo jack (Mic in or Line Out) Single Mic Built-in Microphone Dual Speaker	Expansion Port	1 x Expansion Connector for USB2.0 / Full RS232 (Optional)

LAN	1 x 30-pin Combo connector (Gigabit-LAN/RS232)	Indicator	4x LED Indicator for Power, Battery, HDD, RF status
Docking Connector	1 x 19-pin docking connector		
Environment			
Operating Humidity	10% to 90% RH, non-condensing	Operating Temperature	-20°C to 60°C (AC mode), -10°C to 50°C (Battery mode)
Storage Temperature	-30°C to 70°C (-22°F to 158°F)	Shock	MIL-STD-810G Method 516.6 Procedure I
Vibration	MIL-STD-810G Method 514.6 Procedure I	IP rating	IP65 certified, dustproof and waterproof
Drop	MIL-STD-810G Method 516.6, 4 ft		
Certification			
Certification	CE, FCC,UL,PTCRB,Verizon		
Security Function			
SOTI MobiControl	Compliance	Kensington Lock	Support
Control			
Button	1 x Power, 1 x Home, 2 x volume key, 2 x Programmable Function Keys		
Power			
Battery	7.4V, typ. 5140 mAh Li-Polymer Battery (2S1P) 7.4V, typ. 10280 mAh Li-Polymer Battery (2S2P, optional)	Battery Operating Time	Standard. Battery: 8 hours High Capacity Battery: 16 hours
Power Rating	12-19V DC	Adapter	100-240V, 50-60Hz / 19V DC
Accessory			
Accessory	Adapter and Power Cord Capacitive Stylus Standard Battery	Optional Accessory	Desk Dock Vehicle Dock (without VGA output) Vehicle Cradle Vehicle Charger High Capacity Battery Battery Charger Smart Card Reader UHF RFID Reader VESA Mount Kit Hand Strap Shoulder Strap Carry Bag
Barcode Scanner			
Barcode Scanner	Optional 1D/2D barcode reader		

DIMENSIONS UNIT:MM



NOTE

1. Total usable memory will be less dependent upon actual system configuration.
2. TPM 1.2 available upon request.
3. Computrace theft protection and SOTI are available upon request
4. Length measurements do not include protrusions. Weight varies with options and a digitizer pen.
5. The drop test with a high-capacity battery must come with a hand strap.
6. Measured at dimming LCD brightness. Varies depending on the usage conditions, or when an external device is attached.
7. Accessories and integrated options may vary depending on your configuration.
8. This is a simplified drawing and some components are not marked in detail.
9. The product shown in this datasheet is a standard model. For diagrams that contain customized or optional I/O, please contact the Winmate Sales Team for more information.