

EACIL67

IoT Gateway EAC Mini Full IP67



KEY FEATURES

- Intel® Apollo Lake N3350, 1.1 GHz
- Full IP67
- USB Type-C Port featuring Alt Mode: DP A/V output, USB Data, Power Delivery
- Fanless cooling system
- Suitable for smart factory and outdoor applications



qualified
device
Internet of Things



SPECIFICATIONS

System Specification

Processor	Intel® Celeron® N3350 (2M Cache, up to 2.4 GHz) Intel® Pentium® N4200 (2M Cache, up to 2.5 GHz) (Optional)
Memory	4GB LPDDR3 1866 MHz
Storage	eMMC: Onboard 64 GB mSATA SSD 64GB (Optional)
Ethernet controller	2 x Intel® Ethernet Controller I210-AT
Security	TPM 2.0
Operating System	Windows 10 IoT Enterprise (Optional) Linux Ubuntu 18.04 (Optional)
WLAN	802.11 a/b/g/n/ac (Optional)
BT	BT Support (Optional)
WWAN	WWAN (Optional)

Mechanical

Dimension	100 x 115 x 31 mm
Mounting	Desk Mounting & Wall Mounting VESA Mounting (Optional)
Enclosure	Metal Housing
Cooling System	Fanless design

Environment

Operating Humidity	10% to 90% (non-condensing)
Operating Temperature	-20~60°C
Storage Temperature	-30~70°C
Shock	Operating, IEC 60068-2-27
Vibration	Operating, IEC 60068-2-64
IP rating	IP67

Certification

Certification	CE, FCC
----------------------	---------

IO Ports

USB Port	1 x M12 Waterproof USB2.0 1 x M12 Waterproof USB Type-C[Alt Mode]: -Display Port A/V output -USB data -Power Delivery up to 15W(5V/3A)
Expansion Port	mPCIe: 1 x Full-size mPCIe slot
LAN	2 x Waterproof Giga LAN RJ45 Connector
Indicator	1 x LED Indicator for power
mini PCIe	1 x Mini PCIE

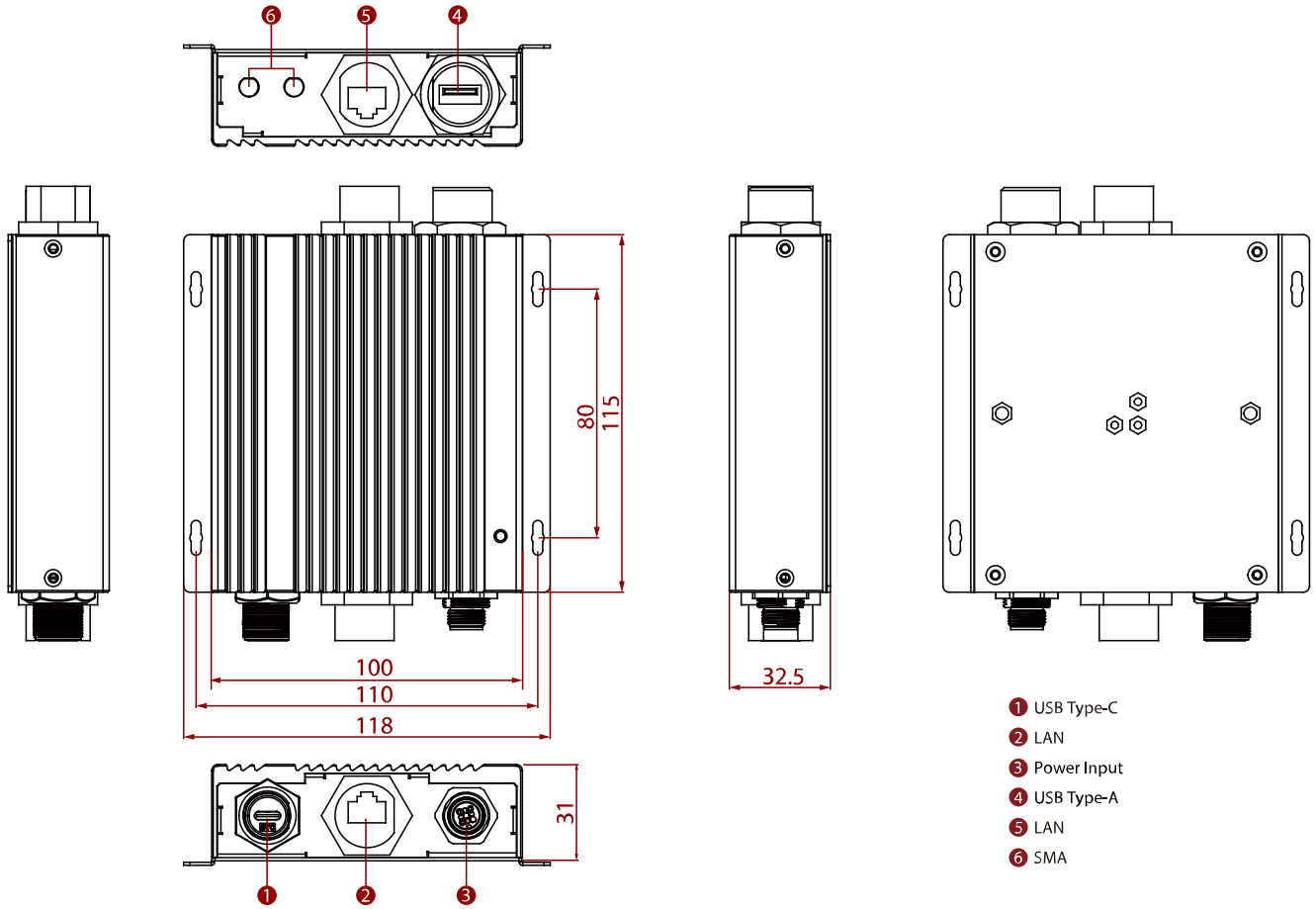
Accessory

Accessory	Quick Start Guide Driver CD M12 to Open Wire DC Cable WLAN External Antenna (For EACIL67-101-A464) VESA Mount Kit (Optional) M12 to Open wire DC with CANBUS Cable (Optional) Waterproof USB Type-C to Standard USB Type-C Cable (Optional) Waterproof USB Type-C to Lockable USB Type-C Cable (Optional) Waterproof RJ45 LAN to Standard RJ45 LAN Cable (Optional) Waterproof USB Type-A male to Standard USB Type-A female Cable (Optional)
------------------	--

Power

Power Rating	9V~36V DC, 2-Pin Terminal Block
Adapter	12V 36W

DIMENSIONS UNIT:MM



NOTE

1. This is a simplified drawing and some components are not marked in detail.
2. Please contact our sales representative if you need further product information.
3. The product shown in this datasheet is a standard model. For diagrams that contain customized or optional I/O, please contact the Winmate Sales Team for more information.