

# TPM-3212

Arestech

Industrial 12.1" LED Projected Capacitive  
Multi-touch Display



## Features

- 12.1" LED LCD Panel up to 1024 x 768 Resolution
- 5-wire Resistive / Projected Capacitive Touch Technology
- 12-24 V DC Power Input with Connector
- Combined with RS-232 and USB Touch Interfaces
- -20~60° C Operating Temperature
- Panel and VESA Mounting

## Applications

- Embedded HMI Display System
- Factory / Manufacturing Automation
- ATM / Self-service / Kiosk Applications
- Vending Machine / Ticketing Machines

## → Packing List

Description
1 x TPM-3212 / TPM-3112
1 x Driver CD
1 x USB Cable
1 x VGA Cable
1 x Power Adapter (AC-to-DC, 12 V @ 5 A, 60 W)
6 x Panel Mounting Screws

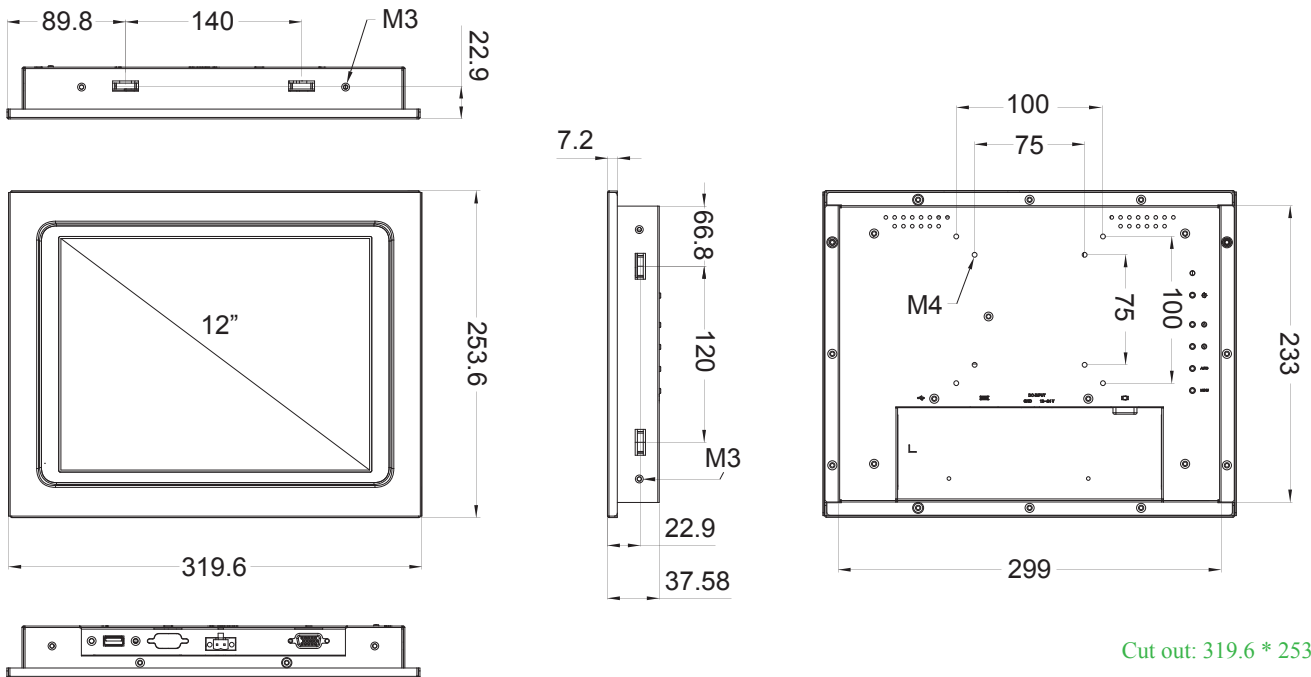
## → Optional Items

Part No.	Description
ACS-PS-US	Power Cable 3-pin, 180 cm, USA Type
ACS-PS-EU	Power Cable 3-pin, 180 cm, Euro Type
ACS-PS-CN	Power Cable 3-pin, 180 cm, China Type
ACS-100-STD	VESA Table Stand

## → Ordering Information

Part No.	Description
TPM-3212P-A2	12.1" XGA Industrial Ultra-slim Projected Capacitive Touch Display
TPM-3212R-A2	12.1" XGA Industrial Ultra-slim Resistive Touch Display
TPM-3112R-A2	12.1" XGA Industrial Ultra-slim Resistive Touch Open Frame

## → Dimensions



Cut out: 319.6 \* 253.6mm

## → Specifications

Model		TPM-3212P	TPM-3212R
Display	Panel Size	12.1" LED LCD Panel	
	Resolution	1024 x 768 (XGA)	
	Viewing Angle	80 x 80 (H) x 65 x 75 (V)	
	Brightness	450 (cd/m2)	
	Color Support	16.2 M /262 K colors	
	Contrast Ratio	700:1	
	Response Time	35 (msec)	
Touchscreen	Type	Projected Capacitive	5-Wire Resistive
	Surface Hardness	7 Mohs	3 Mohs
	Durability	-	10 million touches
	Transparency	90% (±3%)	80% (±3%)
I/O Interface	Video Interface	1 VGA	
	Touch Interface	Projected Capacitive (for USB only) / 5-Wire Resistive (for USB and RS-232)	
OSD Control	Function Key	5 Keys: Menu, Up, Down, Auto Adjust, Monitor Power on/off Menu Functions: Brightness, Contrast, Color Adjust, Color Temp, Auto Color, Language	
Power	Power Connector	Phoenix Terminal Block, 2 pins	
	Power Input	12-24 V DC power input, Single Power Source	
	Power Consumption (Typical)	6.8 W	
Environment	Operating Temperature	-20~60° C (-4~140° F)	
	Storage Temperature	-30~70° C (-22~158° F)	
	Humidity	5~95% @ 40° C, non-condensing	
	Vibration	5-500 Hz, 0.026 G <sup>2</sup> /Hz, 2.16 Grms, X, Y, Z, 1 hour per axis	
General	Ingress Protection	IP54	
	Dimensions (W x H x D)	319.6 x 253.6 x 36.8 mm (12.58" x 9.98" x 1.45")	
	Weight	2.63 kg (5.8 lb)	
	Operating System	Windows CE/XP/7/8.1/10, WES7, WE8S, Linux Fedora, Ubuntu	