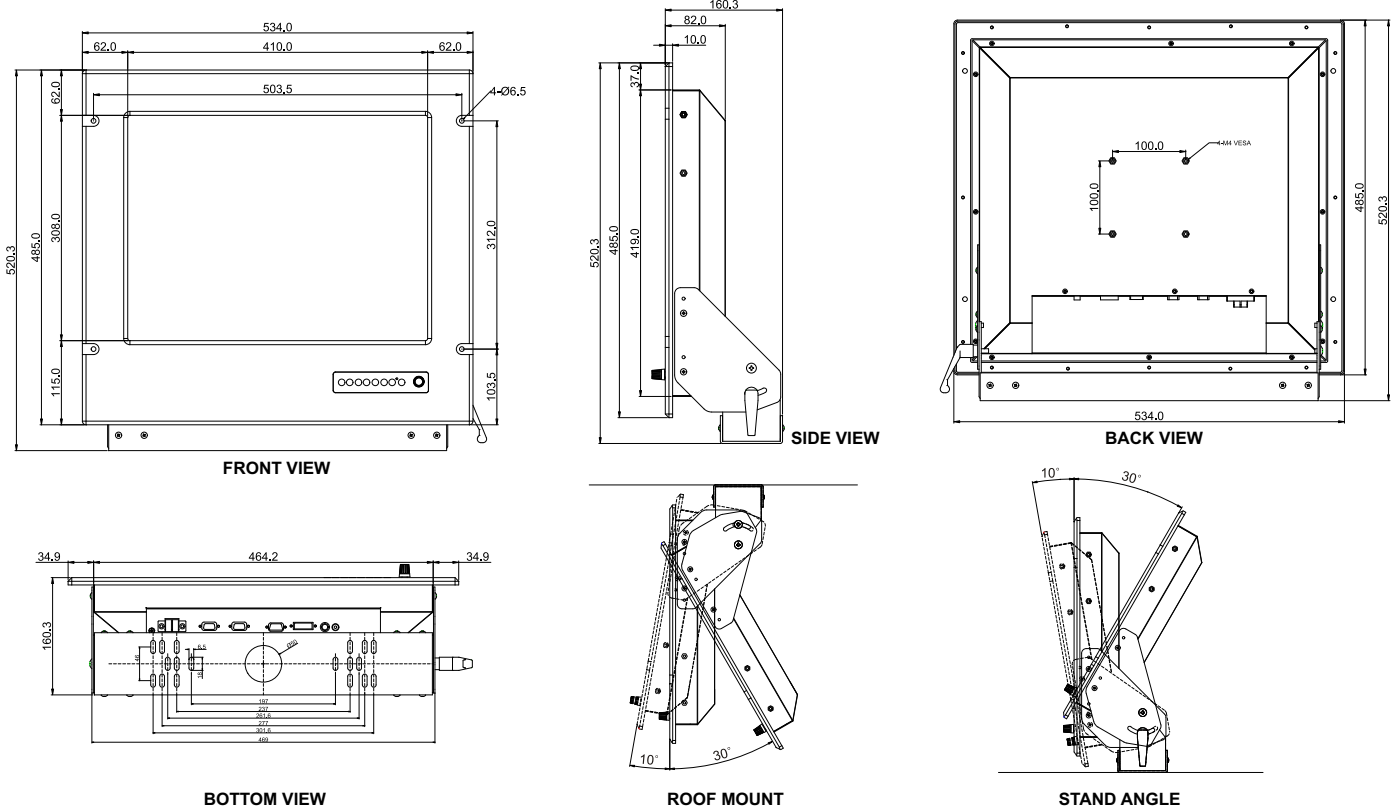




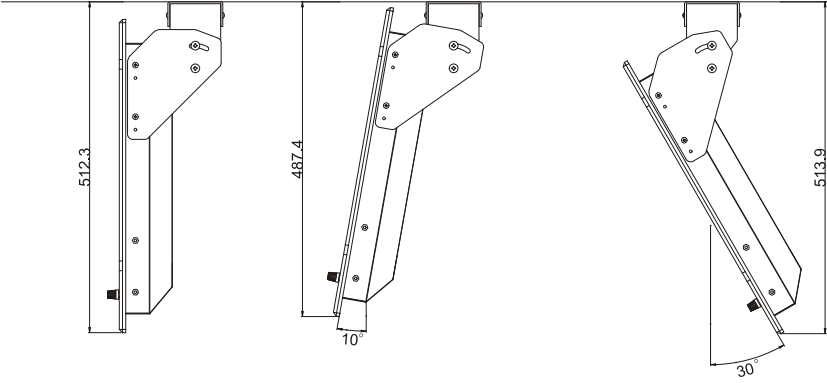
20.1" Marine Bridge System Display

Model # R20L100-MRA2

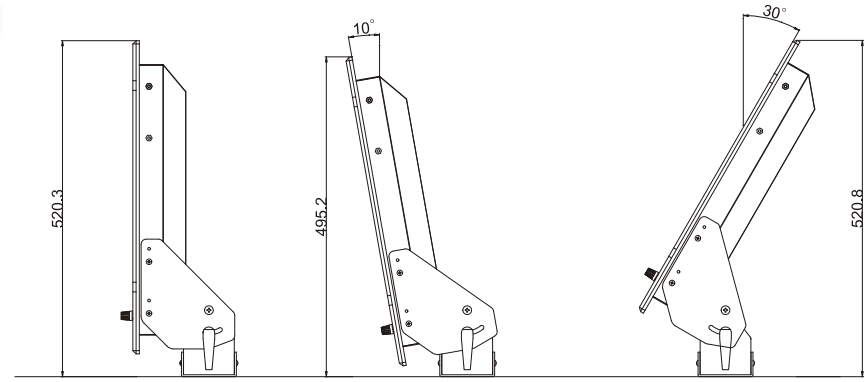
Mechanical Design with Robust Bracket (options)



ROOF MOUNT



STAND ANGLE



All Dimensions are ±0.5 mm

* Note: this is a simplified drawing and some components are not marked in detail. Please contact our sales representative if you need further product information.



Rev.	Reasons	Revised Date
1.0	Add holes for brackets on back cover*	Nov-17-08
1.1	Spec change	Aug-06-10
1.2	Spec change	Feb-16-11

* Extra charge is required for back covers with bracket holes for products purchased before end of Nov. 08'

Certification and Approvals : CE, FCC

Note: All Specifications are subject to change without prior notice!

Revised Date : 02/16/2011