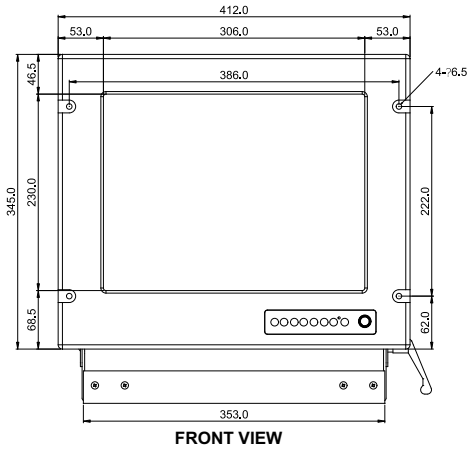




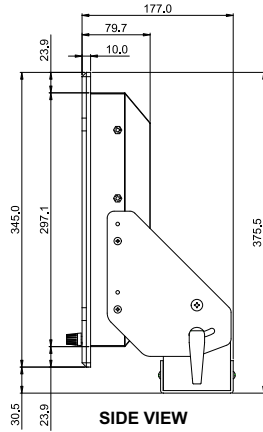
15" Marine Bridge System Display

Model # R15T600-MRA1

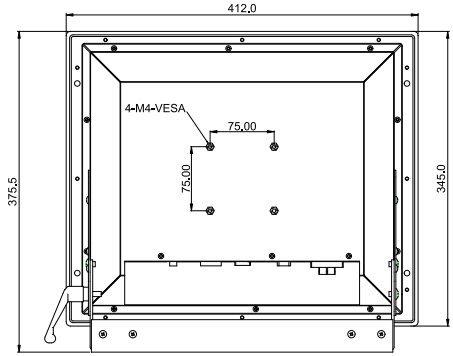
Mechanical Design with Robust Bracket (options)



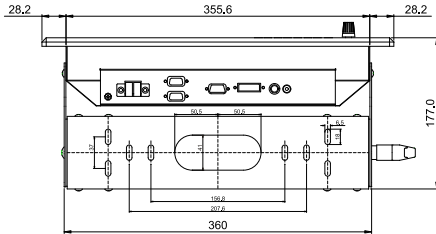
FRONT VIEW



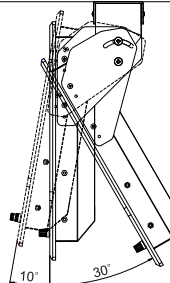
SIDE VIEW



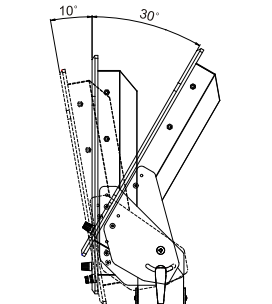
BACK VIEW



BOTTOM VIEW

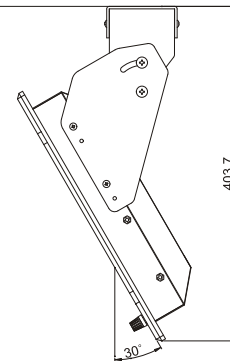
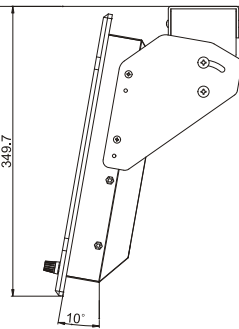
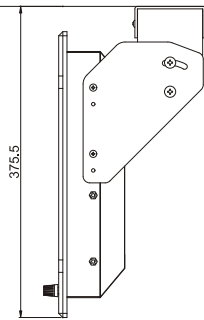


ROOF MOUNT

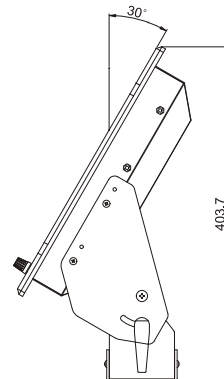
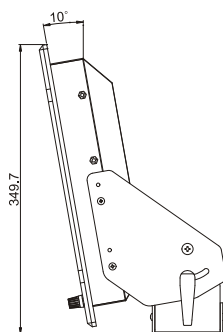
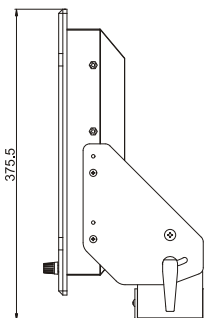


STAND ANGLE

ROOF MOUNT



STAND ANGLE



All Dimensions are ±0.5 mm

* Note: this is a simplified drawing and some components are not marked in detail. Please contact our sales representative if you need further product information.

Certification and Approvals : CE, FCC



* Extra charge is required for back covers with bracket holes for products purchased before end of Nov. 08'

| Rev. | Reasons | Revised Date |
|------|---------------------------------------|--------------|
| 1.0 | Add holes for brackets on back cover* | Nov-17-08 |
| 1.1 | Spec change | Feb-16-11 |