

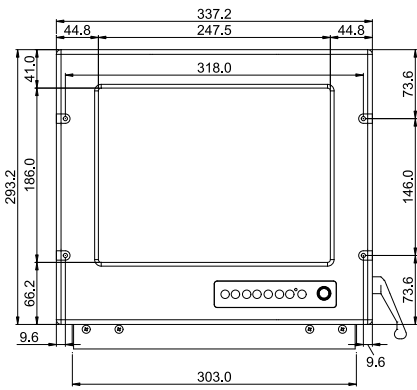




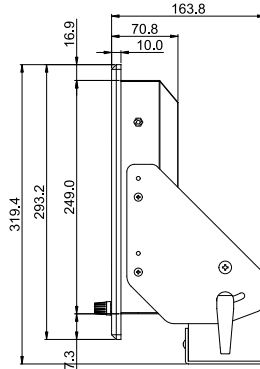
# 12.1" Marine Bridge System Display

Model # R12L600-MRM2

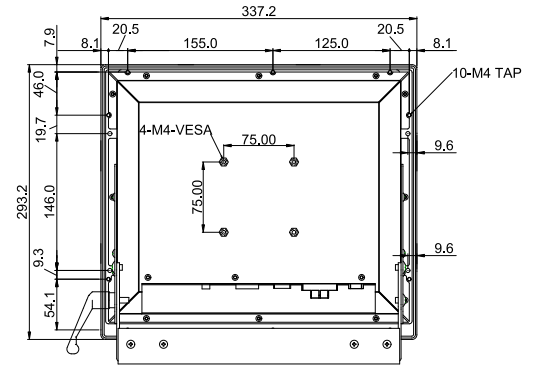
## Mechanical Design with Robust Bracket (options)



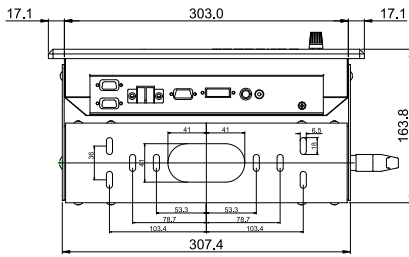
FRONT VIEW



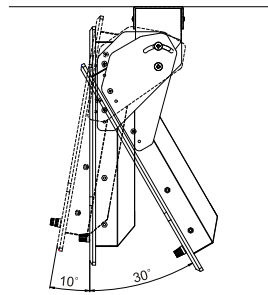
SIDE VIEW



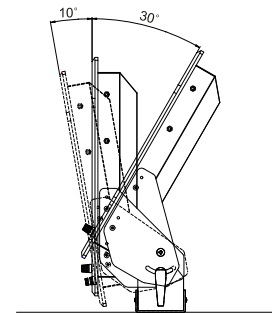
BACK VIEW



BOTTOM VIEW

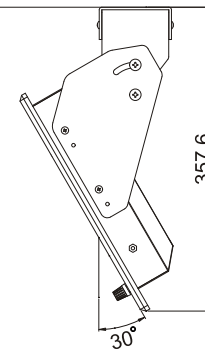
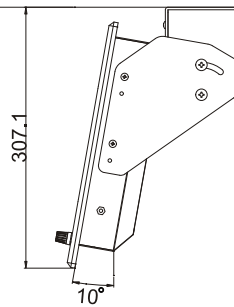
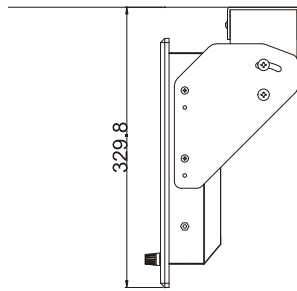


ROOF MOUNT

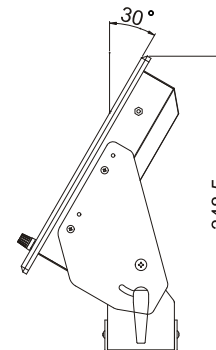
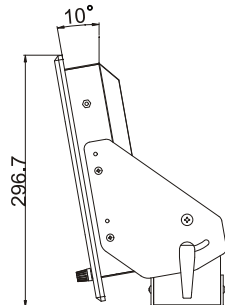
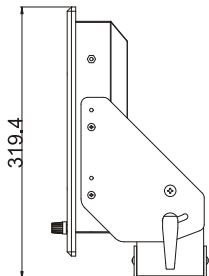


STAND ANGLE

### ROOF MOUNT



### STAND ANGLE



All Dimensions are  $\pm 0.5$  mm

\*Note: this is a simplified drawing and some components are not marked in detail. Please contact our sales representative if you need further product information.

| Rev. | Reasons                               | Revised Date |
|------|---------------------------------------|--------------|
| 1.0  | Add holes for brackets on back cover* | Nov-17-08    |
| 1.1  | Spec change                           | Feb-16-11    |

Certification and Approvals : CE, FCC



\*Extra charge is required for back covers with bracket holes for products purchased before end of Nov. 08'

Note: All Specifications are subject to change without prior notice!

Revised Date : 02/16/2011