

1 2 3 4 5

A

B

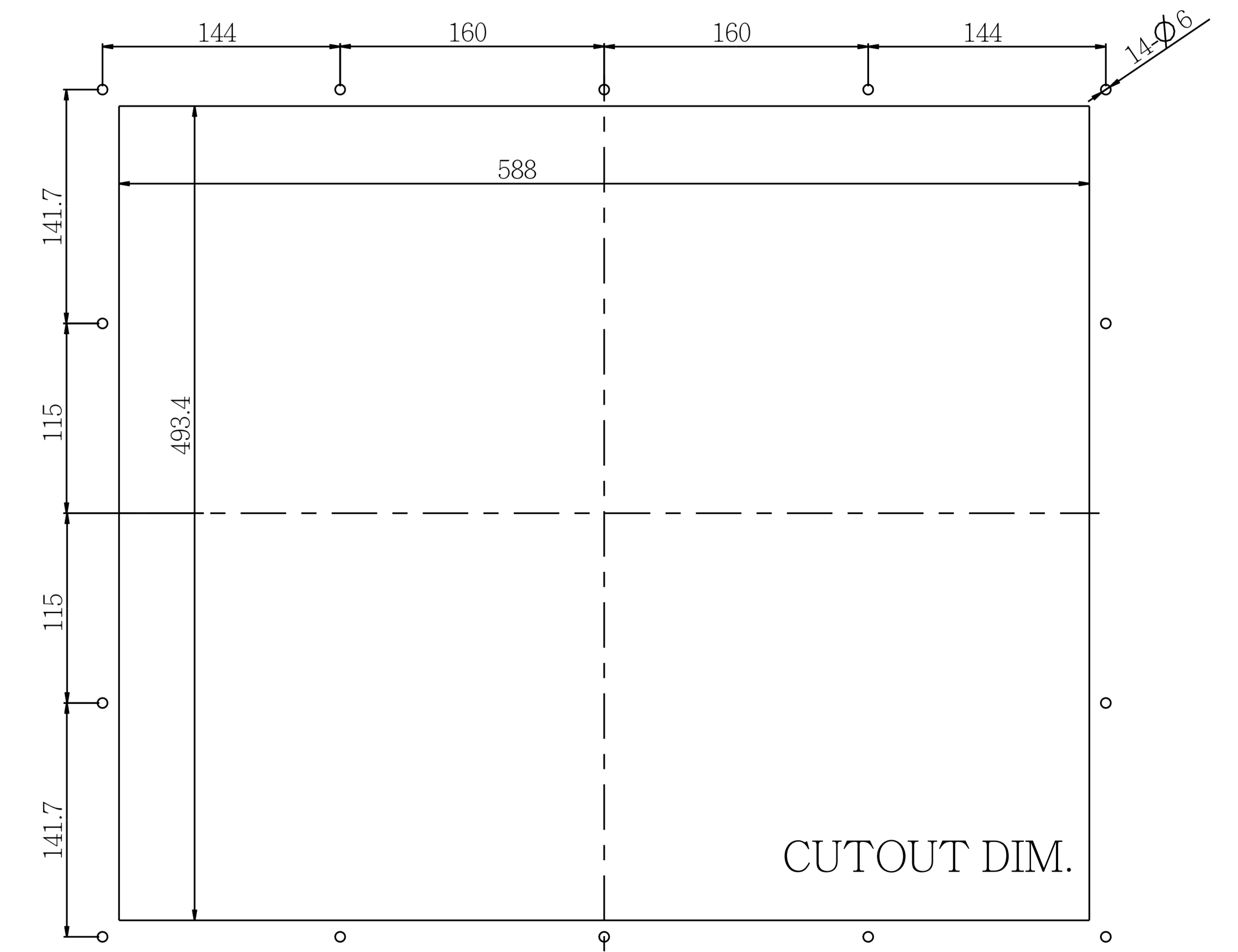
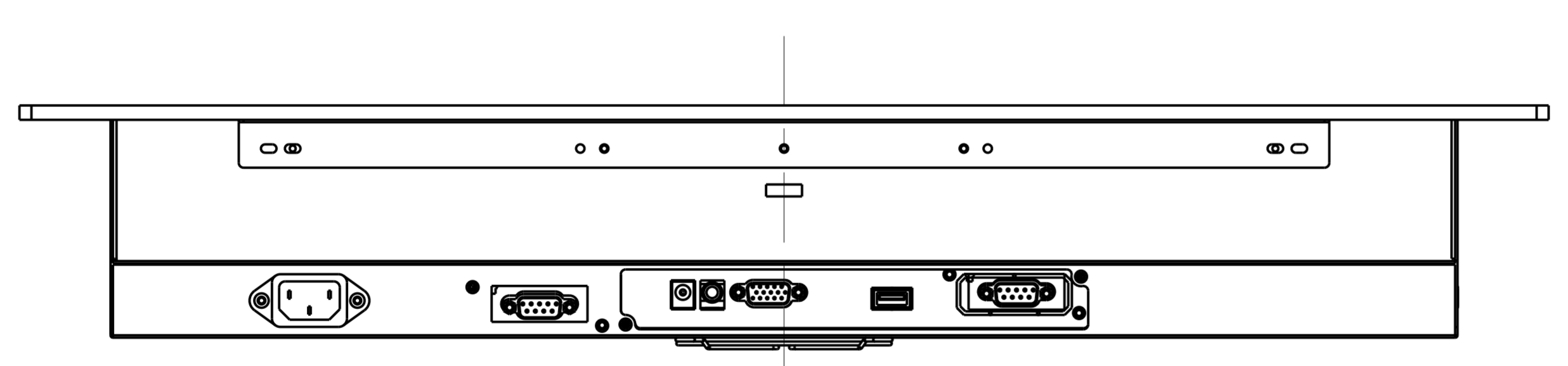
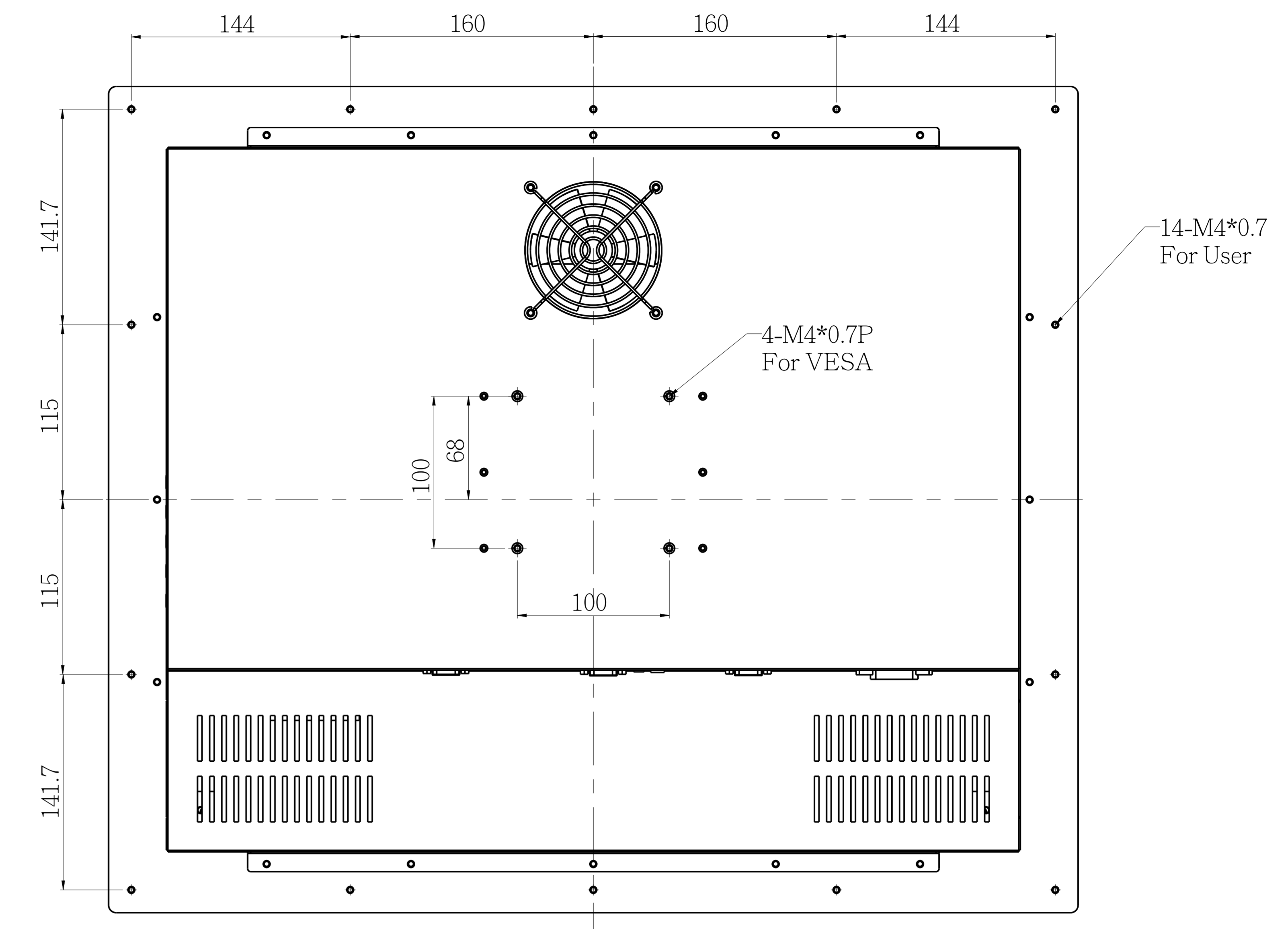
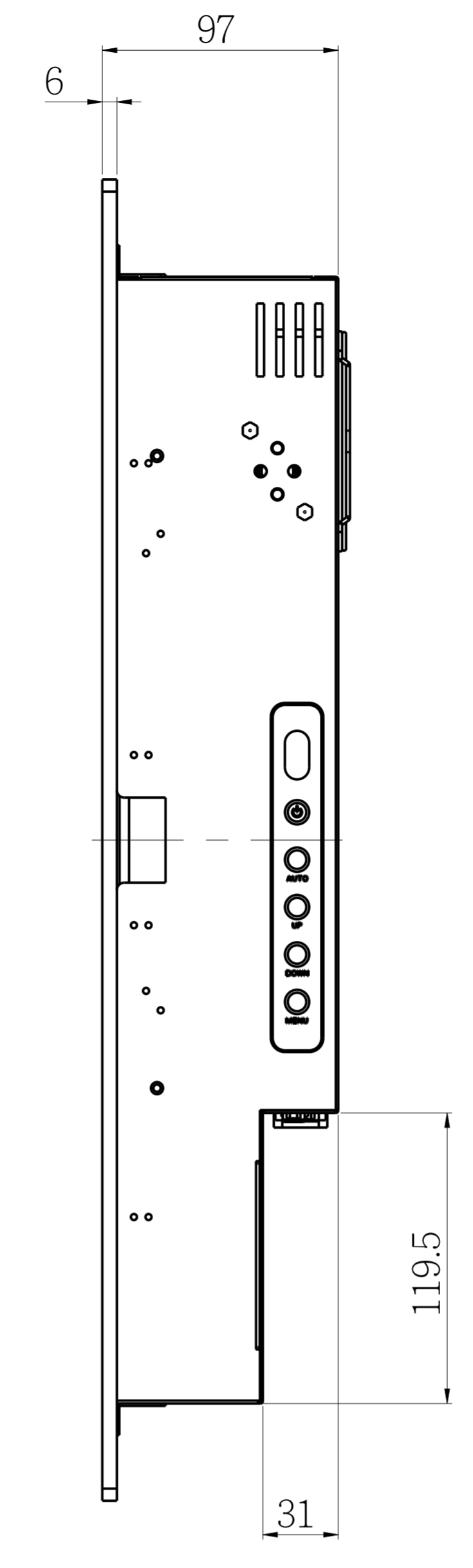
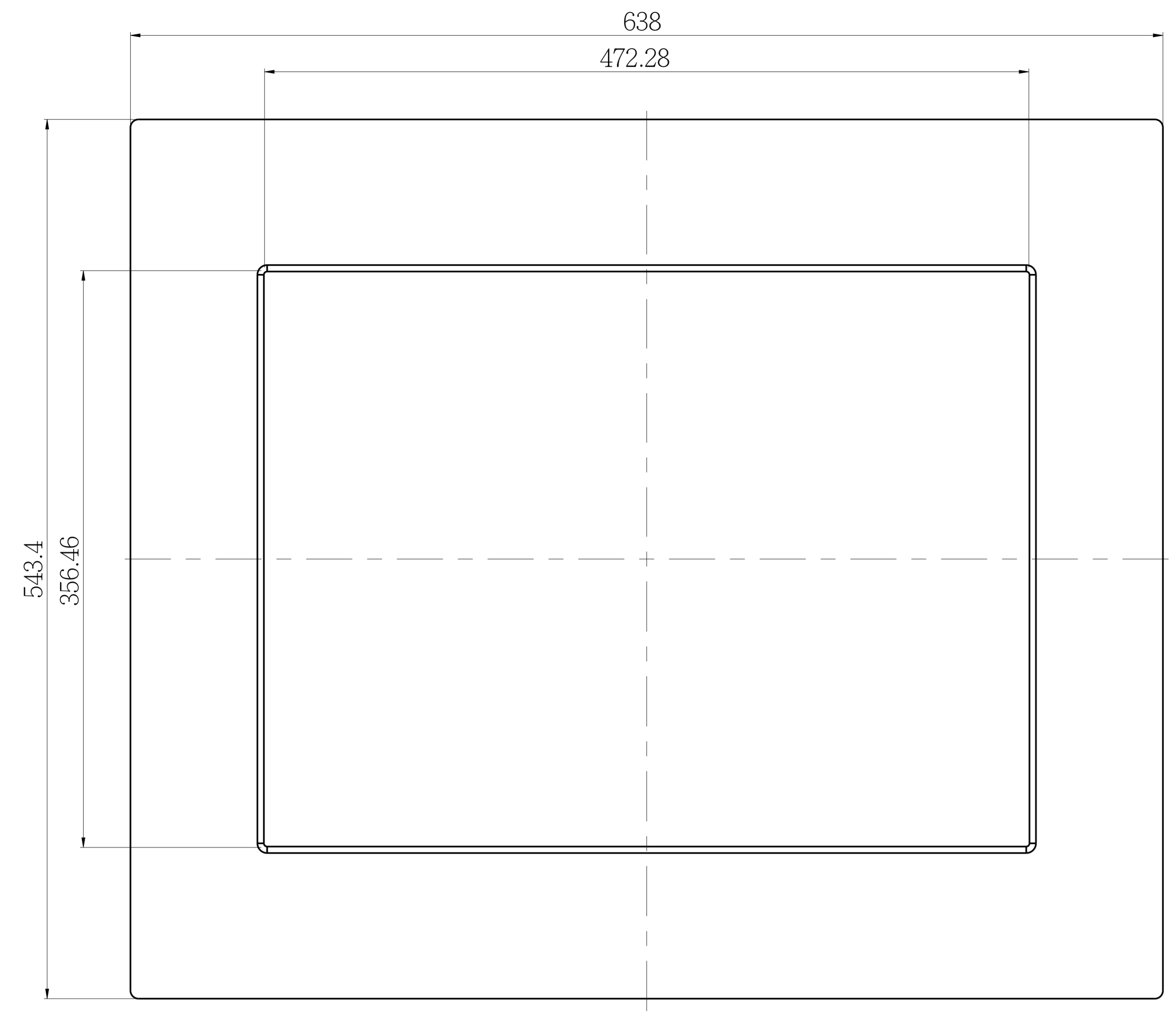
C

A

B

C

D



D	AD/BOARD		MODEL	PM2316			泓瑜科技有限公司 WINSONIC TECH. CO., LTD.					
	INVERTER											
	KEY PAD						PART NAME	ASSEMBLY			SCALE	0.500
	PANEL:	VERSION										
	V1	MATERIAL	METAL	DATE	2012-Apr-20							

1 2 3 4 5