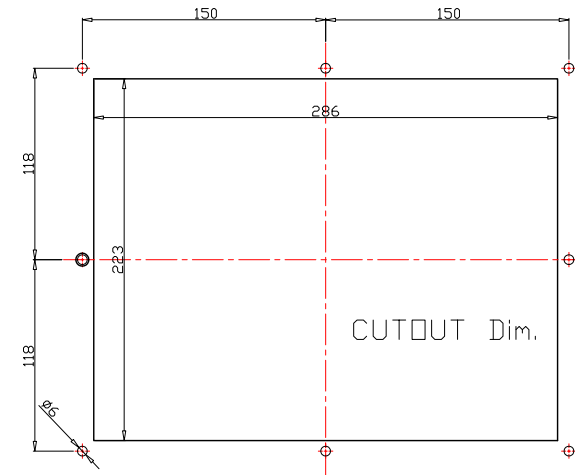


VIEW A



AD/BOARD		MODEL	PM1045			泓瑜科技有限公司 WINSONIC TECH. CO., LTD.					
INVERTER											
KEY PAD											
PANEL:		VERSION	MATERIAL	METAL	DATE	2012-Feb-22	PART NAME	Assembly			
		D					APPROVED	DRAWN	JACK		SCALE
										DWG SIZE	MM

1

2

3

4

5