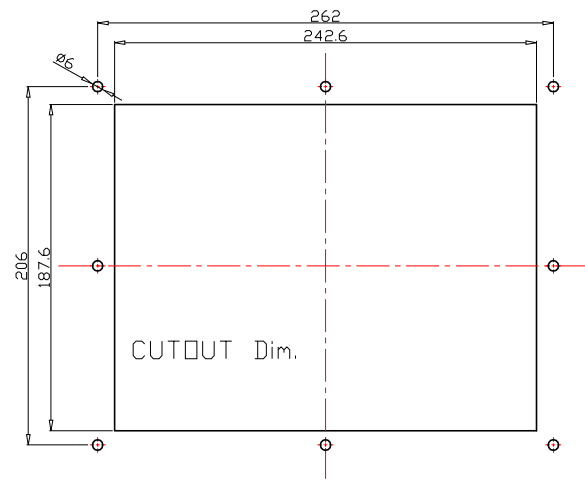


VIEW A



AD/BOARD		MODEL	PM0846		泓瑜科技有限公司 WINSONIC TECH. CO., LTD.					
INVERTER										PART NAME
KEY PAD					VERSION	DATE	2012-Mar-09	APPROVED		DRAWN
PANEL:		D	MATERIAL							