

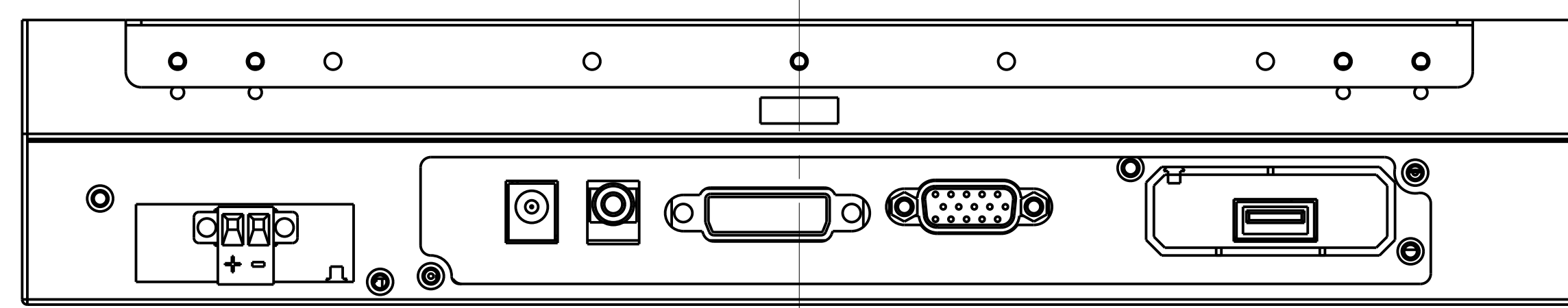
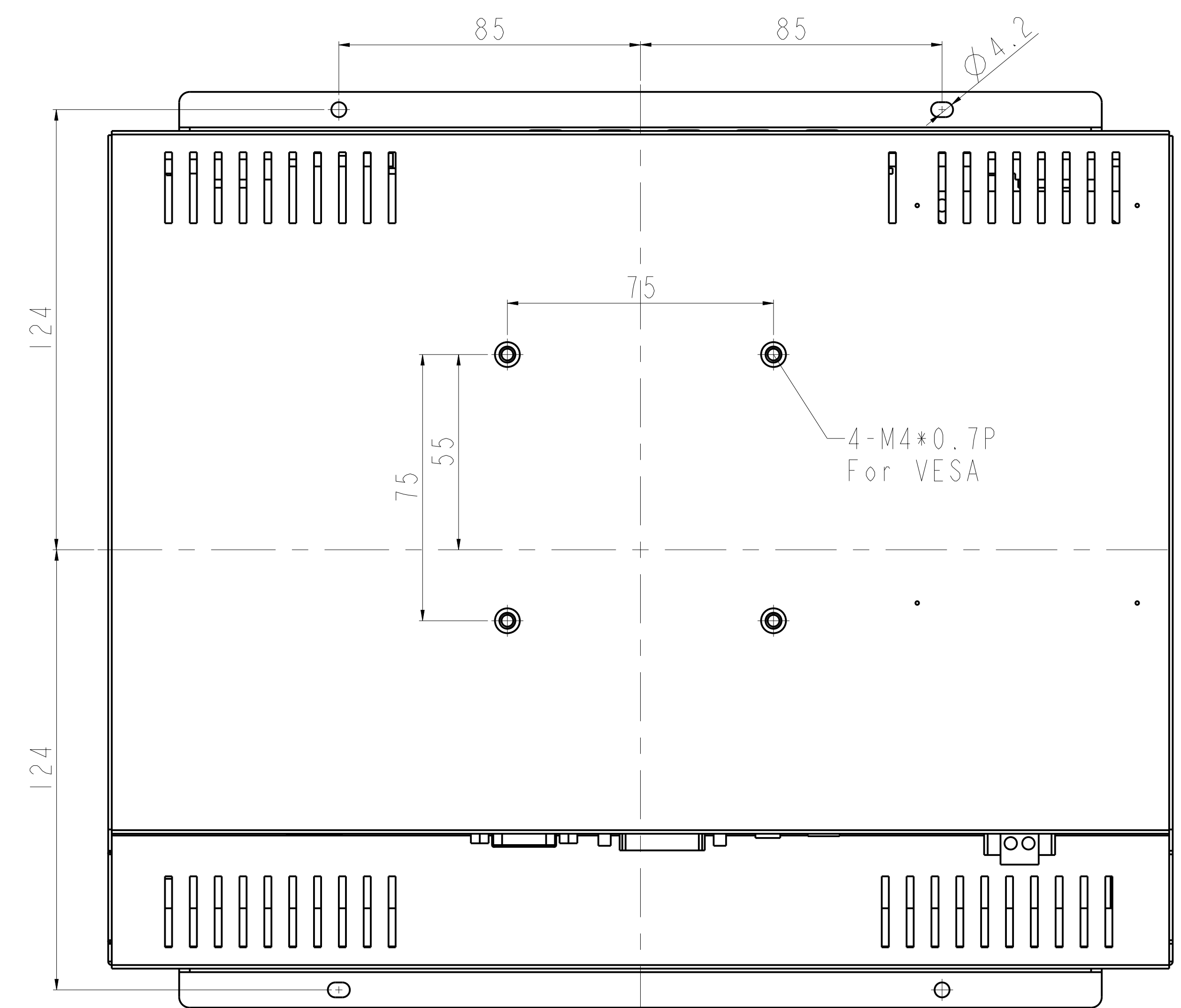
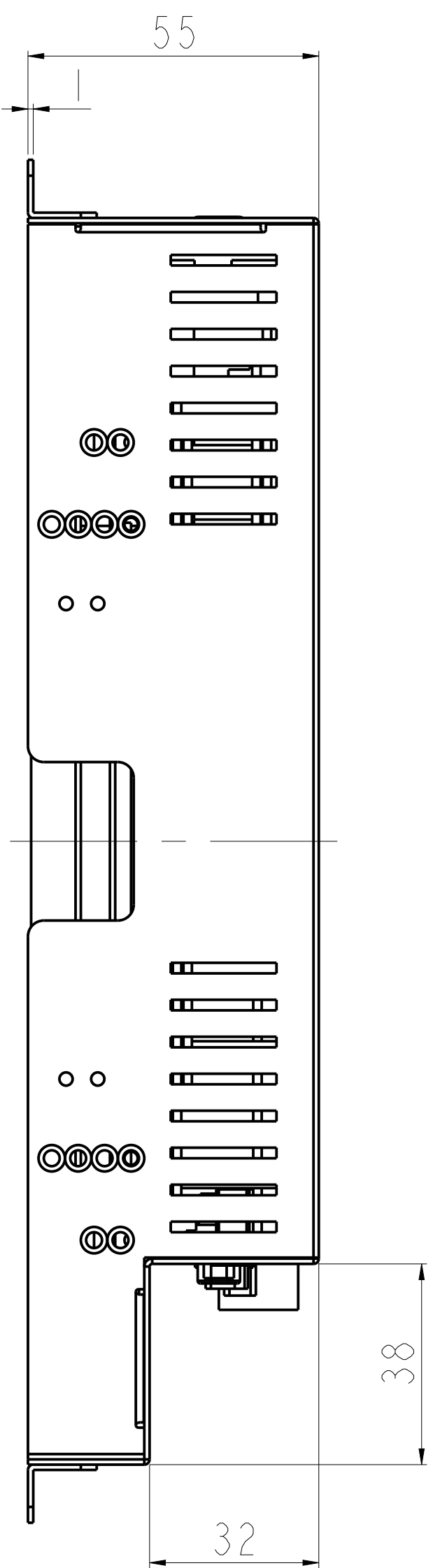
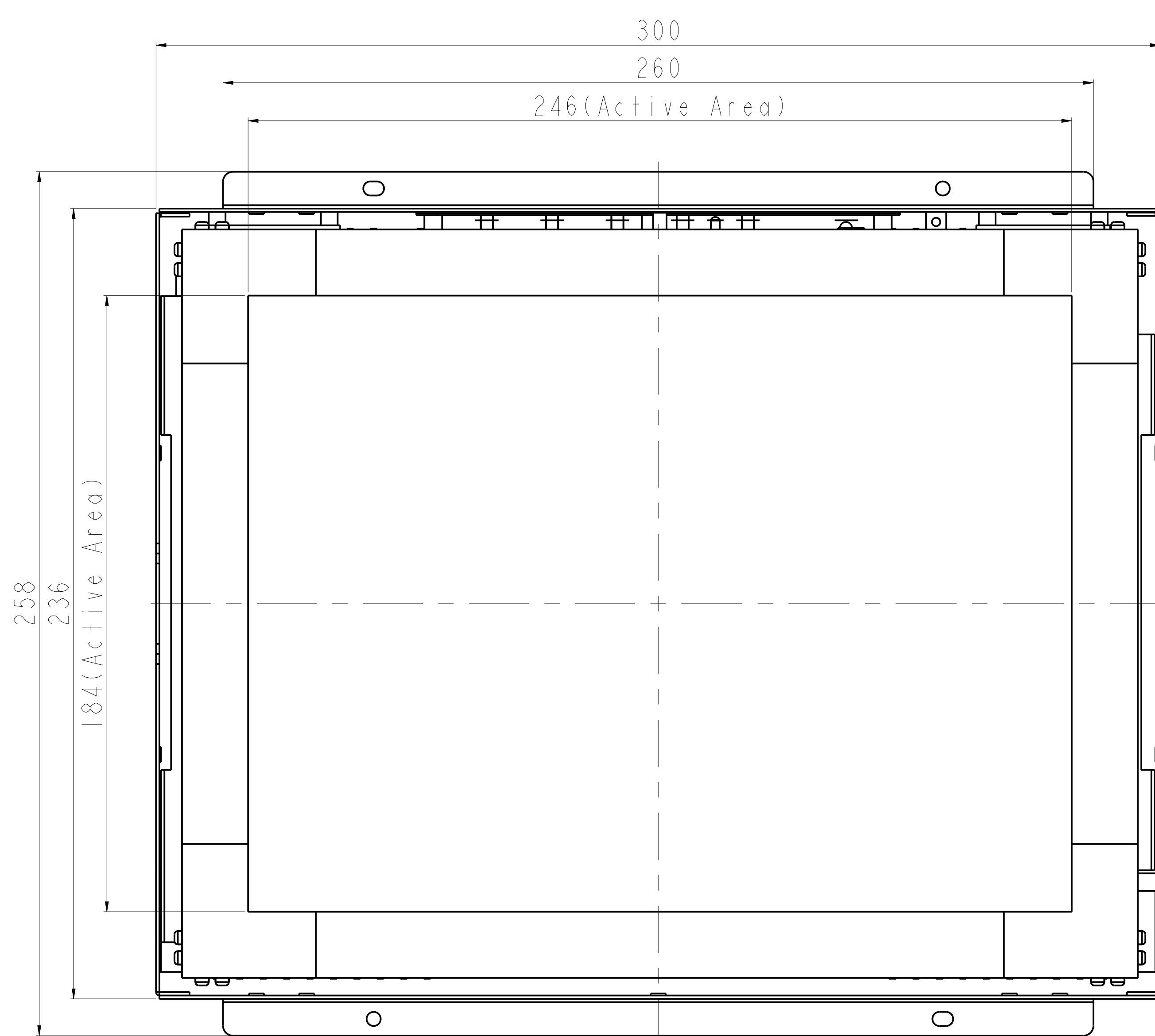
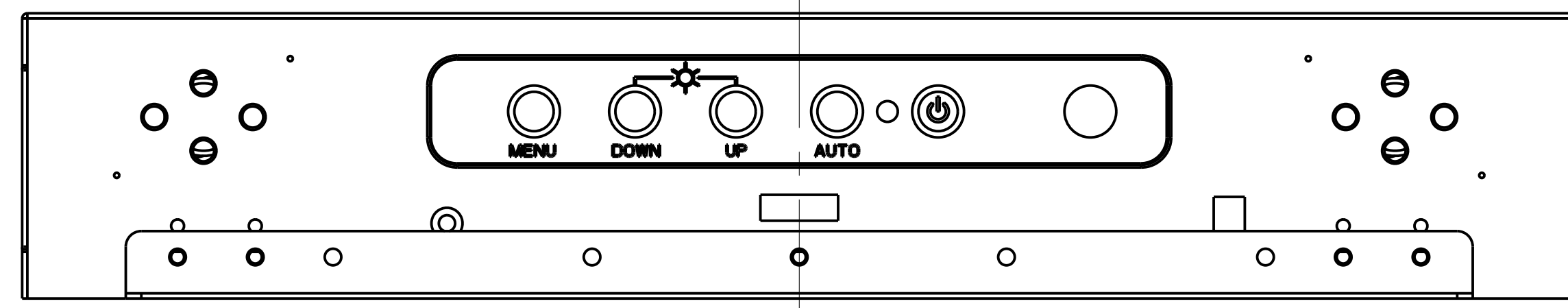
I 2 3 4 5

A

B

C

D



AD/BOARD		MODEL	OF1205			Winsonic Electronics. Co., Ltd.				
INVERTER										
KEY PAD										
PANEL :	VERSION	MATERIAL	METAL	DATE	2013-Jul-31	PART NAME	ASSEMBLY			
	V1					APPROVED	DRAWN	Chris	SCALE	1.000
									UNIT	MM

I 2 3 4 5