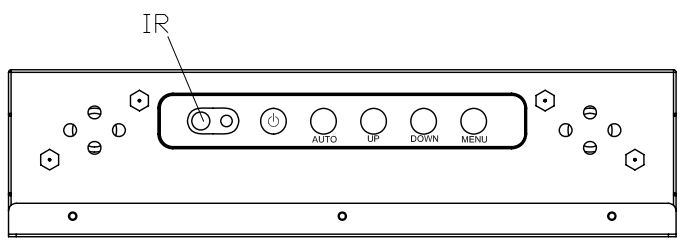
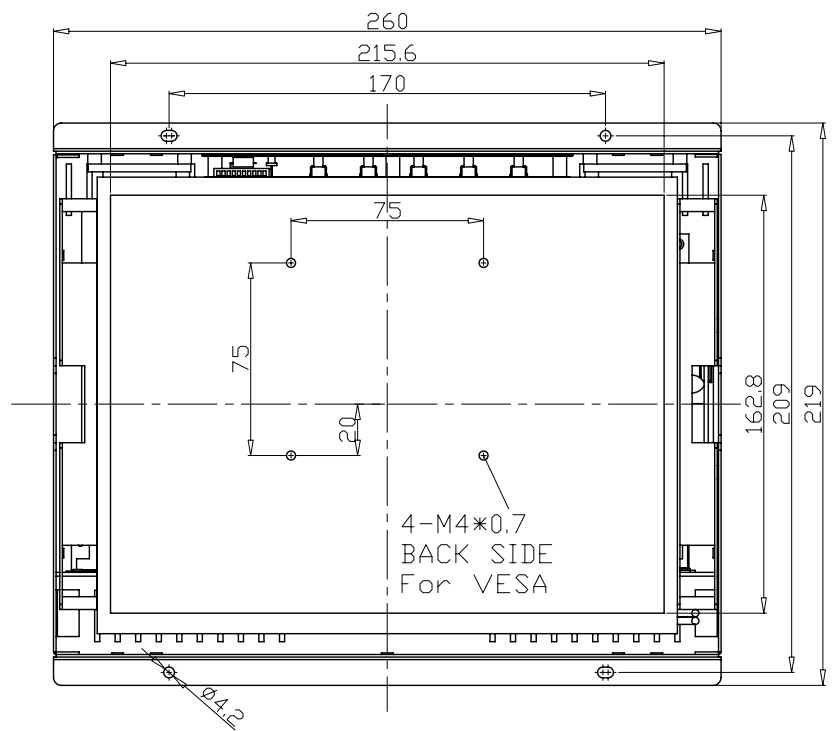


1 2 3 4 5

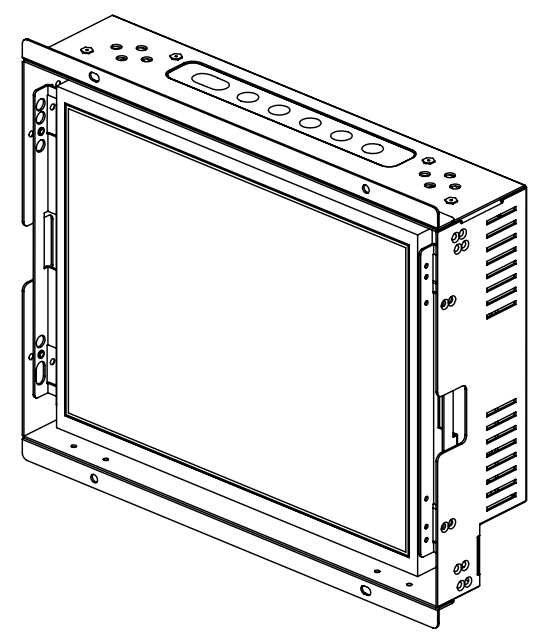
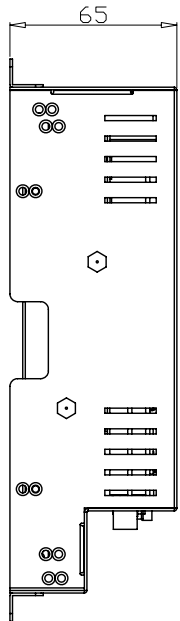
A



B



C



A

B

C

DVI READY

組裝注意事項：
1.CMO panel左側螺絲孔，需貼康揚RWF3.5-1 2PCS.

P.S:所有表面不需處理.

D

AD/BOARD	2023L/2523BVL/2523TTL/2023-9906	MODEL	OF1045		泓瑜科技有限公司 WINSONIC TECH. CO., LTD.			
INVERTER	Samsung LTA104S1-L01	PART NO.						
KEY PAD	PCBKEY019A0	MATERIAL	SECC	DATE	06/18/2008	APPROVED	DRAWN	JACK
PANEL:	SHARP-LQ104S1LG21 AU-G104SN02 SANSUNG-LTA104S1-L01 CMO-G104X1-L01							REV.
								DWG SIZE

1 2 3 4 5

D