



## Main Features

- Intel® Celeron™ Processor J1900
- Integrated Intel® Gen. 7 graphics
- Dual SO-DIMM slots for up to 8GB of DDR3L 1333 memory
- WWAN/WLAN/TV tuner support
- Remote management
- Comply with Open Pluggable Specification
- Fan less design

## Product Overview

NDiS M324 is based on Intel® Celeron® Processor J1900 (formerly codenamed "Bay Trail") and follows the electrical and mechanical specifications of the Open Pluggable Specification. NDiS M324 can be plugged into any OPS-complaint display devices to render rich multimedia contents. Thanks to the modular and cable-less, NDiS M324 satisfies the need for quick deployment and hassle-free maintenance of large digital signage network dispersed in different geographical locations. NDiS M324 is powered by the Intel® Celeron® Processor J1900. The digital signage player has an integrated Intel Gen.7 graphic engine and supports Microsoft DirectX 11. Taking advantage of the latest Intel technology, NDiS M324 can accelerate, 3D rendering, image processing and video decoding to provide highly personalized information base on the result of audience measurement to deliver accurate marketing message to target audience.

## Specifications

### CPU Support

- Intel® Celeron® Processor J1900 Quad Core 2.0GHz SoC processor

### Graphic

- Integrated Intel® Gen. 7 graphics

### Main Memory

- 2 x 204 pin SO-DIMM socket, support DDR3L 1333 MHz with un-buffered and non-ECC SDRAM up to 8GB

### I/O Interface-Front

- 1 x Power button
- 1 x reset button
- 1 x HDD LED
- 3 x USB 3.0
- 1 x USB2.0
- 1 x HDMI
- 1 x Mic-in
- 1 x Line-out
- 1 x 2.5" HDD slot
- 1 x RJ45 with LEDs for Gigabit LAN
- 2 x Antenna hole

### I/O Interface-Rear

- 1 x TMDS
- 1 x UART
- 1 x Audio out L/R
- 2 x USB 2.0
- 1 x USB 3.0
- DC input +12V~+19V
- Control signals (PWR\_STATUS, PS\_ON#, PB\_DET, CEC, SYS\_FAN)

### Storage Device

- 1 x 2.5" SATA Storage Bay for HDD/SSD

### Expansion

- 1 x Mini-PCI for optional WLAN/TV tuner module
- 1 x SIM slot

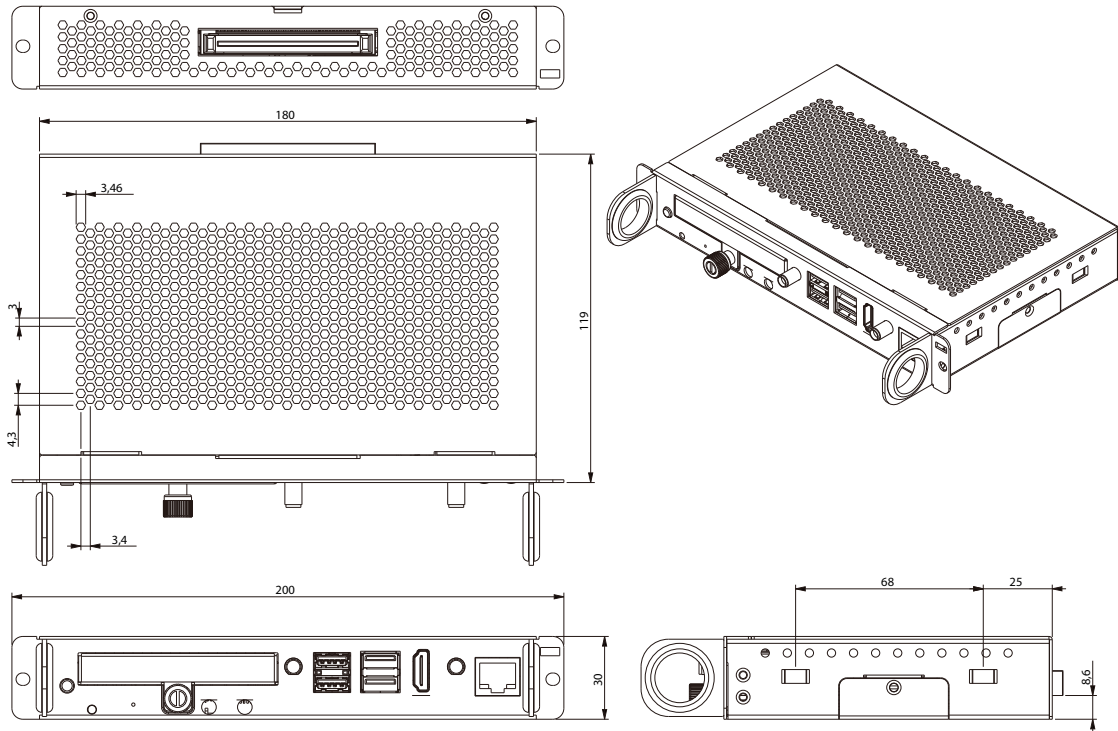
### Dimensions

- 200mm (W) x 119mm (D) x 30mm (H) (7.8" x 4.7" x 1.1")

### Power Power Supply

- DC power input +12V~+19V

## Dimension Drawing



### Environment

- Operating temperature :  
Ambient with air flow from 0°C to 40°C (with HDD)  
Ambient with air flow from 0°C to 45°C (with SSD)
- Storage temperature : -20°C to 80°C
- Humidity : 10 to 90% (non-condensing)

### Certification

- CE approval
- FCC Class A

### Operating System

- Win7/WES7/Win8/WE8S/Linux

## Ordering Information

- **NDIS M324(P/N : 10W00M32400X0)**  
Intel® Celeron® J1900 processor SoC OPS