

NDiS B324R

Fanless Embedded Computer Powered by Intel® Celeron® Processor J1800,
Wide Temperature Support from -20°C to 60°C



Main Features

- Intel® Celeron® processor J1800
- HDMI and VGA independent displays
- USB 3.0 support
- WLAN support
- Compact and fanless design
- Wide temperature support

Product Overview

Powered by Intel® Celeron® processor J1800, NDiS B324R can handle very rich multimedia contents. With Intel® Celeron® processor low power consumption feature, NDiS B324R supports display output by HDMI and VGA ports. NDiS B324R also support wide temperature operation from -20°C to 60°C. NDiS B324R is ideal as entry level digital signage player for advertising, hospitality and brand promotion application.

Specifications

CPU Support

- Intel® Celeron® J1800 2.41GHz SoC processor onboard

Graphics

- Intel® HD Graphics

Main Memory

- 1 x 204-pin SO-DIMM socket, supports DDR3L 1333MHz non-ECC, unbuffered memory up to 4G

I/O Interface-Front

- 1 x USB 2.0
- 1 x USB 3.0
- 1 x COM port

I/O Interface-Rear

- 19V DC Power in
- 1 x VGA
- 1 x HDMI
- 2 x USB 2.0
- 1 x RJ45 with LEDs for 10/100/1000Mbps Ethernet
- 1 x Audio-out
- 1 x Mic-in

Storage

- 1 x 2.5" SATA HDD Bay

Dimensions

- 180mm (W) x 150mm (D) x 25mm (H)

Power Supply

- 1 x External 65W AC/DC power adapter

Expansion

- 1 x mini-PCIe slot (half-size)

Environment

- Operating temperature: -20°C to 60°C
- Storage temperature: -20°C to 80°C
- Humidity: 10 to 90% (non-condensing)

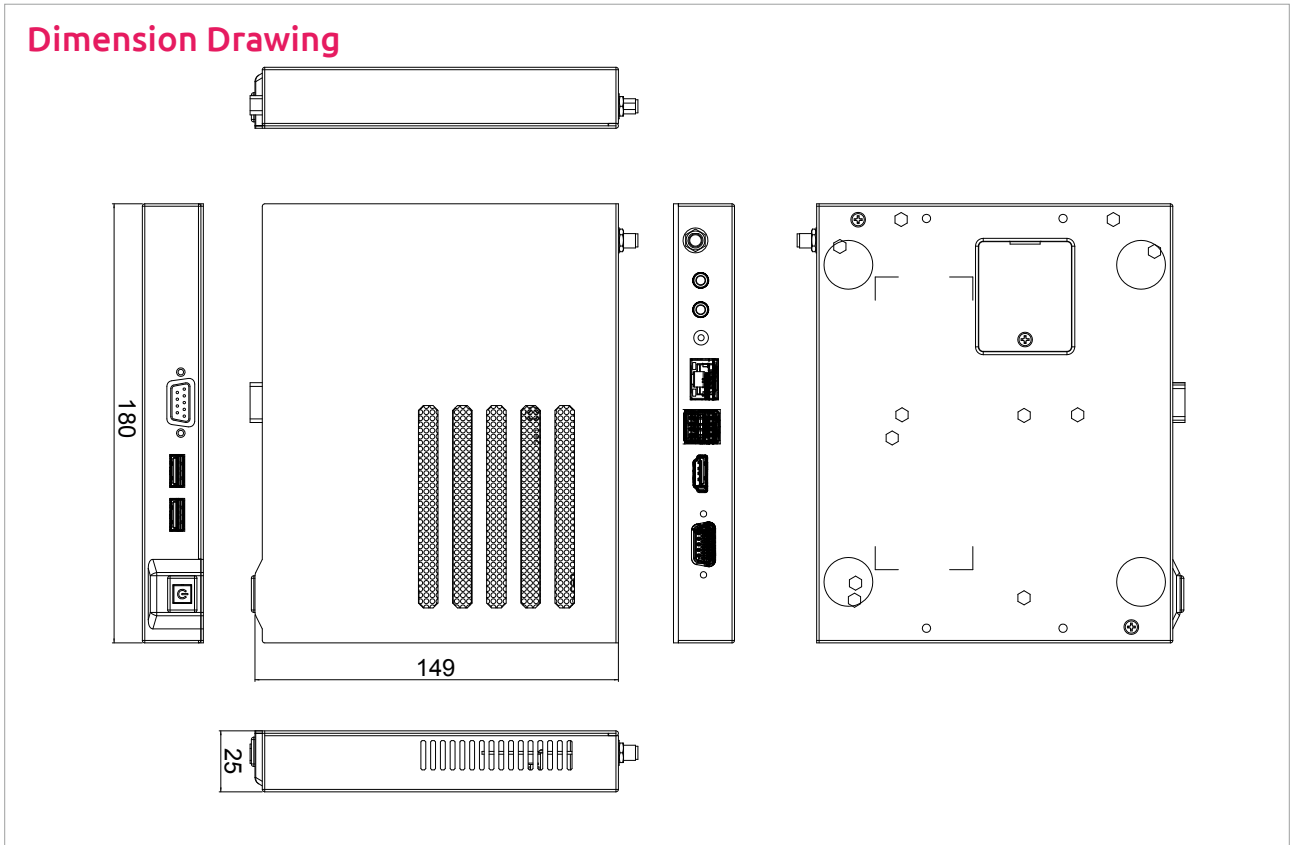
Certification

- CE approval
- FCC Class A

Operating System

- Win7/Win8/Win10/WES7/WE8S/Linux

Dimension Drawing



Ordering Information

- **NDiS B324R (P/N: 10W00B32410X0)**
Intel® Celeron® J1800 Dual Core fanless system