

Nuvo-7000E/ 7000DE/ 7000P Series

Intel® 8th-Gen Core™ i7/ i5/ i3 Fanless Controller with 6x GbE Ports, Patented Cassette and MeziO™ Interface



Key Features

- Intel® 8th-Gen Core™ hexa-core 65W/ 35W LGA1151 CPU
- Patented Cassette for PCI/PCIe add-on card accommodation*
- MeziO™ interface for easy function expansion
- Rugged, -25°C to 70°C fanless operation
- Up to 6x GigE ports, supporting 9.5 KB jumbo frame
- M.2 2280 M key socket (Gen3 x4) supporting NVMe SSD or Intel® Optane™ memory
- 4x USB 3.1 Gen2 ports and 4x USB 3.1 Gen1 ports
- VGA/ DVI/ DP triple independent display, supporting 4K2K resolution

*R.O.C Patent No. M456527

Introduction

Introducing Neosys Technology's 2018 flagship rugged fanless controllers, the new Nuvo-7000 series, powered by Intel® 8th-Gen Core™ i processors with up to 6-core/ 12-thread architecture that offer significant performance improvement over previous 6th and 7th-Gen platforms.

Nuvo-7000 series includes Neosys' track-proven technologies for superior ruggedness and versatility, such as effective fanless design, patented expansion Cassette and proprietary MeziO™ interface. It also incorporates cutting-edge computer I/O like USB 3.1 Gen2 with up to 10 Gbps throughput and M.2 2280 M key socket for NVMe SSD or Intel® Optane™ memory for ultimate system performance. The plethora of on-board I/O ports (GbE, USB and COM) feature sophisticated protection circuits to endure stress from ESD and power surge. This makes Nuvo-7000 series by far the most rock-solid embedded controller we've ever created.

Flexible and versatile for a variety of applications, Nuvo-7000 variants are available with different Cassette expansion options. With Neosys Nuvo-7000 series, you get a true rugged platform that can accommodate a single PCIe card (Nuvo-7000E), dual PCIe cards (Nuvo-7000DE) or a single PCI card (Nuvo-7000P) according your application needs.

Specifications

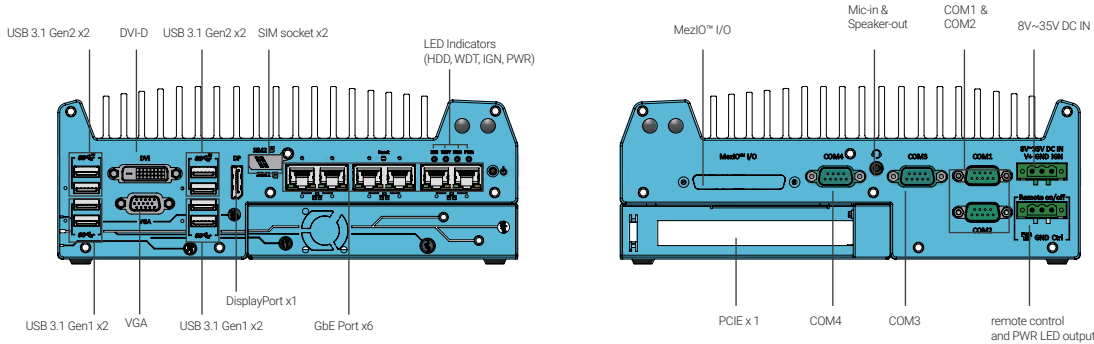
System Core		Expansion Bus	
Processor	Supporting Intel® 8th-Gen Coffee Lake CPU (LGA1151 socket, 65W/ 35W TDP) - Intel® Core™ i7-8700/ i7-8700T - Intel® Core™ i5-8500/ i5-8500T - Intel® Core™ i3-8100/ i3-8100T - Intel® Pentium® G5400/ G5400T - Intel® Celeron® G4900/ G4900T	PCI/PCI Express	1x PCIe x16 slot@Gen3, 8-lanes PCIe signals in Cassette (Nuvo-7002E/ 7006E) 2x PCIe x8 slots@Gen3, 4-lanes PCIe signals in Cassette (Nuvo-7002DE/ 7006DE) 1x PCI slot in Cassette (Nuvo-7002P/ 7006P)
Chipset	Intel® Q370 platform controller hub	Mini PCI Express	1x full-size mini PCI Express socket with internal SIM socket (mux with mSATA)
Graphics	Integrated Intel® UHD graphics 630	M.2	1x M.2 2242 B key socket with dual front-accessible SIM sockets, supporting dual SIM mode with selected M.2 LTE module
Memory	Up to 64 GB DDR4 2666/ 2400 SDRAM (two SODIMM slots)	Expandable I/O	1x MeziO™ expansion port for Neosys MeziO™ modules
AMT	Supports AMT 12.0	Power Supply	
TPM	Supports TPM 2.0	DC Input	1x 3-pin pluggable terminal block for 8~35VDC input
I/O Interface		Remote Ctrl. & LED Output	1x 3-pin pluggable terminal block for remote control and PWR LED output
Ethernet	2x Gigabit Ethernet ports by I219 and I210 (Nuvo-7002E/ P/ DE) 6x Gigabit Ethernet ports by I219 and 5x I210 (Nuvo-7006E/ P/ DE)	Mechanical	
PoE+	Optional IEEE 802.3at PoE+ PSE for Port 3 ~ Port 6 100 W total power budget	Dimension	240 mm (W) x 225 mm (D) x 90 mm (H) (Nuvo-7000E/ P series) 240 mm (W) x 225 mm (D) x 110.5 mm (H) (Nuvo-7000DE series)
USB	4x USB 3.1 Gen2 (10 Gbps) ports 4x USB 3.1 Gen1 (5 Gbps) ports	Weight	3.58 kg (Nuvo-7000E/ P series) 3.7 kg (Nuvo-7000DE series)
Video Port (Integrated Graphics)	1x VGA connector, supporting 1920 x 1200 resolution 1x DVI-D connector, supporting 1920 x 1200 resolution 1x DisplayPort connector, supporting 4096 x 2304 resolution	Mounting	Wall-mounting (standard) or DIN-Rail mounting (optional)
Serial Port	2x software-programmable RS-232/ 422/ 485 ports (COM1/ COM2) 2x RS-232 ports (COM3/ COM4)	Environmental	
Audio	1x 3.5 mm jack for mic-in and speaker-out	Operating Temperature	with 35W CPU -25°C ~ 70°C ** with 65W CPU -25°C ~ 70°C */** (configured as 35W TDP) -25°C ~ 50°C */** (configured as 65W TDP)
Storage Interface		Storage Temperature	-40°C ~ 85°C
SATA HDD	2x internal SATA port for 2.5" HDD/ SSD installation, supporting RAID 0/ 1	Humidity	10%~90% , non-condensing
M.2	1x M.2 2280 M key socket (PCIe Gen3 x4) for NVMe SSD or Intel® Optane™ memory installation	Vibration	Operating, MIL-STD-810G, Method 514.6, Category 4
mSATA	1x full-size mSATA port (mux with mini-PCIe)	Shock	Operating, MIL-STD-810G, Method 516.6, Procedure I, Table 516.6-II
		EMC	CE/FCC Class A, according to EN 55032 & EN 55024

* For i7-8700 running at 65W mode, the highest operating temperature shall be limited to 50°C and thermal throttling may occur when sustained full-loading applied. Users can configure CPU power in BIOS to obtain higher operating temperature.

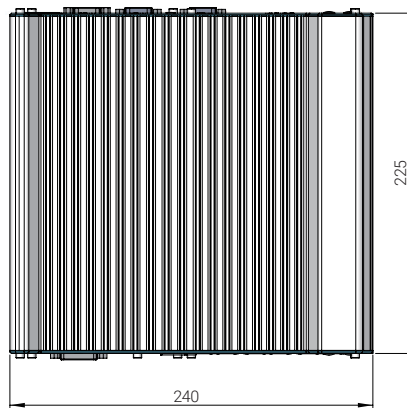
** For sub-zero operating temperature, a wide temperature HDD or Solid State Disk (SSD) is required.

Appearance

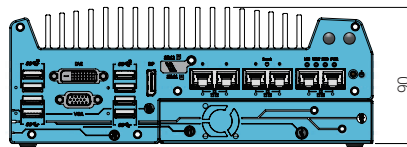
Nuvo-7000E/P



Dimensions



Unit : mm



Nuvo-7000E/P

Ordering Information

Model No.	Product Description
Nuvo-7002E	Intel® 8th-Gen Core™ fanless controller with 2x GbE, single-slot PCI Express Cassette and MeziO™ interface
Nuvo-7002P	Intel® 8th-Gen Core™ fanless controller with 2x GbE, single-slot PCI Cassette and MeziO™ interface
Nuvo-7006E	Intel® 8th-Gen Core™ fanless controller with 6x GbE, single-slot PCI Express Cassette and MeziO™ interface
Nuvo-7006P	Intel® 8th-Gen Core™ fanless controller with 6x GbE, single-slot PCI Cassette and MeziO™ interface

Optional IEEE 802.3at PoE+ for GbE ports 3 ~ 6

Optional Accessories

DINRAIL-O	DIN-rail mounting assembly for Nuvo-7000 series
Dmpbr-Nuvo5000_7000	Neosys' patented damping bracket assembly for Nuvo-7000E/DE/P
Fankit-25	Fan assembly for 1-slot Cassette, 25x25x10 mm
PA-160W-OW	160W AC/DC power adapter 20V/8A;18AWGx4C/120cm, cord end terminals for terminal block, operating temperature : -30°C to 70°C.

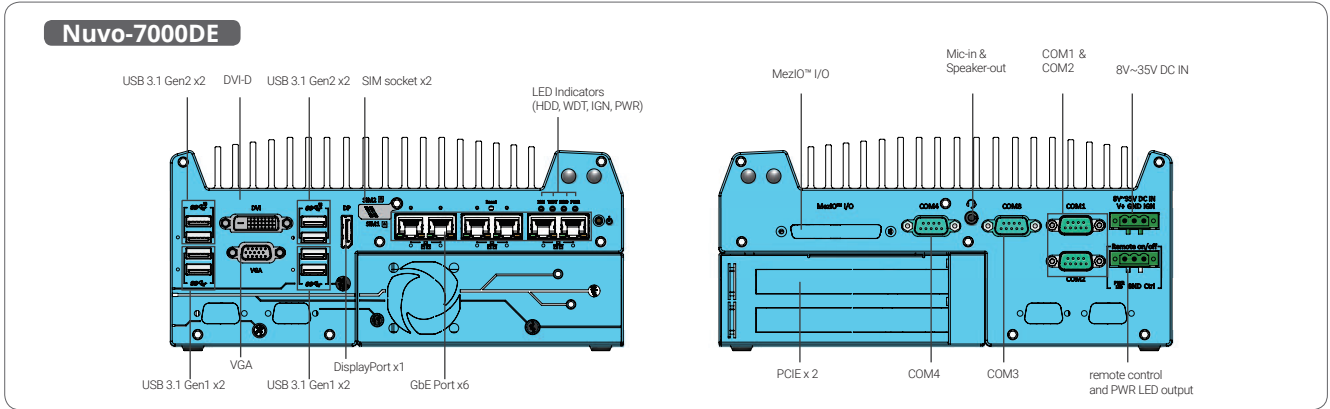
Cassette Modules

CSM-PoE354	Cassette module with PCIe-PoE354at and pre-installed passive heat-spreader
CSM-USB380	Cassette module with PCIe-USB380 and pre-installed passive heat-spreader
CSM-NV750	Cassette module with NVIDIA® GTX 750 Ti graphics card, pre-installed heat-spreader and fan
CSM-R800	Cassette module accommodating four 2.5" HDD/ SSD (support RAID 0/ 1/ 10)

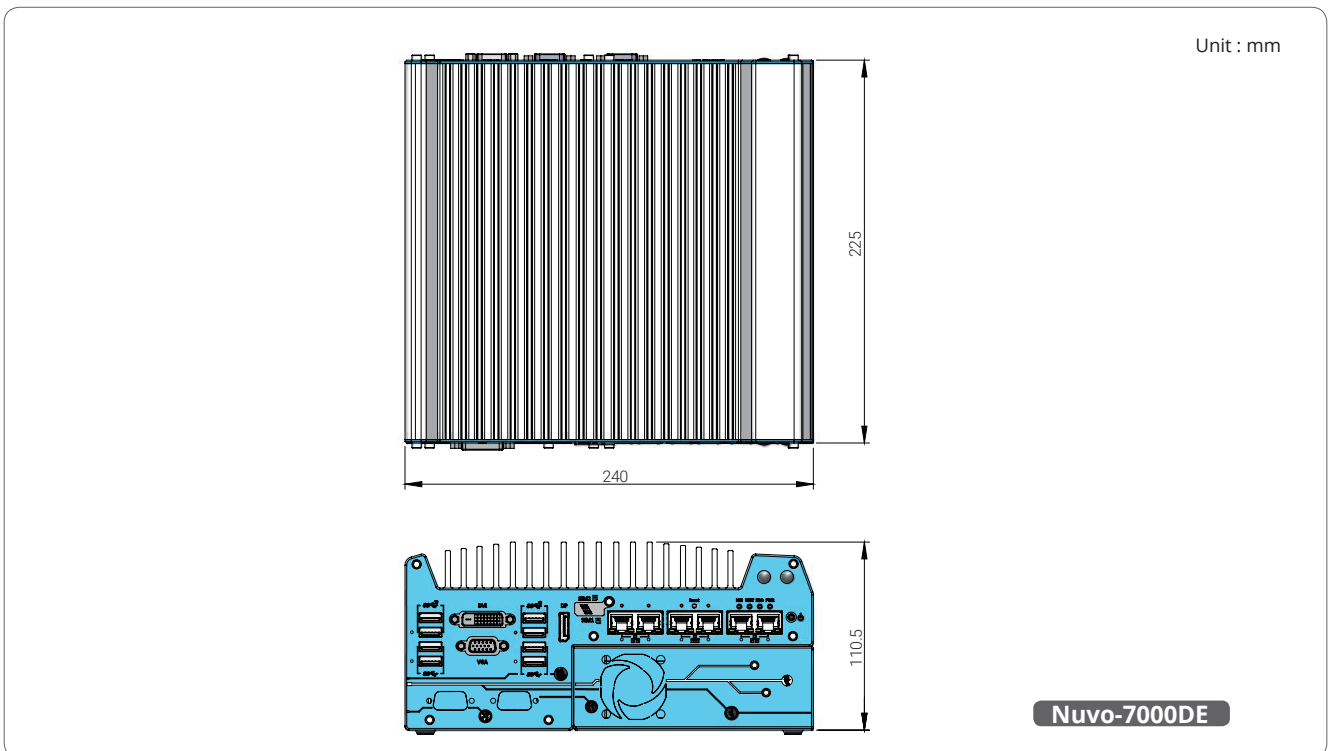
MeziO™ Modules

MeziO™ -C180	MeziO™ module with 4x RS-232/ 422/ 485 ports and 4x RS-232 ports
MeziO™ -C181	MeziO™ module with 4x RS-232/ 422/ 485 ports and 4x RS-422/ 485 ports
MeziO™ -D220	MeziO™ module with 8-CH isolated digital input and 8-CH isolated digital output
MeziO™ -D230	MeziO™ module with 16-CH isolated digital input and 16-CH isolated digital output
MeziO™ -V20-EP	MeziO™ module with ignition power control function for in-vehicle application
MeziO™ -U4	MeziO™ module with 4x USB3.0 ports
MeziO™ -G4	MeziO™ module with 4x GigE ports
MeziO™ -G4P	MeziO™ module with 4x IEEE 802.3at PoE+ ports

Appearance



Dimensions



Ordering Information

Model No.	Product Description
Nuvo-7002DE	Intel® 8th-Gen Core™ fanless controller with 2x GbE, dual-slot PCI Express Cassette and MeziO™ interface
Nuvo-7006DE	Intel® 8th-Gen Core™ fanless controller with 6x GbE, dual-slot PCI Express Cassette and MeziO™ interface
Optional IEEE 802.3at PoE+ for GbE ports 3 ~ 6	

Optional Accessories

PA-160W-OW	160W AC/DC power adapter 20V/8A;18AWGx4C/120cm, cord end terminals for terminal block, operating temperature : -30 to 70°C.
Fankit-40	Fan assembly for 1-slot Cassette, 40x40x10 mm
DmpbrNuvo5000_7000	Neousys' patented damping bracket assembly for Nuvo-7000E/DE/P
DINRAIL-O	DIN-rail mounting assembly for Nuvo-7000 series

MeziO™ Modules

MeziO™-C180	MeziO™ module with 4x RS-232/ 422/ 485 ports and 4x RS-232 ports
MeziO™-C181	MeziO™ module with 4x RS-232/ 422/ 485 ports and 4x RS-422/ 485 ports
MeziO™-D220	MeziO™ module with 8-CH isolated digital input and 8-CH isolated digital output
MeziO™-D230	MeziO™ module with 16-CH isolated digital input and 16-CH isolated digital output
MeziO™-V20-EP	MeziO™ module with ignition power control function for in-vehicle application
MeziO™-U4	MeziO™ module with 4x USB3.0 ports
MeziO™-G4	MeziO™ module with 4x GigE ports
MeziO™-G4P	MeziO™ module with 4x IEEE 802.3at PoE+ ports