



SSF4887-B / SSH4887-B V1

48.8" Resizing LCD, 1400 nits LED backlight, 1920 x 438 ultra-wide aspect ratio 16:3.6

The SSF/SSH4887-B is a 48.8 inch color TFT-LCD display with special aspect ratio 16:3.6 and wide resolution 1920 x 438. It is Litemax's Spanpixel series product which designed for high brightness 1400 nits with power efficiency LED backlight. It provides LCD panel with specific aspect ratios and sunlight readable for digital signage, public transportation, exhibition hall, department store, and vending machine.

Key Features

- Resizing LCD
- Ultra-Wide Screen (16 : 3.6)
- High Brightness 1400 nits
- Sunlight Readable
- LED Backlight
- Slim Bezel
- BL MTBF: 100,000 hours



Specifications

Model Name	SSF4887-B / SSH4887-B V1
Description	48.8" Resizing LCD, 1400 nits LED backlight, 1920x438
Screen Size	48.8"
Display Area (mm)	1209.6(H) x 275.5(V)
Brightness	1400 cd/m ²
Resolution	1920x438
Aspect Ratio	16 : 3.6
Contrast Ratio	1500 : 1
Pixel Pitch (mm)	0.63(H) x 0.63(V)
Pixel Per Inch (PPI)	40
Viewing Angle	178°(H),178°(V)
Color Saturation (NTSC)	81%
Display Colors	16.7M
Response Time (Typical)	8ms
Panel Interface	LVDS
AD Board Input Interface	VGA, DVI-D, HDMI,
AD Board Input Power	DC12V
Power Consumption	79W(84W with AD Board, AC Power Board)
OSD Key	4 Keys (Power Switch, Menu, +, -)
OSD Control	Brightness, Color, Contrast, Auto Turing, H/V Position...etc
Dimensions (mm)	1244.6x 313.5 x 21.8
Bezel Size(U/B/L/R)	17/17/15.5/15.5 mm
Weight (Net)	7.4 kg
Operating Temperature	0 °C ~ 50 °C
Storage Temperature	-20 °C ~ 60 °C

SSF= Panel+ LED Driving Board

SSH= Panel+ LED Driving Board + AD Control Board

Specifications are subject to change without notice.

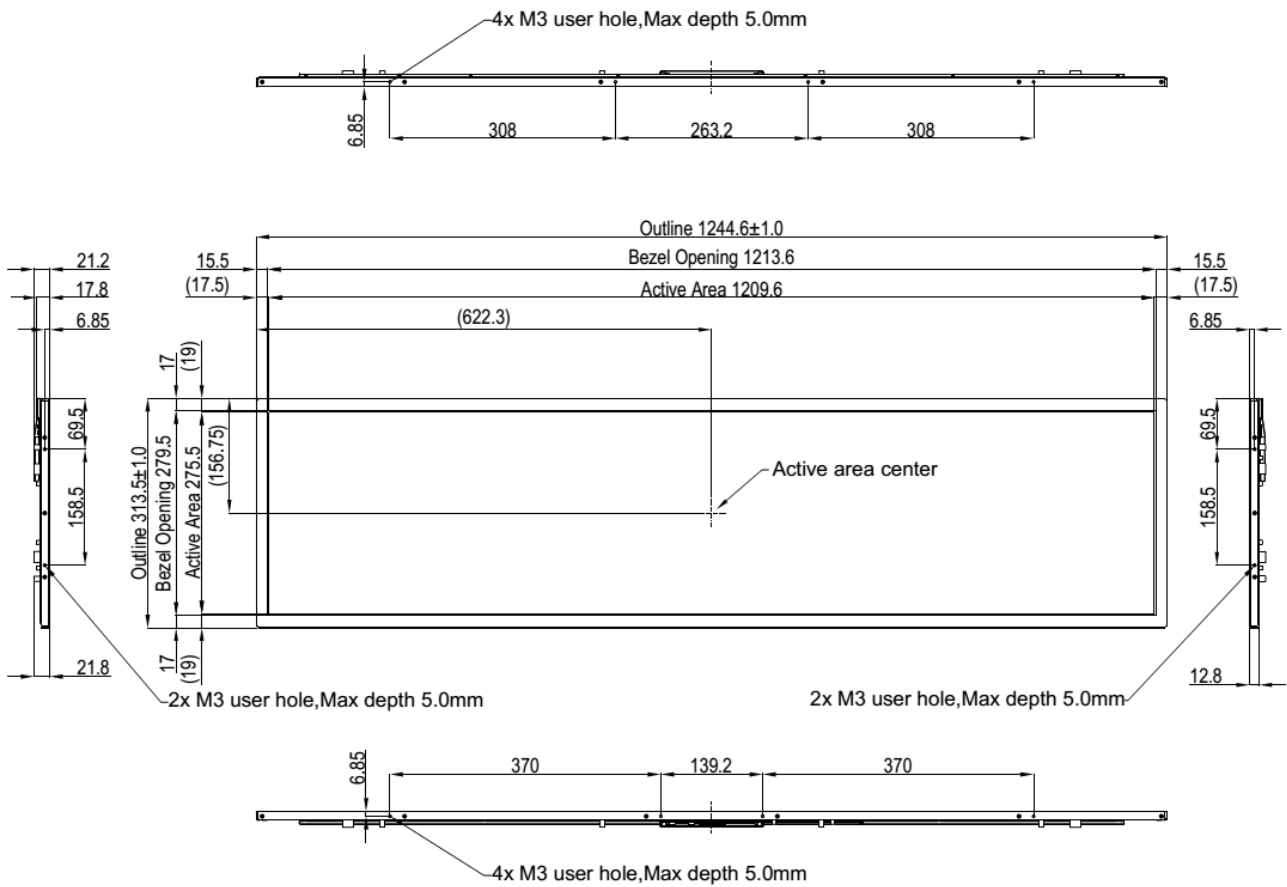


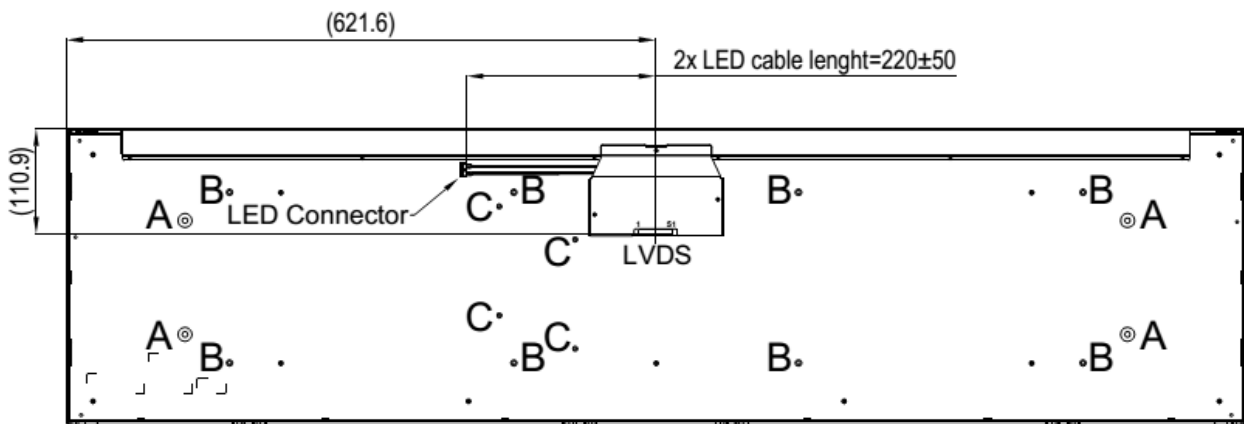
All brands or product names are trademarks or registered trademarks of their respective companies.

Mechanical Drawing

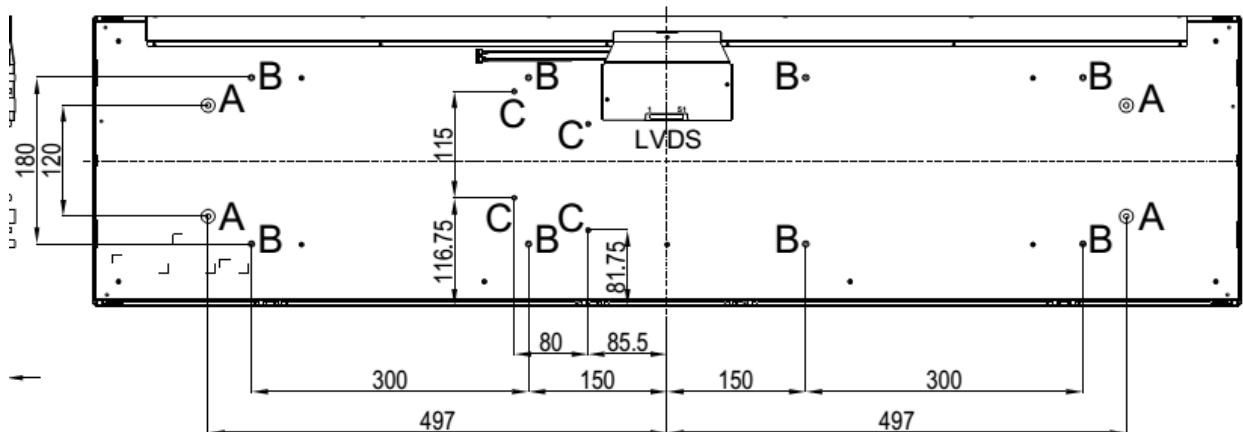
Outline Dimensions

Unit: mm



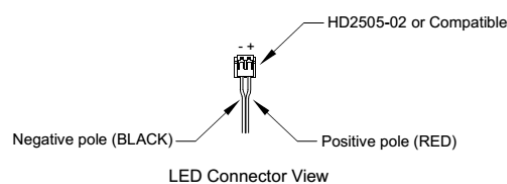


A	4x M6 user hole,max depth 9.0mm
B	8x M4 user hole,max depth 9.0mm
C	4x M3 user hole,max depth 5.0mm, for LID



Note:

1. Resolution: 1920x438
2. Connector : IS050-C51B-C39-S (UJU)
3. Tolerance is ±1.0mm unless noted
4. "()" marks the reference dimension





Ordering Information

Part Number	Description
SSF4887-BNN-A01	48.8", 1400nits, 1920*438, LID48A, 3in1, V1
SSH4887-BNN-G01	48.8", 1400nits, 1920*438, LID48A.AD2662GDHM, AC100~240V, 3in1, V1

Optional Accessories

Part Number	Description
810618301010	CABLE.POWER.AC.1830mm USA type
810618301090	CABLE,POWER,AC,1830mm Europe type
810618301050	CABLE.POWER.AC.1830mm UK type
810618301170	CABLE.POWER,AC,1830mm Australia type
810618301031	CABLE.POWER.AC.1830mm Japan type

By Customer Request

Glass	Tempered glass, AR coating.....
--------------	---------------------------------