



DLF/DLH1568-I V1
15" TFT LCD, LED Backlight 1600nits, 1024x768

The DLF/DLH1568-I is a 15 inch industrial grade sunlight readable LCD, with high brightness 1600 nits and high color saturation, it produce sharp images, crisp text and lifelike colors. The Du rapixel LED backlight technology ensures high reliability and low power consumption, suitable for outdoor application, kiosk, factory automation, military, transportation and gaming application.

Key Features

- High Brightness 1600 nits
- Sunlight Readable
- LED Backlight
- Low Power Consumption
- Wide Operation Temperature
- BL MTBF: 100,000 hours



Specifications

Model Name	DLF/DLH1568-I
Description	15" TFT LCD, LED Backlight 1600 nits,
Screen Size	15"
Display Area (mm)	304.1(H) x 228.1(V)
Brightness	1600 cd/m ²
Resolution	1024x768
Aspect Ratio	4 : 3
Contrast Ratio	6500 : 1
Pixel Pitch (mm)	0.297(H) x 0.297(V)
Pixel Pre Inch (PPI)	85
Viewing Angle	176°(H),176°(V)
Color Saturation (NTSC)	80%
Display Colors	16.7M
Response Time (Typical)	23ms
Panel Interface	LVDS
AD Board Input Interface	DVI-I,HDMI,DP
AD Board Input Power	DC12V
Power Consumption	20W, 23W (with AD board)
OSD Key	4 Keys (Power Switch, Menu, +, -)
OSD Control	Brightness, Color, Contrast, Auto Turing, H/V Position...etc
Dimensions (mm)	326.5(H) x 253.5(V) x 21 (T)
Bezel Size(U/B/L/R)	11.1/11.1/9.55/9.55 mm
Weight (Net)	1kg
Operating Temperature	-30 °C ~ 80 °C
Storage Temperature	-40 °C ~ 80 °C

DLF= Panel + LED Driving Board

DLH= Panel + LED Driving Board + AD Control Board

Specifications are subject to change without notice.

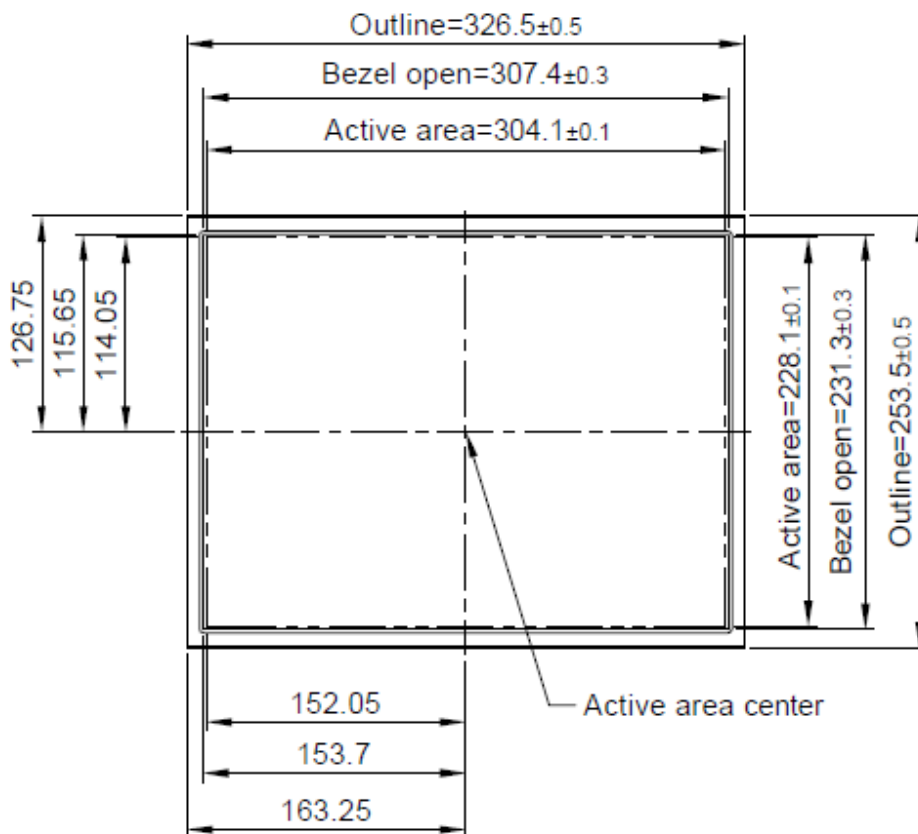
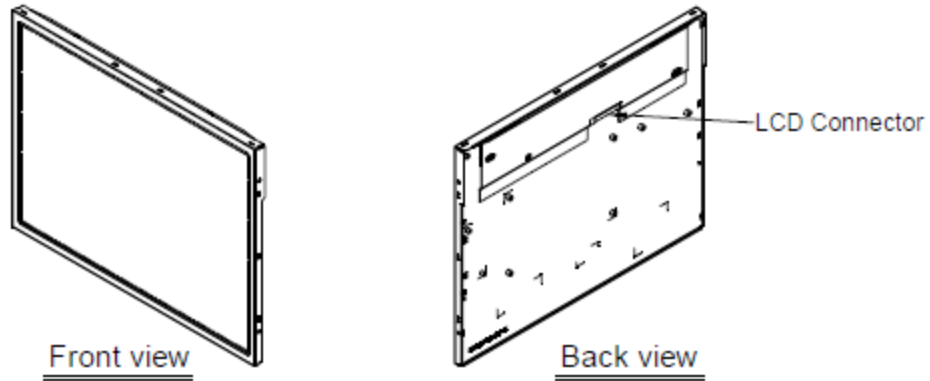


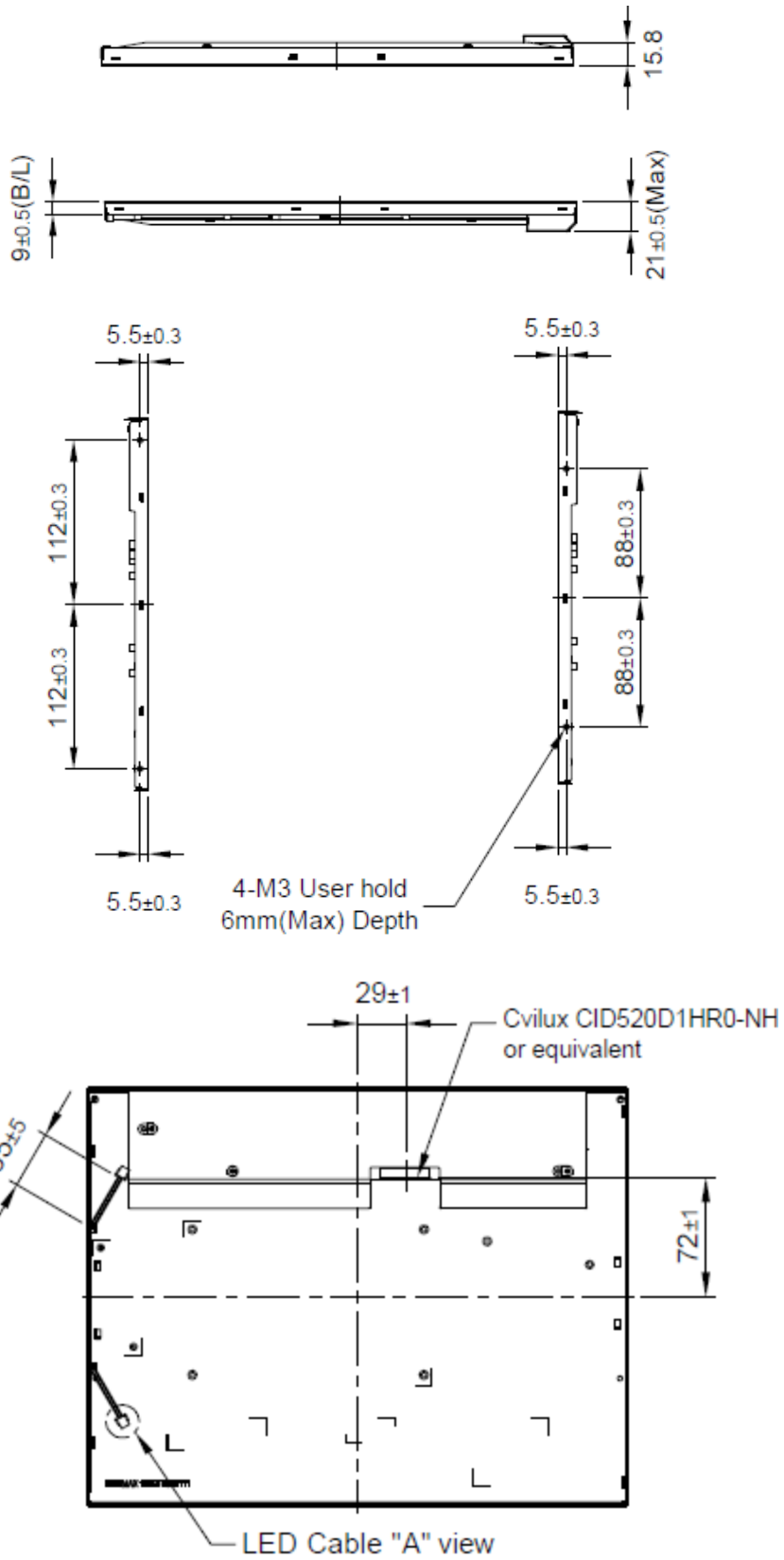
All brands or product names are trademarks or registered trademarks of their respective companies.

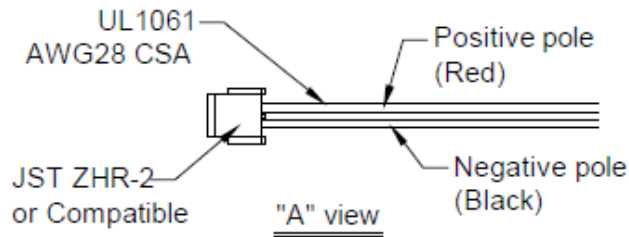
Mechanical Drawing

Outline Dimensions

Unit:mm







Note : General Tolerance:±0.5mm

Ordering Information

Part Number	Description
DLF1568-INN-A01	15",1600nits,1024x768,LID15C,5in1,V1
DLH1568-INN-Q01	15",1600nits,1024x768,LID15C,AD8891GDHP,DC12V,5in1,V1

Optional Accessories

Part Number	Description
840612051212	ADAPTER,AC/DC,12V/5A,60W.Power-Din-4P,CWT.G99-ABF060F-N022.Efficiency-level-6,R
810618301010	CABLE,POWER,AC,1830mm USA type
810618301090	CABLE,POWER,AC,1830mm Europe type
810618301050	CABLE,POWER,AC,1830mm UK type
810618301170	CABLE,POWER,AC,1830mm Australia type
810618301031	CABLE,POWER,AC,1830mm Japan type

Customer request

Touch	SCT (Single-Touch), PCT (Multi-Touch)
Glass	Tempered glass, AR coating.....