

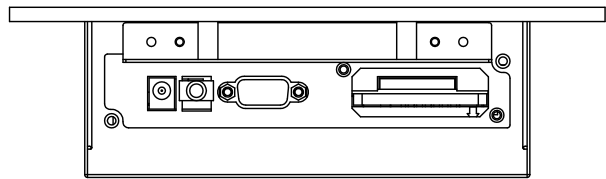
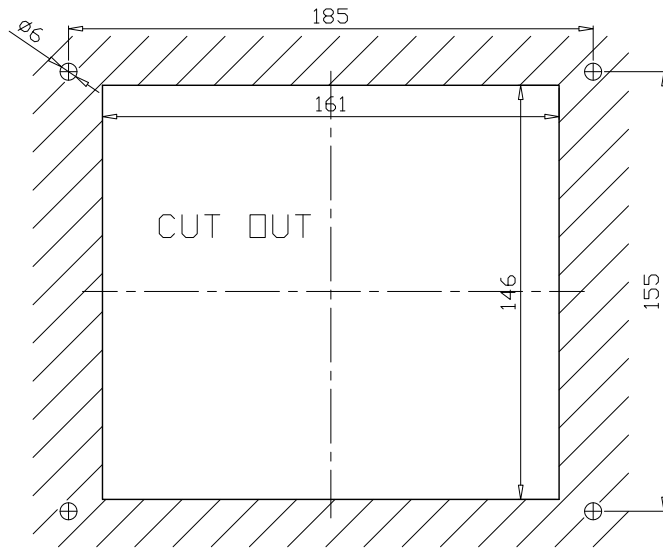
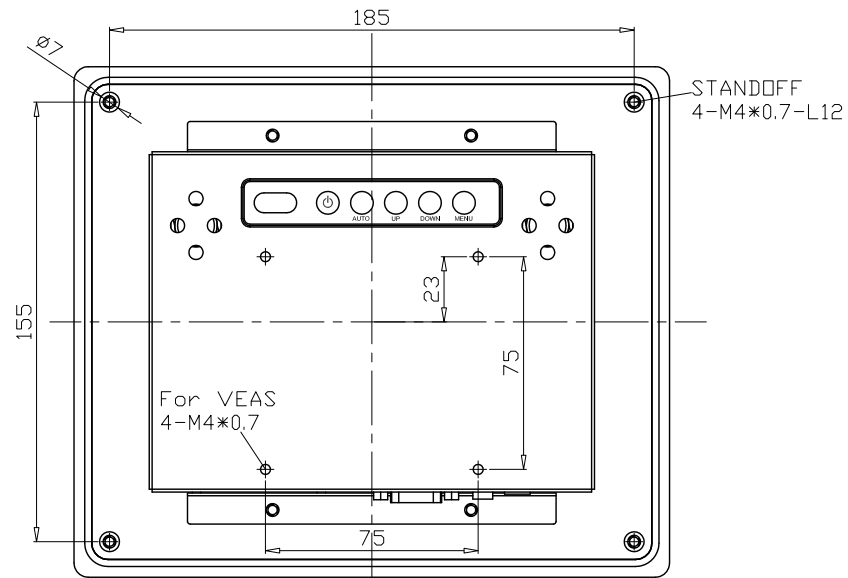
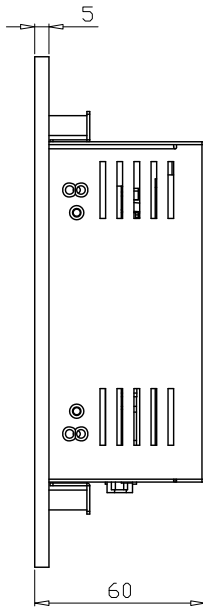
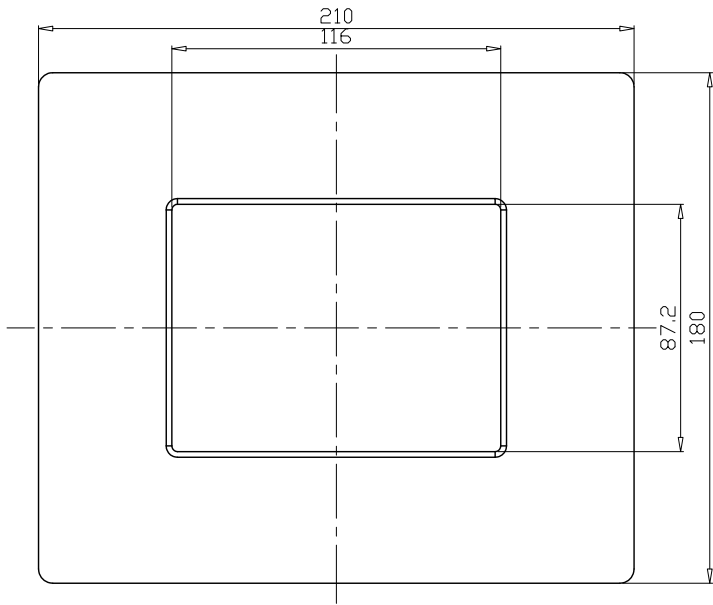
1

2

3

4

5



AD/BOARD	
INVERTER	
KEY PAD	
PANEL:	AU-G057VN01_V0

MODEL	IPM0576 / PM0576		
PART NO.			
MATERIAL		DATE	2010-03-18

泓瑜科技有限公司 WINSONIC TECH. CO., LTD.			
PART NAME	Assembly		
APPROVED		DRAWN	JACK
SCALE	1:1	UNIT	MM

1

2

3

4

5