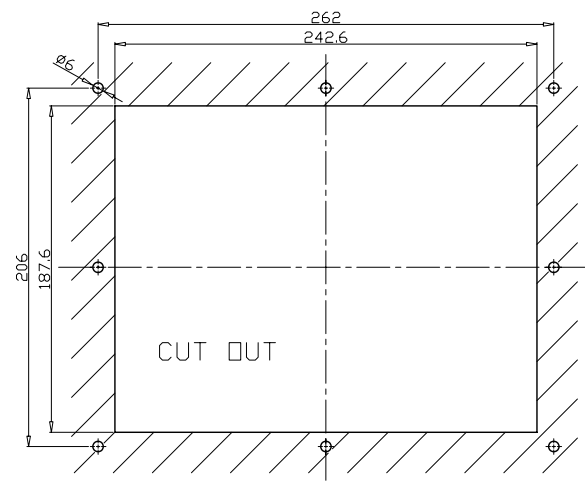


VIEW A



1	2	3	4	5
A				A
B				B
C				C
D				D

AD/BOARD		MODEL	IPM0846C		泓瑜科技有限公司 WINSONIC TECH. CO., LTD.					
INVERTER		PART NO.			PART NAME	ASSEMBLY				
KEY PAD		MATERIAL		DATE					2010-03-19	SCALE
PANEL:					APPROVED		DRAWN	JACK	UNIT	MM
SHARP-LQ080V3DG01_E AU-G084SN05V2 SHARP-LQ084S3DG01-800x600										
1	2	3	4	5						