

L-9060A

5 digital input channels and 3 relay output channels module



Features

- ◆ Support Modbus/TCP, TCP/IP, UDP, ICMP, ARP
- ◆ Ethernet 10/100 Based-T Communication
- ◆ Support 3 relay ch. (RL1/Form A, RL2/3 Form C)
- ◆ Provide Pulsed/delay Output Mode
- ◆ Support 5 Isolated digital Input Channels
- ◆ Provide Counter/ Frequency Inputs Mode
- ◆ Support Dry/ Wet Contact Inputs
- ◆ Fully Photo-Isolation 3750Vrms
- ◆ Status LED indicator

Specifications

- ✧ Interface: Ethernet 10/100 Based-T communication.
- ✧ COMM.: Support TCP/IP, UDP, ICMP, ARP
- ✧ Protocol: ASCII Format, Modbus/TCP
- ✧ Isolation Digital Input:
 - Channel: 5 channels (DI0~DI4)
 - Input Level: Logic level status can be inverted via ASCII/Modbus command.
 - Digital input: Isolated single ended with common source.
 - Dry Contact :
 - ✓ Logic level 1(active) : Close to GND
 - ✓ Logic level 0 (inactive): Open
 - Wet Contact :
 - ✓ Logic level 1(active) : +4V to 30VDC max
 - ✓ Logic level 0 (inactive): +2VDC max
 - Input Impedance: 3K ohm (Wet Contact)
 - counter input: 500Hz counter input (32-bit + 1-bit overflow)
 - Optical Isolation Voltage: 3750Vrms

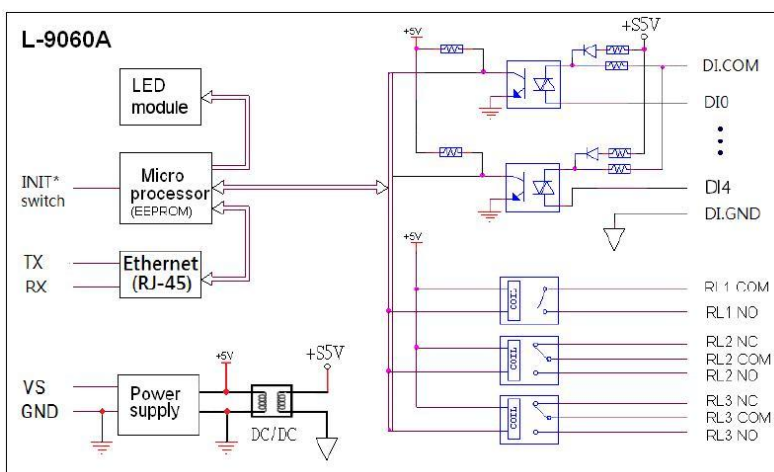
- ✧ Relay Output :
 - Relay Channels: 3 Relay output (RL1~RL3)
 - Relay Type: RL1/Form A, RL2/3 Form C
 - Relay contact rating : 0.6A/125Vac, 2A/30Vdc
 - Surge strength: 500V
 - Operate Time: 3mS max.
 - Release Time: 2mS max.
 - Min Life: 5*10⁵ ops.
 - Each channel supports 500Hz pulse output
- ✧ Display: Status LED indicator
- ✧ Power Requirement:
 - Power Consumption: 1.8 W (Typical)
 - Power Input: +10 ~ +30 VDC
 - Humidity : 5 ~ 95% RH, non-condensing

Order information

L-9060A :
5 channels digital input and 3 relay module

Flexible OEM/ODM design

Block Diagram



Wire Connection

