

L-9051(A)

12+2 digital input channels and 2 digital output channels module



Features

- ◆ Support Modbus/TCP, TCP/IP, UDP, ICMP, ARP
- ◆ Ethernet 10/100 Based-T Communication
- ◆ Support 2 Isolated digital output channels (NPN).
- ◆ Provide Pulsed/delay Output Mode
- ◆ Support 12 Isolated digital Input Channels
- ◆ 2 counter (4.5 KHz) input channels
- ◆ Support **Dry Contact** Inputs
- ◆ Fully Photo-Isolation 3750Vrms
- ◆ Status LED indicator

Specifications

- ◇ Interface: Ethernet 10/100 Based-T communication.
- ◇ COMM.: Support TCP/IP, UDP, ICMP, ARP
- ◇ Protocol: ASCII Format , Modbus/TCP
- ◇ Isolation Digital Input:
 - Channel: 12 channels (DI0~DI11)
 - Input Level: Logic level status can be inverted via ASCII/Modbus command.
 - Input type: Isolated single ended with comm. source.
 - Dry Contact :
 - ✓ Logic level 1(active) : Close to GND
 - ✓ Logic level 0 (inactive): Open
 - Input Impedance: 2K ohm
 - counter input: 500Hz counter input (32-bit + 1-bit overflow)
 - Optical Isolation Voltage: 3750Vrms
- ◇ Counter:
 - Channel: 2 (C0=DI12, C1=DI13)
 - Input level:
 - ◆ Logic level 1 (active) : +5V to 30VDC max
 - ◆ Logic level 0 (inactive) : +2 Vac max
 - Maximum Count: 4,294,967,285(32 bit)

- Input Impedance: 2K ohm(Wet Contact)
- Input frequency: 4500 Hz max.
- Optical Isolation Voltage: 3750Vrms
- ◇ Isolation Digital Output :
 - Digital Output: isolated Open collector (NPN) .
 - Channel: 2 channels (DO0~DO1)
 - Output logical level: Logic level status can be inverted via ASCII/Modbus command.
 - Open Collector to +5 ~ 30V / 500 mA max load.
 - Optical Isolation Voltage: 3750Vrms
- ◇ Display: Status LED indicator
- ◇ Power Requirement:
 - Power Consumption: 1.8 W (Typical)
 - Power Input: +10 ~ +30 VDC
 - Humidity : 5 ~ 95% RH, non-condensing

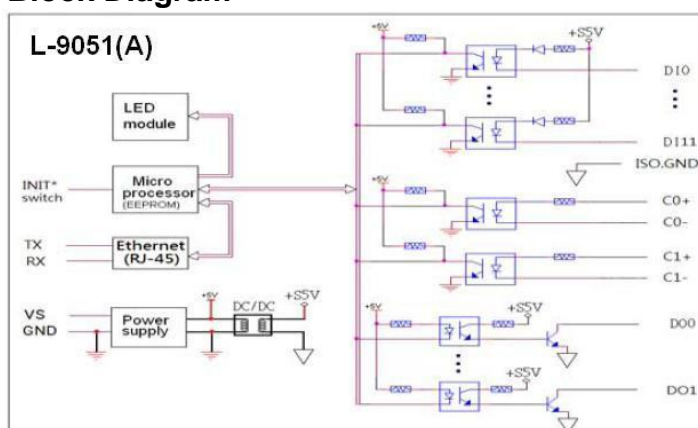
Order information

L-9051(A) :

14 channels digital input(**Dry Contact**) and 2 channels output module.

Flexible OEM/ODM design

Block Diagram



Wire Connection

