

L-8041D

14 Channels Isolated Digital Input Module with LED display



Features

- ◆ Support 8 non-Isolated digital Output
- ◆ Open Collector Output
- ◆ 14 Isolated Single-Ended input channels
- ◆ Input channel support max. 50Hz counter
- ◆ Programmable Host Watchdog Timer for Host Failure Protection.
- ◆ Support MODBUS RTU and ASCII Format Protocol.

Specifications

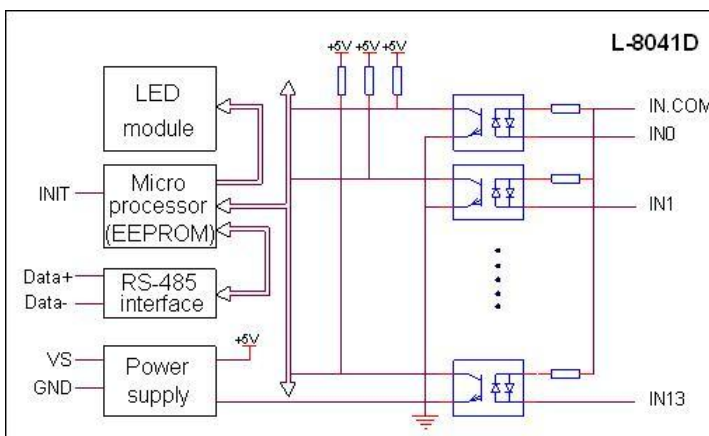
- ◇ Interface : RS-485, 2 wires
- ◇ Baud rate : 1200 to 115.2K
- ◇ Protocol : MODBUS RTU and ASCII Command
- ◇ Digital Input:
 - Input channels: 14-channels isolated Single-Ended with common source.
 - Logical level 0 : +1Vdc Max
 - Logical level 1: +4.0V ~ +30Vdc
 - Input impedance: 3K ohms
 - Input isolation Voltage: 3750Vrms
 - Input counter : Support max. 50Hz counter
- ◇ Watchdog timer:
 - Programmable Host Watchdog Timer For Host Failure Protection.
 - System (1.6 second).
- ◇ LED: 14 digital Input status LED
- ◇ EMS Protection: IEC-61000-4-2 (EDS) Level 4.
- ◇ Power Requirement:
 - Power input : +10V to +30VDC
 - Power Consumption : 1.2W(8041D)
- ◇ Operating temperature: -10 ~ 70° C (14 ~ 158° F)
- ◇ Humidity: 5 ~ 95%, non-condensing

Order information

L-8041D :
14 Channel Isolated Digital Input Module with LED display

Flexible OEM/ODM design

Block Diagram



Wire connection

