

# I330 Rugged BOX PC

I330EAC with Three Isolation Serial Ports, Digital I/O, GigaLAN Robust Alu.Fim Box PC.

Embedded Automation Controller

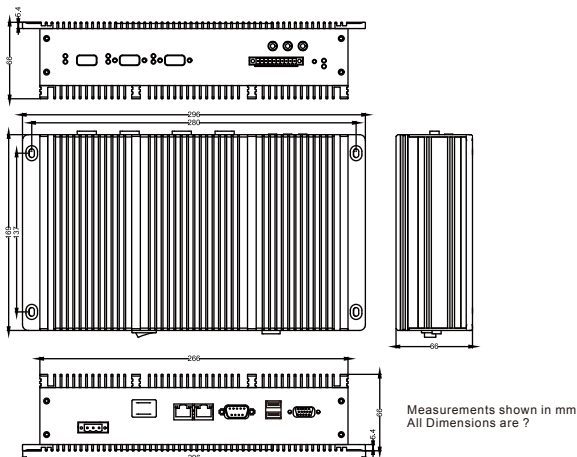
I330EAC-ID3



## Features:

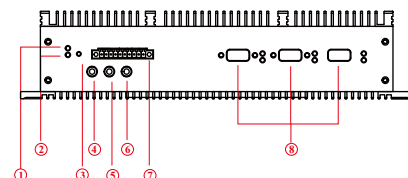
- Design for Industrial Automation, M2M application
- Onboard Dual Core Atom D2550 1.86GHz
- 1 x DDR3 SODIMM, max. 4GB
- 3 x RS422 / 485 communication with isolation protection
- Support 8 x GPIO with Phoenix type Terminal Block
- 2x Giga LAN, 2x USB, 1x VGA, Line in, Line out, Micro In
- Fanless, High efficiency thermal design w/ sealed construction
- 1500V DC power isolation resistance

I330 EAC-ID3

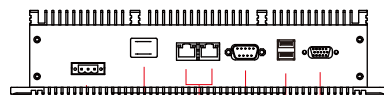


Measurements shown in mm  
All Dimensions are ?

\* Note: this is a simplified drawing and some components are not marked in detail. Please contact our sales representative if you need further product information.



- 1. PWR LED
- 2. HDD LED
- 3. .POWER
- 4.LINE IN
- 5.LINE OUT
- 6.MIC IN
- 7.8 Channel GPIO
- 8.RS422/485/ISOLATION



- 1. PWR INPUT
- 2. PWR SWITCH
- 3. LAN
- 4.RS232
- 5.USB
- 6.VGA

UNIT:mm

## System Specification

<b>Processor</b>	: Intel®ATOM D2550 1.86GHz
<b>BIOS</b>	: AMI 16Mbit Flash
<b>System Chipset</b>	: Intel®NM10 Chipset
<b>System Memory</b>	: DDR3 SODIMM Max 4GB
<b>Ethernet Controller</b>	: Dual Broadcom BCM57780
<b>USB</b>	: 2 x USB 2.0 (external) 4 x USB 2.0 by pin-header (internal)
<b>Storage</b>	: 1 x mSATA SSD 32G (default) 1 x 2.5" SATA SSD

## Mechanical and Power

<b>Dimensions (L x W x H)</b>	: 296mm x 169mm x 66mm
<b>Construction</b>	: Aluminum housing
<b>Power Input</b>	: +24V DC In with 1.5KV DC Isolation Resistance(+9~36V DC Input Acceptable)
<b>Power source range</b>	: Typical 60 W power consumption
<b>Mounting</b>	: VESA / Wall-mount / Desktop

## I/O Connectors

<b>Front Side I/O</b>	: 1 x Reset Button
	: 1 x Micro in , Line out , Line in Jack
	: 8 Channel GPIO by Phoenix type Terminal Block 5V/12mA
	: 3 x Isolated RS422/485 auto-detect with
<b>Back Side I/O</b>	: LED Indicator
	: 1 x 3 pin Power Input w/ Phoenix type Terminal Block
	: 1 x Power Switch On / Off
	: 2 x RJ-45 (Giga LAN)
	: 1 x VGA
	: 1 x RS232
	: 2 x USB

## Environment Considerations

<b>Operating Temperature</b>	: -15 to 55 deg.C
<b>Operating Humidity</b>	: 5% to 95% (non condensing)
<b>Anti-Vibration</b>	: 5Hz~500Hz / 1Grms/3 Axis
<b>Anti Shock</b>	: 15G, 11ms duration

## Ordering Information (optional)

<b>Storage</b>	: 2.5" 64GB , 128GB SSD 32 to 128GB mSATA SSD
----------------	--

Note: All Specifications are subject to change without prior notice!

Revised Date:09/19/2012

Rev.	Reasons	Revised Date
1.7	Spec change	Mar-25-13