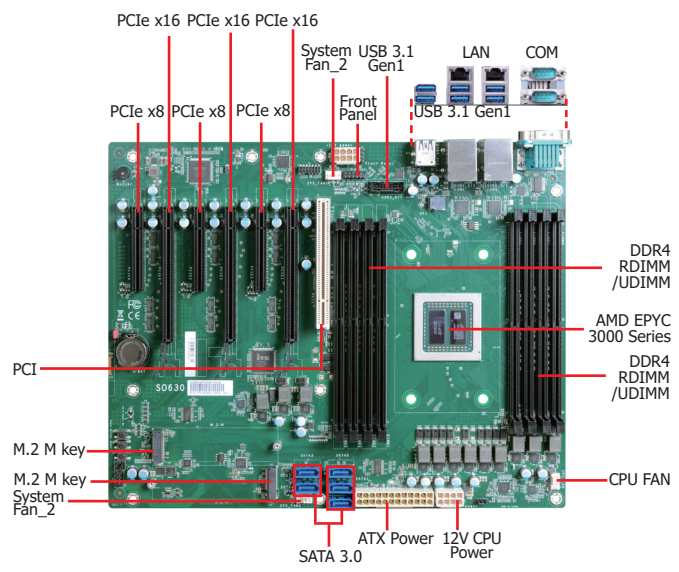




# S0630

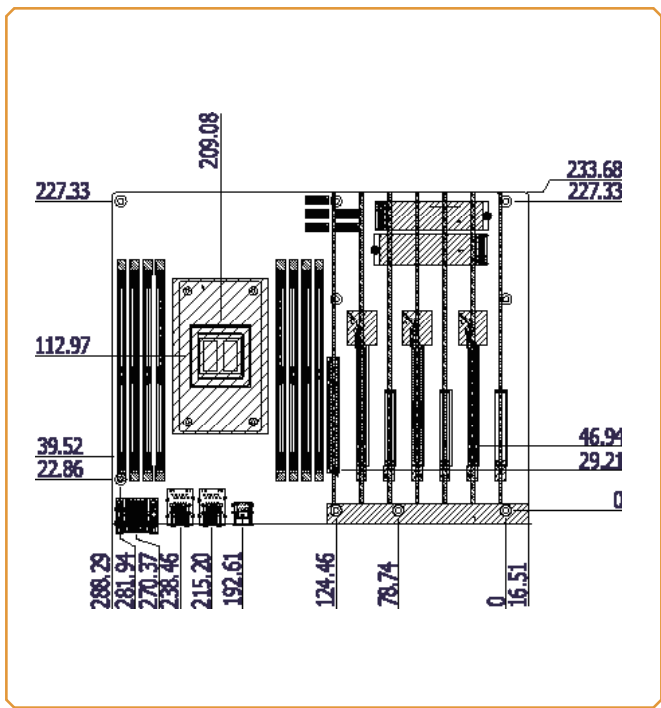


## Features

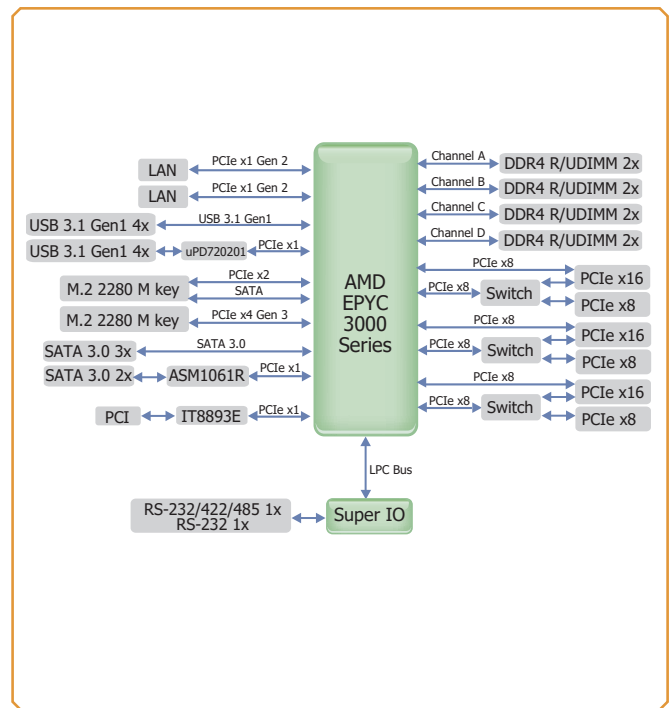
- 8 DDR4 RDIMM/UDIMM up to 256GB
- Expansion: 3 PCIe x16 (up to 6 PCIe x8), 1 PCI, 1 M.2 M Key (PCIe x4 NVMe), 1 M.2 M Key (SATA/PCIe x2 NVMe)
- Rich I/O: 2 COM, 8 USB 3.1 Gen1



## Mechanical Drawing



## Block Diagram



## ► Specifications

<b>SYSTEM</b>	<b>Processor</b>	AMD® EPYC™ Embedded 3451, 16 Core, 32 Threads, 2.14GHz (3 GHz), 80-100W AMD® EPYC™ Embedded 3351, 12 Core, 24 Threads, 1.9GHz (3 GHz), 60-80W	
	<b>Memory</b>	8 DDR4 RDIMM/UDIMM up to 256GB	
	<b>BIOS</b>	Insyde	
<b>EXPANSION</b>	<b>Interface</b>	3 x PCIe x16 (up to 6 PCIe x8) 1 x PCI 1 x M.2 2280 M Key (PCIe x4 NVMe) 1 x M.2 2280 M Key (SATA/PCIe x2 NVMe)	
<b>ETHERNET</b>	<b>Controller</b>	2 x Intel i210AT	
<b>REAR I/O</b>	<b>Ethernet</b>	2 x GbE (RJ-45)	
	<b>USB</b>	6 x USB 3.1 Gen1	
	<b>Serial</b>	1 x RS-232/422/485 (DB-9) 1 x RS-232 (DB-9)	
<b>INTERNAL I/O</b>	<b>USB</b>	2 x USB 3.1 Gen1	
	<b>SATA</b>	3 x SATA 3.0 2 x SATA 3.0 support RAID 0/1	
<b>WATCHDOG TIMER</b>	<b>Output &amp; Interval</b>	System Reset, Programmable via Software from 1 to 255 Seconds/Minutes	
<b>SECURITY</b>	<b>TPM</b>	TPM2.0 (opt.)	
<b>POWER</b>	<b>Type</b>	ATX power input	
	<b>Consumption</b>	TBD	
	<b>RTC Battery</b>	CR2032 Coin Cell	
<b>OS SUPPORT</b>	<b>Microsoft/Linux</b>	Windows 10	Linux
		Windows Server 2016 Windows Server 2019	
<b>ENVIRONMENT</b>	<b>Temperature</b>	Operating: -5 to 65°C	Storage: -40 to 85°C
	<b>Humidity</b>	Operating: 10 to 90% RH	Storage: 10 to 90% RH
	<b>MTBF</b>	TBD	
<b>MECHANICAL</b>	<b>Dimensions</b>	ATX Form Factor 305mm x 244mm	

## ► Packing List

• 1 SO630 motherboard
• 1 I/O shield
• 1 Cooler