



KS101-BT

Atom

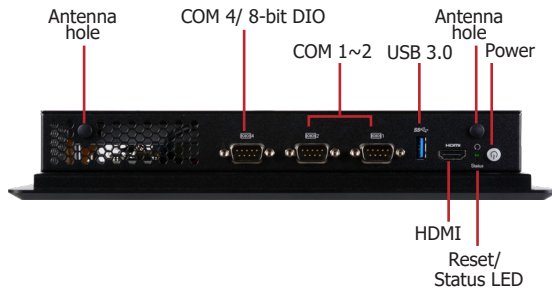


Features

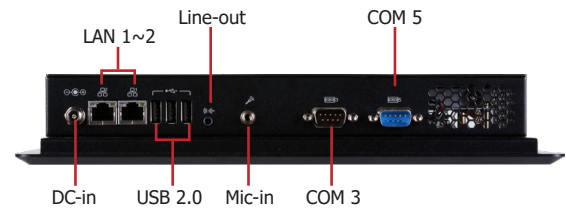
- 10.1" 1280x800 TFT LCD Panel with Touch Screen
- 1x 2.5" SATA drive bay
- IP65 Front Panel Protection
- VESA/Panel Mount
- Rich I/O: 2 LAN, 5 COM, 1 USB 3.0, 3 USB 2.0



Panel

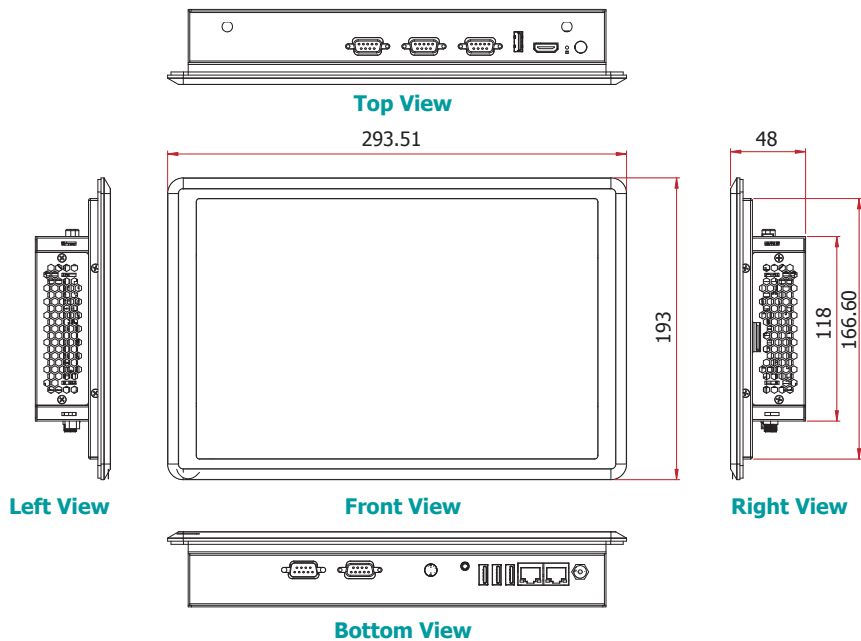


Top View



Bottom View

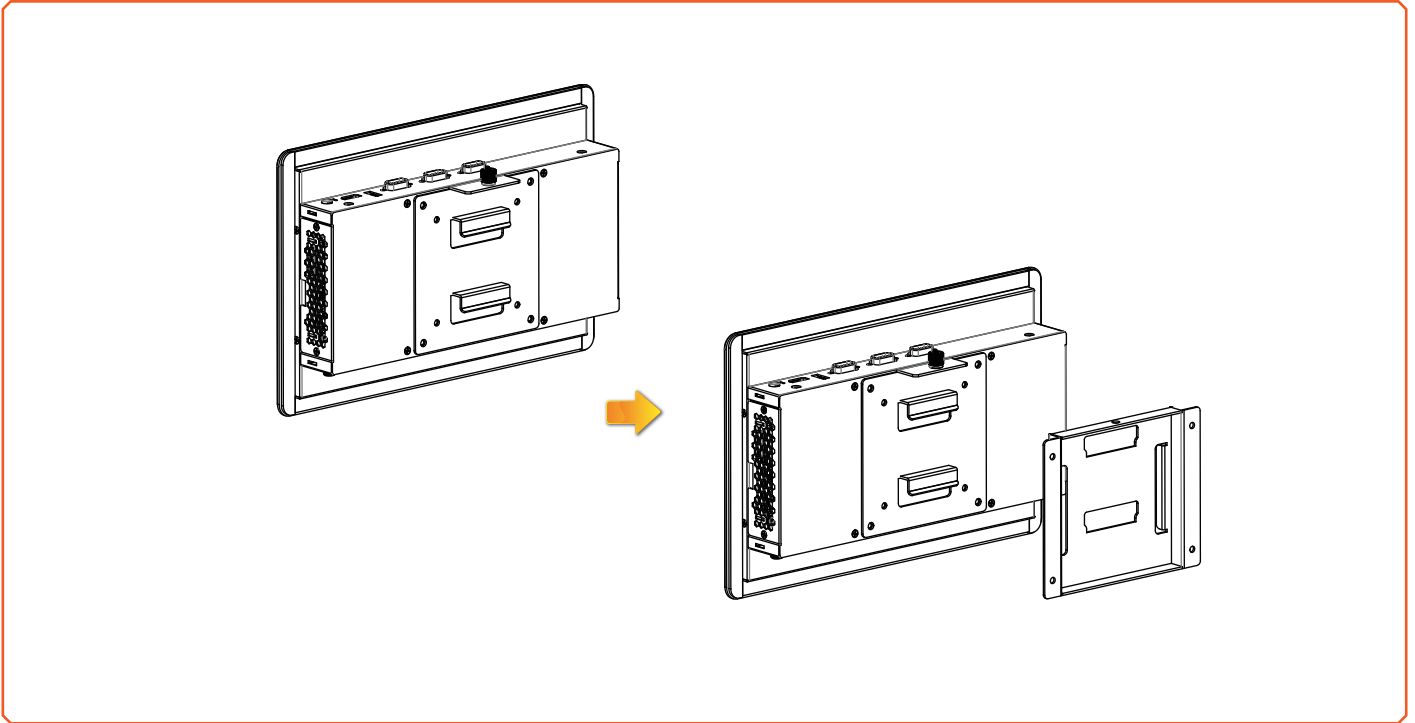
Dimensions



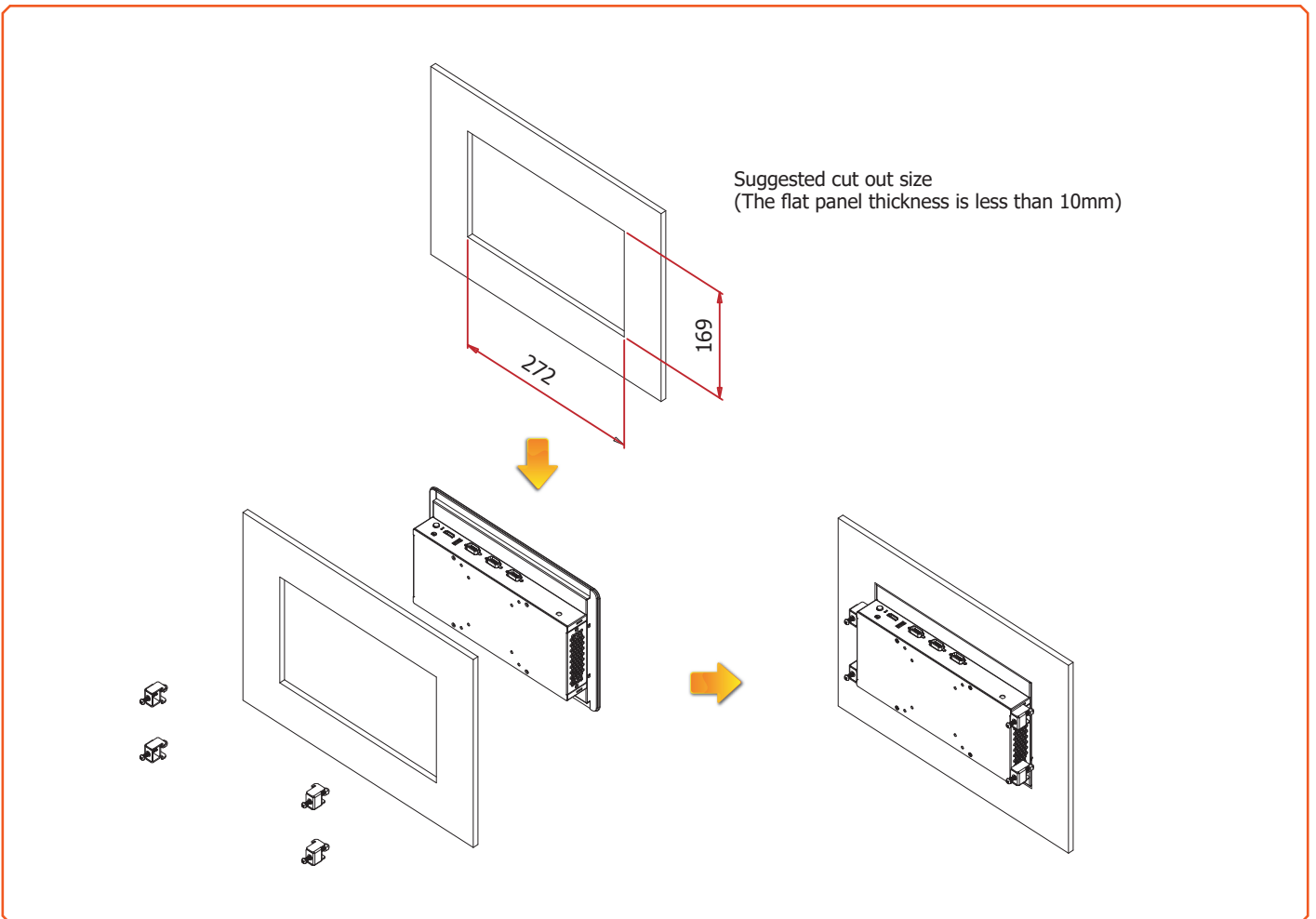
► Specifications

| | | |
|-------------------------------------|---------------------------------|---|
| SYSTEM | Processor | Intel® Atom™ Processor E3800 Series, BGA 1170 Intel® Atom™ Processor E3845, Quad Core, 2M Cache, 1.91GHz, 10W Intel® Celeron® Processor J1900, Quad Core, 2M Cache, 2GHz (2.42GHz), 10W |
| | Memory | 4GB/2GB Memory Down Single Channel DDR3L 1333MHz |
| | BIOS | AMI SPI 64Mbit |
| | DISPLAY AND TOUCH SCREEN | |
| DISPLAY AND TOUCH SCREEN | Display | 10.1" 1280x800 TFT LCD Panel with Capacitive Touch Screen |
| | Brightness | 500 cd/m ² |
| | Contrast | 800:1 |
| | Backlight Lifetime | 50,000 hours |
| GRAPHICS | Controller | Intel® HD Graphics |
| | Feature | DirectX 11, OCL 1.2, OGL 4.0 H.264, MPEG2, MVC, VC-1, WMV9, VP8 (supported version dependent on OS) |
| | Display | 1 x HDMI HDMI: resolution up to 1920x1080 @ 60Hz |
| | Single Display | HDMI |
| STORAGE | | 1 x 2.5" SATA 2.0 Drive Bay 1 x micro SD (available upon request) |
| EXPANSION | Interface | 1 x Full-size Mini PCIe (PCIe/USB/4G) 1 x Full-size Mini PCIe (mSATA) 1 x Half-size Mini PCIe (PCIe/USB/LPC) 1 x SIM Socket |
| AUDIO | Audio Codec | Realtek ALC886 5.1-channel |
| ETHERNET | Controller | 2 x Intel® I210AT PCIe (10/100/1000Mbps) |
| LED | Indicators | 1 x Power LED 1 x HDD LED |
| TOP I/O | Serial | 3 x RS-232/422/485 (DB-9) (one supports 8-bit DIO) |
| | USB | 1 x USB 3.0 (type A) |
| | Display | 1 x HDMI |
| | Buttons | 1 x Power Button 1 x Reset Button |
| | Wi-Fi Antenna | 2 x Wi-Fi Module Antenna Hole |
| BOTTOM I/O | Ethernet | 2 x GbE (RJ-45) (10/100/1000Mbps) |
| | Serial | 1 x RS-232/422/485 (DB-9) 1 x RS-232 (DB-9) |
| | USB | 3 x USB 2.0 (type A) |
| | Audio | 1 x Line-out 1 x Mic-in |
| | WATCHDOG TIMER | Output & Interval |
| POWER | Type | 16~24V DC |
| | Connector | DC Jack |
| OS SUPPORT | | Windows 7 (32bit/64bit) Windows 8.1 Embedded (32bit/64bit) (available upon request) Windows 10 IoT Enterprise (32bit/64bit) Ubuntu 16.04 (64-bit) |
| MECHANISM | Construction | Aluminum Front Bezel |
| | IP Rating | IP65 Front Panel Protection |
| | Mounting | Panel/VESA Mount |
| | Dimensions (W x H x D) | 294mm x 193mm x 48mm |
| | Weight | 1.7 Kg |
| ENVIRONMENT | Operating Temperature | 0 to 60°C |
| | Storage Temperature | -30 to 80°C |
| | Relative Humidity | 5 to 85% RH (non-condensing) |
| STANDARDS AND CERTIFICATIONS | Shock | OP: Half-sine, 3G @ 11ms Non-OP: Half-sine, 5G @ 11ms |
| | Vibration | OP: Random, 1Grms @ 5~500Hz, 30min Non-OP: Sweep sine, 3Grms @ 10~500Hz, 30min |
| | Certifications | CE, FCC |
| | | |

▶ VESA Mounting



▶ Panel Mounting



► Ordering Information

| Model Name | Part Number | Description |
|------------------------|-----------------|--|
| KS101-BTW24-E45 | 750-KS1010-000G | 10.1" Panel PC, Intel® Atom™ E3845, 4GB Memory Down |
| KS101-BTW24-J00 | 750-KS1010-100G | 10.1" Panel PC, Intel® Celeron® J1900, 2GB Memory Down |

► Optional Items

| Optional Items | Part Number | Description |
|----------------------|-----------------|--|
| HDD | 785-H25500G | 2.5" SATA HDD, 500GB, RoHS |
| | 785-H25320G | 2.5" SATA HDD, 320GB, RoHS |
| | 785-S251TBG | 2.5" SATA SSD, 1TB MLC, RoHS |
| | 785-S25512G | 2.5" SATA SSD, 512GB MLC, RoHS |
| | 785-S25256G | 2.5" SATA SSD, 256GB MLC, RoHS |
| | 785-S25128G | 2.5" SATA SSD, 128GB MLC, RoHS |
| | 785-S25064G | 2.5" SATA SSD, 64GB MLC, RoHS |
| | 785-S25032G | 2.5" SATA SSD, 32GB MLC, RoHS |
| mSATA | 785-MS128GMF | mSATA Card, 128GB MLC, RoHS |
| | 785-MS64GMF | mSATA Card, 64GB MLC, RoHS |
| | 785-MS32GMF | mSATA Card, 32GB MLC, RoHS |
| | 785-MS16GMF | mSATA Card, 16GB MLC, RoHS |
| | 785-MS08GMF | mSATA Card, 8GB MLC, RoHS |
| | 785-MS04GMF | mSATA Card, 4GB MLC, RoHS |
| Wi-Fi | 761-110091-000G | Wi-Fi kit, RoHS |
| Power Cord | 785-PWRD | Power cord, Standards (USA/EUR/CH), 1.8m, RoHS |
| Power Adapter | 671-110003-100G | 120W, 19V/6.3A, Level 6, RoHS |
| Panel Mount | 761-VS1010-000G | Accessory Panel Mount Kit VIS101, RoHS |

785-XXX is a group number instead of a unique part number. Please contact your regional sales representative if you need more information.

► Packing List

| |
|------------------------------|
| • 1 KS101-BT Touch Panel PC |
| • 1 Poron foam |
| • 1 Quick Installation Guide |
| • 1 CD disk includes: |
| - Manual |