

1 2 3 4 5

A

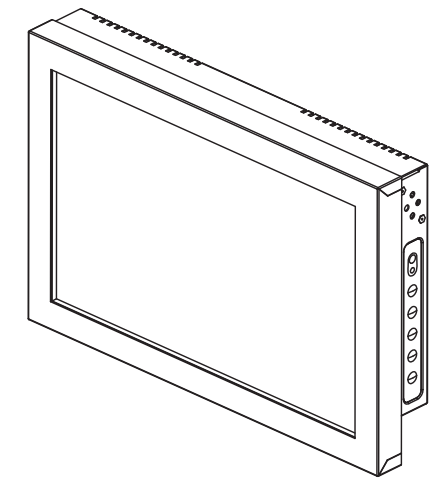
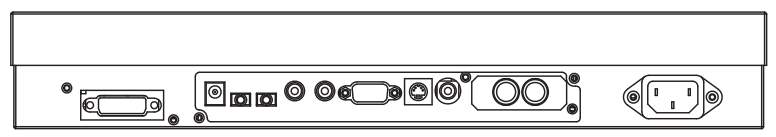
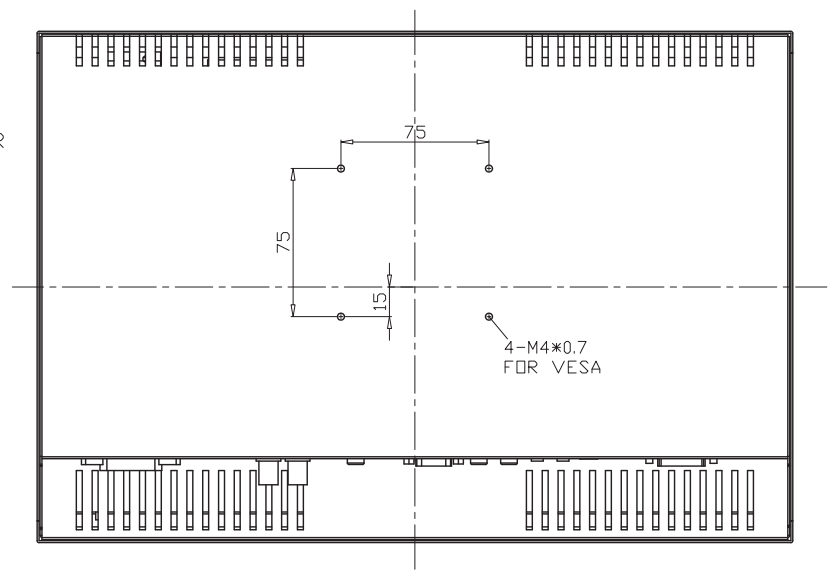
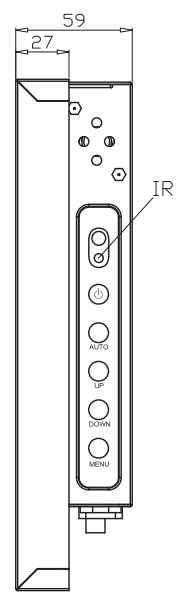
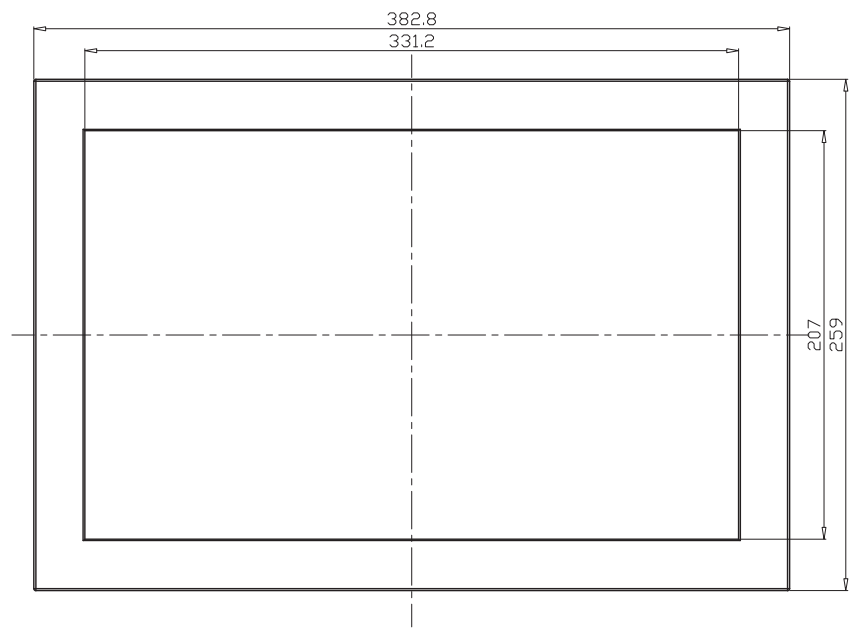
B

C

A

B

C



D

D

AD/BOARD		MODEL	CH1545		泓瑜科技有限公司 WINSONIC TECH. CO., LTD.				
INVERTER									DIN207/DIN403
KEY PAD		PART NO.	SECC		PART NAME		ASSEMBLY		
PANEL: CMO-N15414-L02 NL154PW01					DATE	10/16/2007	APPROVED	DRAWN	
								DWG SIZE	

1 2 3 4 5