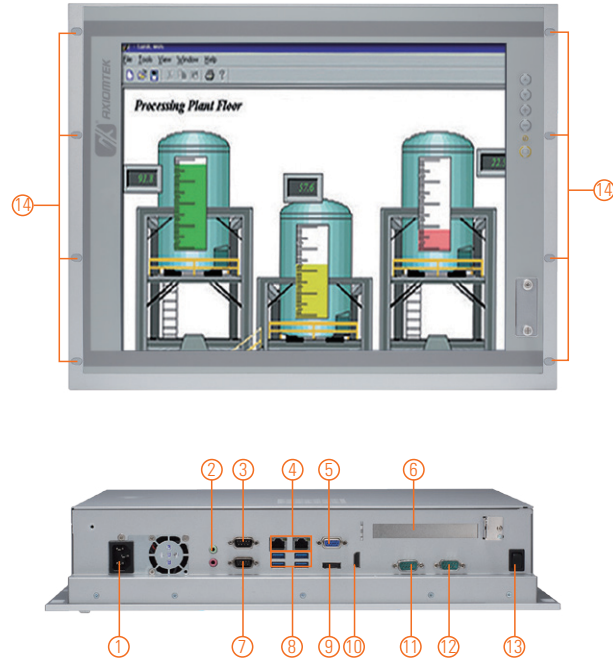
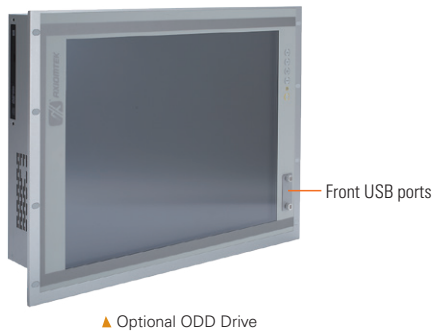


# P1197E-500

19" SXGA TFT Expandable Industrial Touch Panel Computer with 7th/6th Gen Intel® Core™ i7/i5/i3, Celeron® & Pentium® Processor, PCI/PCIe Slot

## Features

- 19" SXGA TFT LCD display
- LGA1151 socket 7th/6th gen Intel® Core™ i7/i5/i3, Celeron® & Pentium® processor
- Intel® H110 chipset
- Less screw design for easy installation
- 4 USB 3.0, 2 USB 2.0 and 4 COM
- One PCIe x4 or one PCIe expansion slots
- Built-in speakers and optional Wi-Fi 802.11 b/g/n module
- Robust aluminum with IP65 compliant front bezel design



1. AC plug
2. Audio (Mic-in/Line-out)
3. 1 x RS-232/422/485
4. 2 x LAN
5. VGA
6. PCIe x4 or PCI
7. 1 x RS-232
8. 4 x USB 3.0
9. 1 x DisplayPort
10. 1 x HDMI
11. 1 x RS-232
12. 1 x RS-232
13. Power switch
14. Rack mount hole



## Introduction

The P1197E-500 is a multimedia 19" touch panel PC for kiosk application. It has a fashionable mechanism design and industrial-grade material front bezel which can avoid damage from chemical corrosion. To meet the demands of multimedia application, the P1197E-500 is powered by a high performance LGA1151 socket 7th/6th generation Intel® Core™ processor with the Intel® H110 chipset. It features four COM ports, two Gigabit Ethernet and up to 32GB memory of dual-channel DDR4-2133 that delivers high computing capability for high performance-demanding applications. The industrial touch panel PC is most suitable for kiosk, factory and automation.

### Expandable for 1 PCIe or 1 PCI

The P1197E-500 has one PCIe x4 or one PCI slot for expansion purpose. User can easily plug in standard half-size PCI or PCIe card based on any application needs.

### Speaker and WLAN Antenna Supported

The P1197E-500 is equipped with built-in speakers for multimedia applications. It also supports WLAN module antenna (optional) for wireless network connectivity.

### Friendly Less Screw Design

The P1197E-500 is designed with ease of maintenance in mind. There are only three screws on the back chassis, so that technicians can quickly remove the system's back cover with minimum effort.

## Specifications

Front Bezel	Aluminum w/ IP65/NEMA 4 rugged protection
LCD Panel	Display Type 19" SXGA TFT LCD
	Brightness 250 nits
	Resolution 1280 x 1024 pixels
	Viewing Angle 170°/160°
Main System	CPU LGA1151 socket 7th/6th gen Intel® Core™ i7/i5/i3, Celeron® & Pentium® processor
	Chipset Intel® H110
	System Memory 2 x 288-pin DDR4-2133 Long-DIMM, up to 32GB
	BIOS AMI UEFI BIOS
	Storage 1 x 3.5" or 1 x SATA HDD (9.5 mm height)
	Drive 1 x Built-in slim DVD-RW (optional)
	Watchdog Timer 255 levels, 1 to 255 sec.

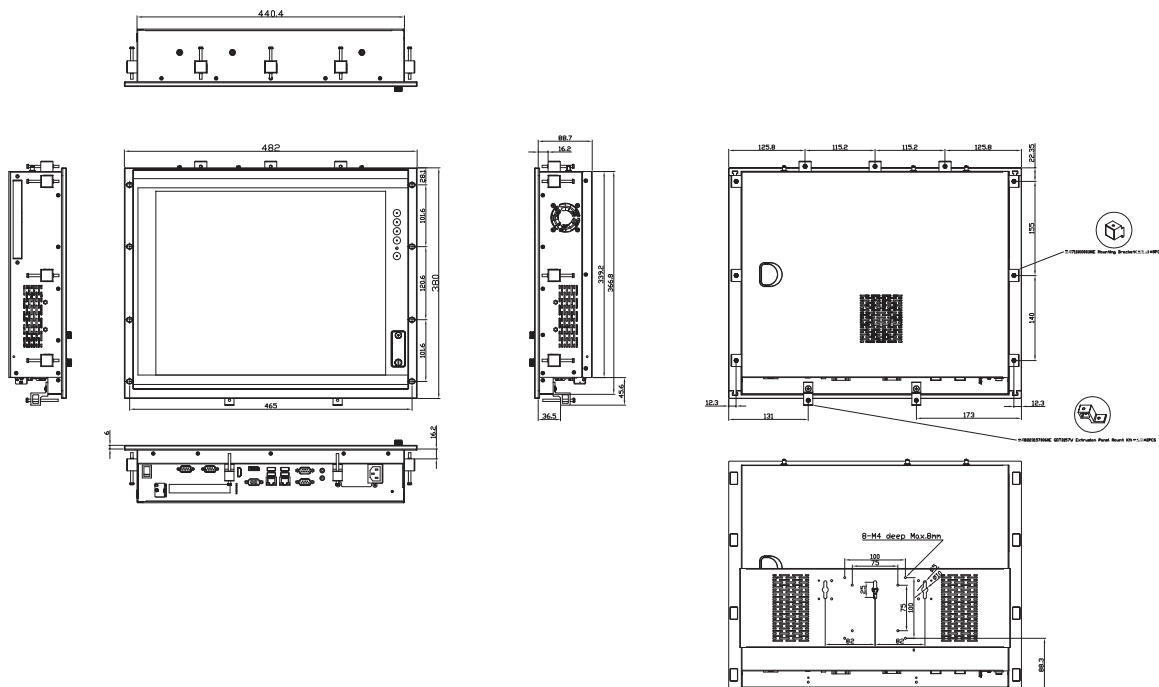
## Specifications

IO Connector	3 x RS-232 1 x RS-232/422/485 1 x HDMI 1 x VGA 1 x DisplayPort 4 x USB 3.0 2 x USB 2.0 2 x 10/100/1000 Mbps Ethernet (Intel® i219-LM/i211-AT) 1 x Audio (Mic-in & Line-out)
TPM	N/A
Expansion Interface	1 x PCIe x4 or 1 x PCI
Touchscreen	5-wire resistive type Light transmission 79% 1 million activations (typical) at a single point
Power Supply	100 to 240 VAC, 200W
Power Consumption	157W
Dimensions	482 mm (18.98") (W) x 94.7 mm (3.73") (D) x 380.8 mm (14.99") (H)
Packing Dimensions	615 mm (24.21") (W) x 250 mm (9.84") (D) x 585 mm (23.03") (H)
Weight(net/gross)	8 kg (17.64 lb)/10.4 kg (22.93 lb)
Operating temperature	0°C to +45°C (+32°F to +113°F)
Relative humidity	10% to 90% @ +40°C, non-considering
Operating vibration	1.0G, 5 - 500 Hz, random
Certifications	CE

## Packing list

- 1 x P1197E-500
- 1 x Driver CD
- 1 x Panel mount kit
- 1 x US power cord

## Dimensions



## Ordering Information

P1197E-500 with PCIe	19" SXGA expandable industrial touch panel computer with LGA1151 socket 7th/6th gen Intel® Core™ i7/i5/i3, Pentium® & Celeron® processor, resistive touch screen, PCIe x4 slot and 100 to 240 VAC
P1197E-500 with PCI	19" SXGA expandable industrial touch panel computer with LGA1151 socket 7th/6th gen Intel® Core™ i7/i5/i3, Pentium® & Celeron® processor, resistive touch screen, PCI slot and 100 to 240 VAC

\*Specifications and certifications may vary based on different requirements.

## Optional Accessories

Wi-Fi kit	
82211970070E	VESA & wall mount kit
E981604011	ATC10 (VESA arm clamp type)
E981604012	ATW10 (VESA arm wall mount)
E221177116	PPC HA741L black stand (L)

## Optional EOS Installation

Windows® 10 IoT Enterprise

## Optional OS Installation

Windows® 10



▲ Less screw design