

MPC103-845

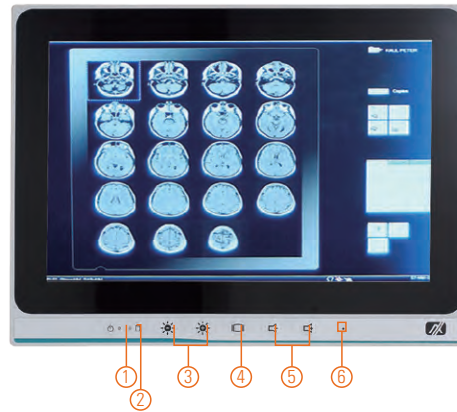
10.1" WXGA TFT Fanless Medical Grade Touch Panel Computer with Intel® Celeron® Processor N3060

Features

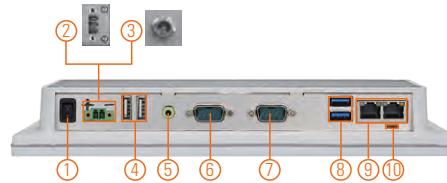
- 10.1" WXGA TFT LCD display with LED backlight
- Fanless design with Intel® Celeron® processor N3060
- 2 GbE LANs, 4 USB and 2 COM
- Plastic and IP65-rated front bezel
- Supports RFID (optional)
- External AT/ATX mode selection switch
- Easy access storage design
- Supports panel mount, wall mount, VESA arm and desktop stand
- Adjustable RS-232/422/485 setting via BIOS
- 4th EN 60601-1 (ESD contact 8KV, air 15KV), CE and FCC



▲ Side view



1. Power LED
2. HDD LED
3. Brightness adjust +/-
4. Display on/off
5. Volume adjust
6. Mic-in (optional)



1. Power switch (ATX)
2. Terminal block for DC power input
3. Screw connector with AC power adapter
4. 2 x USB 2.0
5. Audio (Line-out)
6. 1 x RS-232/422/485
7. 1 x RS-232
8. 2 x USB 3.0
9. 2 x LAN
10. AT/ATX switch



Introduction

The MPC103-845 is a 10.1" fanless medical touch panel computer. It adopts a modern, super sleek and fanless design and is equipped with a 10.1" TFT LCD as well as Intel® Celeron® processor N3060 dual core up to 2.48 GHz. For wireless network connection, the MPC103-845 offers 2 PCI Express Mini Card slots. By just plugging in the WLAN card, customers can have instant access to wireless LAN/GPRS/GSM/4G environments. Besides, it provides two types of power input: DC power with terminal block connector and AC power adapter with screw type connector.

Super Slim & Ultra Lightweight Design

With a thickness of 38 mm and weight of 1.08 kg, the MPC103-845 is designed for use in space-constrained environments.

Certifications

This 10.1-inch medical panel platform complies with 4th version of EN 60601-1 and CE, FCC Class B certifications to ensure medical operation safety.

Aluminum Back Chassis with Excellent Thermal Solution

With Axiomtek's patent for plastic plus aluminum mechanism design, the MPC103-845 can dissipate the heat easily and keep the system operation stable.

Specifications

Front Bezel	IP65, NEMA 4 rugged protection, plastic front bezel	
LCD Panel	Display Type	10.1" WXGA TFT LCD with LED backlight
	Brightness (cd/m ²)	350 nits
	Resolution	1280 x 800
	Viewing Angel (H/V)	170°/170°
Main System	CPU	Intel® Celeron® processor N3060 2 cores (up to 2.48 GHz)
	System Memory	1 x 204-pin DDR3L-1600 SO-DIMM, up to 8GB
	BIOS	AMI UEFI BIOS
	Storage	1 x Half-slim SATA SSD (for MPC103-845-PCT-J, optional) 1 x mSATA
	Watchdog Timer	255 levels, 0 to 255 sec.
	Onboard Graphics	Integrated in Intel® GFX

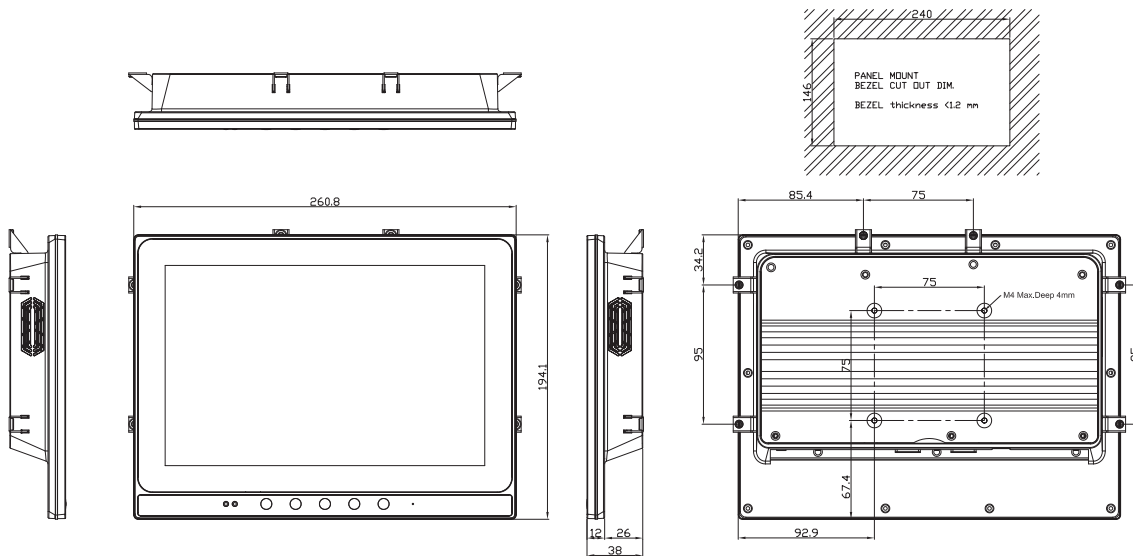
Specifications

I/O Connector	1 x RS-232 1 x RS-232/422/485 (default RS-232) 1 x Switch for power on/off 1 x AT/ATX mode selection switch 2 x USB 2.0 2 x USB 3.0 1 x Audio (Line-out) 2 x 10/100/1000 Mbps Ethernet (Intel® i211-AT)
Expansion Interface	1 x Full-size PCI Express Mini Card slot with mSATA 1 x Full-size PCI Express Mini Card slot with SIM
Touchscreen	Projected capacitive multi-touch
Power Supply	AC version: 100 to 240 VAC-DC, 65W power adapter or DC version: 9 to 36 VDC with over current protection fuse
Power Consumption	40.32 W
Dimension	387.9 mm (15.27") (W) x 54.6 mm (2.14") (D) x 307.7 mm (12.11") (H)
Packing Dimensions	510 mm (20.08") (W) x 105 mm (4.13") (D) x 385 mm (15.16") (H)
Weight (net/gross)	1.08 kg (2.38 lb)/2.18 kg (4.8 lb)
Operating Temperature	0°C to +40°C (+32°F to +122°F)
Relative Humidity	20% to 90% @ +40°C; non-condensing
Operation Vibration	2G, 5 - 500Hz, random for SSD
Certifications	4th EN 60601-1 (ESD contact 8KV, air 15KV), CE and FCC

Packing List

1 x MPC103-845
1 x Driver CD
1 x Adapter (MPC103-845-J)
1 x Power cord (MPC103-845-J)
1 x Phoenix connector (MPC103-845 DC)

Dimensions



Ordering Information

Standard	
MPC103-845-J	10.1" WXGA fanless medical touch panel computer with Intel® Celeron® processor N3060, projected capacitive touch screen, AC-DC 65W power adapter (screw type connector) and EMI class B
MPC103-845-DC	10.1" WXGA fanless medical touch panel computer with Intel® Celeron® processor N3060, projected capacitive touch screen and DC power input (terminal block connector)

Optional Accessories

Wi-Fi + Bluetooth kit	
Half slim SATA SSD bracket kit	
82251030080E	GOT5103W-845 half slim SSD kit SFP for GOT5103W-845-PCT-J
881251030A0E	Panel mount kit
881238460A0E	Wall mount kit
881251203A0E	RFID kit
E226171119	Stand Kit

*Specifications and certifications may vary based on different requirements.

Optional EOS Installation

WES 7
WE8S (64-bit)

Optional OS Installation

Windows® 7
Windows® 8.1 (64-bit)
Windows® 10

