

CEM841

COM Express Type 2 Basic Module with Intel® Celeron® Processor J1900/N2807

Features

- Intel® Celeron® processor J1900/N2807 Quad/Dual Core (Bay Trail)
- 2 DDR3L SO-DIMM-1066/1333, up to 8GB
- Max. up to 8 lanes of PCIe
- 1 SATA-300 and 1 IDE
- 8 USB 2.0

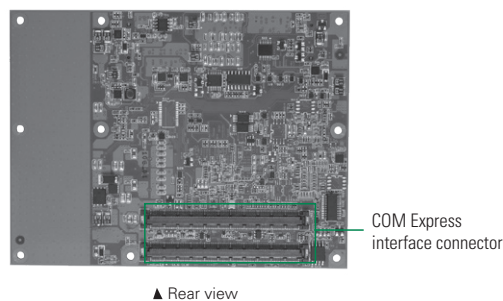
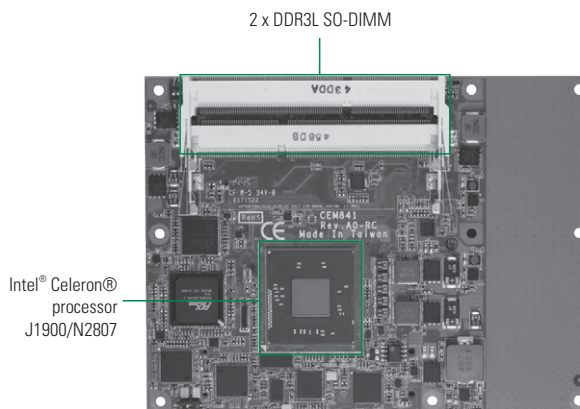


Core System

CPU	Intel® Celeron® processor J1900 2 GHz or Celeron® N2807 1.58 GHz onboard
System Memory	2 DDR3L-1066/1333 SO-DIMM, up to 8GB
Chipset	SoC integrated
BIOS	AMI uEFI (Legacy free)
SSD	N/A
Watchdog Timer	255 levels, 1 ~ 255 sec.
Expansion Interface	1 PCIe x4 plus 4 x PCIe x1 (or 3 x PCIe x1 while internal LAN is connected)
Battery Lithium	N/A
Power Requirements	ATX: +12V and 5VSB or AT: +12V
Size	125 x 95 mm
Board Thickness	2.0 mm
Temperature	0°C ~ +60°C (+32°F ~ +140°F), operation
Operation Humidity	10% ~ 95% relative humidity, non-condensing

I/O

MIO	1 x LPC interface 1 x IDE
SATA	1 x SATA-300
Hardware Monitoring	Yes
Ethernet	1 port as 10/100/1000Mbps supports Wake-on-LAN, PXE Boot ROM with Intel® i210AT
Audio	HD link interface to baseboard for Codec
USB	8 x USB 2.0
SMBus	Yes
Digital I/O	4 channels IN & 4 channels OUT



Display

Chipset	Intel® HD graphics (Gen 7 Gfx) display engine Gfx APIs – DX11, OCL 1.2, OGL 3.0 2 independent displays
Display Interface	1 x VGA 1 x LVDS; 18/24-bit dual channel

Packing List

Quick installation guide, user's manual/utility CD

Ordering Information

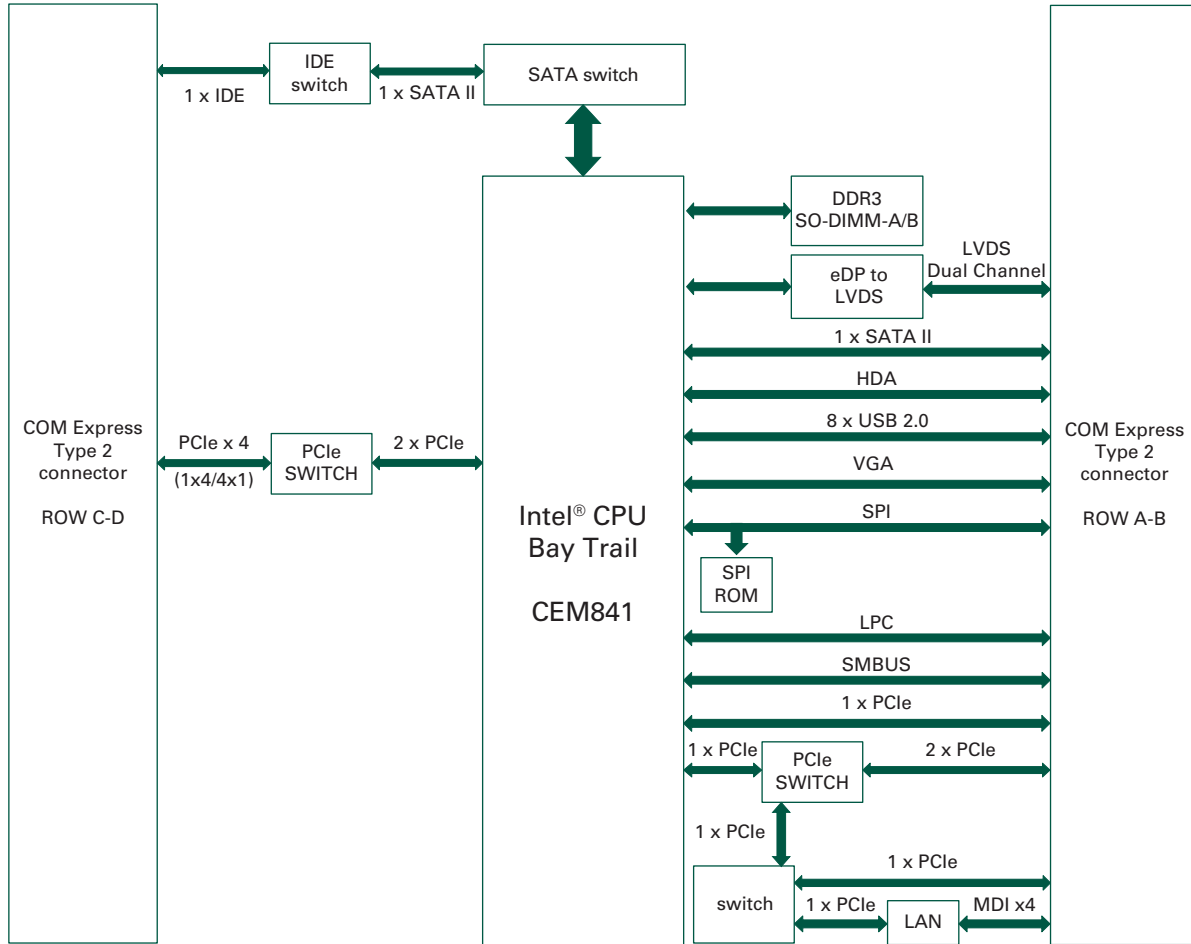
Standard	
CEM841VG-N2807 (P/N: E38D841100)	COM Express Type 2 module with Intel® Celeron® N2807, VGA/LVDS, USB and GbE LAN
CEM841VG-J1900 (P/N: E38D841101)	COM Express Type 2 module with Intel® Celeron® J1900, VGA/LVDS, USB and GbE LAN

Optional Accessories

CEB94000 (P/N: E394000100)	ATX form factor Type 2 evaluation baseboard
5078D841100E	CEM841/2/3 heat spreader
5078D842200E	CEM841/2/3 heat sink without fan

Note: 5078D842200E has to be used with 5078D841100E

Block Diagram



Express Type 6 Module	COM	0
		1
		2
		3
		4
		5
		6
		7