



## SSD3840

**38" Resizing Local Dimming LCD, 2000 nits LED Ultra High Brightness, 1920x502 ultra wide aspect ratio 16:4.2**

SSD3840 is an innovative ultra-wide, sunlight readable, Ultra High Brightness LED backlight & Local Dimming LCD display. It provides LCD panel with specific ratios for digital signage, public transportation, exhibition hall, department store, vending machine and industrial applications. Incorporating with A.D. control board and backlight design, it is high brightness and sunlight readable panel, can display high-quality video with energy-efficient.

### Key Features

- Resizing LCD
- Ultra Wide Screen (16 : 4.2)
- Sunlight Readable
- LED Backlight
- Ultra High Brightness 2000 nits
- Local Dimming
- Low Power Consumption
- Wide Dimming
- Slim Bezel



## Specifications

V1

<b>Model No.</b>	<b>SSD3840</b>
<b>Description</b>	38" Resizing LCD, 2000 nits LED Ultra High Brightness, 1920x502
<b>Display Area</b>	930.2 x 243.2 mm
<b>Brightness</b>	2,000 cd/m <sup>2</sup>
<b>Resolution</b>	1920 x 502
<b>Aspect Ratio</b>	16 : 4.2
<b>Contrast Ratio</b>	5600:1
<b>Pixel Pitch (mm)</b>	0.4845 x 0.4845
<b>Pixel Per Inch (PPI)</b>	52
<b>Viewing Angle</b>	176°(H), 176°(V)
<b>Display Colors</b>	16.7M
<b>Response Time (Typical)</b>	6.5 ms
<b>Sync</b>	LVDS
<b>Power Consumption (Local Dimming)</b>	Black (100% ) => 23W Black (50% ) & White (50%)=> 75W White (100%)=> 130W
<b>Dimensions (mm)</b>	967.6 x 279.4 x 61.3
<b>Weight (Net)</b>	10.5Kg
<b>LED Driving Board</b>	<b>LID38</b>
<b>Control Board (Optional)</b>	<b>AD2662GD / AD2662GDVAR</b>
<input type="checkbox"/> AD2662GD	VGA + DVI
<input type="checkbox"/> AD2662GDVAR	VGA + DVI (Optional AV/ S-Video / Component / Audio)
<input type="checkbox"/> Others	
<b>F / R Control Button</b>	5 Key / 4 Key
<input type="checkbox"/> 4 Key	Power Switch, Menu, Select (+,-),
<input type="checkbox"/> 5 Key	Power Switch, Menu, Select (+,-),Auto
<b>OSD Menu</b>	Brightness, Contrast, H/V Position, Color, Phase, Clock...
<b>Optional</b>	<input type="checkbox"/> Touch Screen

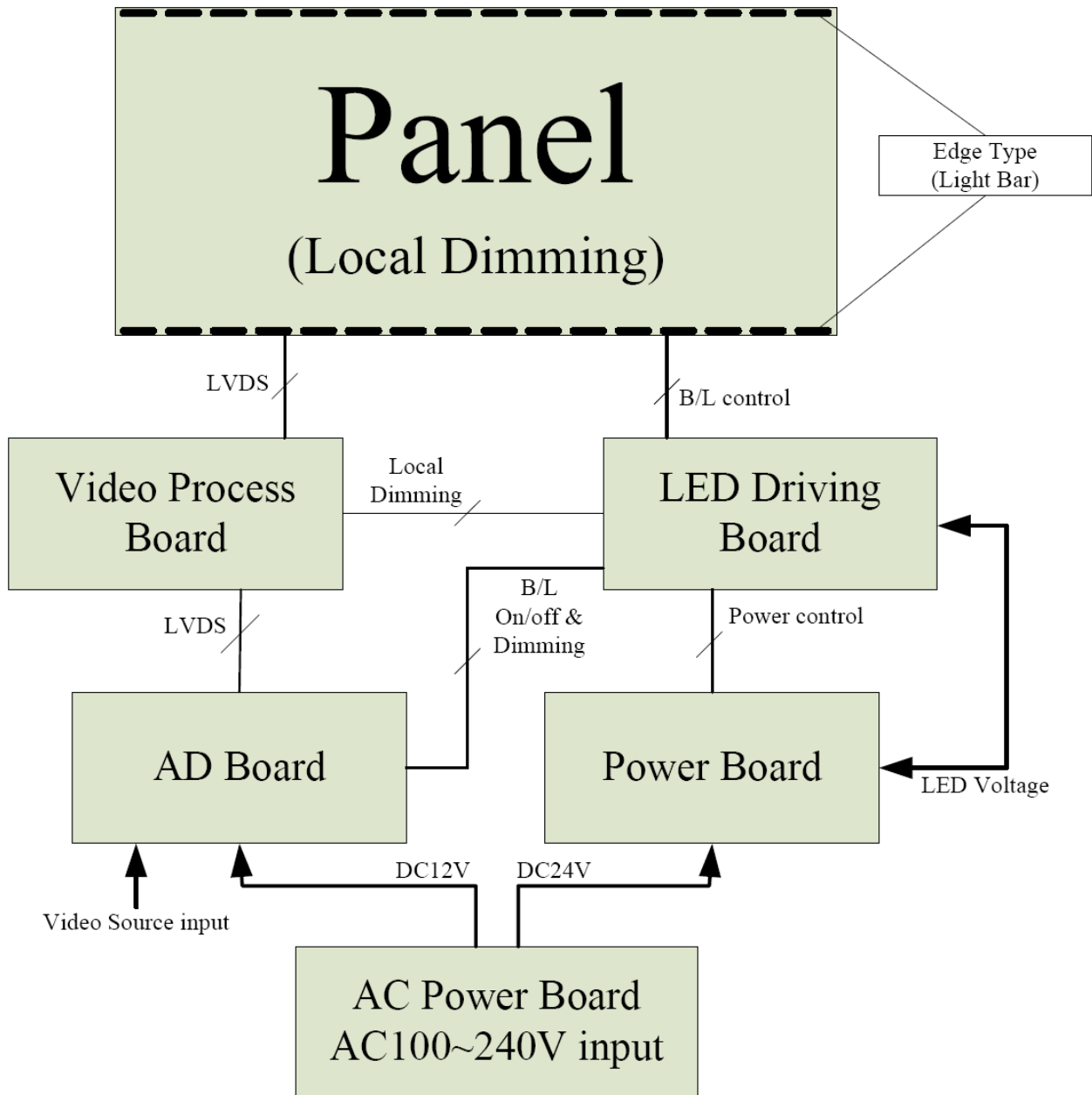
*Specifications are subject to change without notice.*

*All brands or product names are trademarks or registered trademarks of their respective companies.*

**SSH= Panel+ LED Driving Board + Control Board**



## Block Diagram



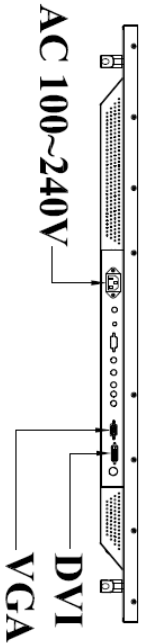
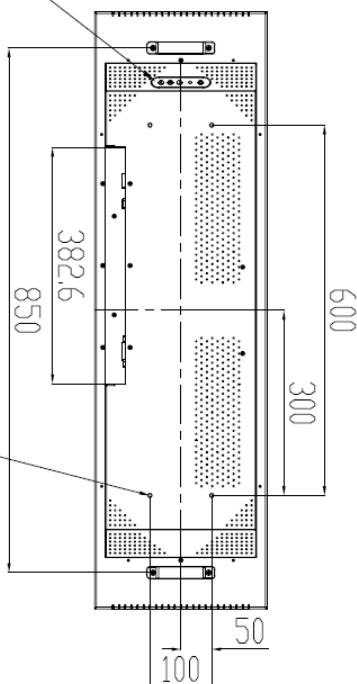
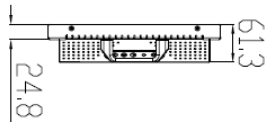
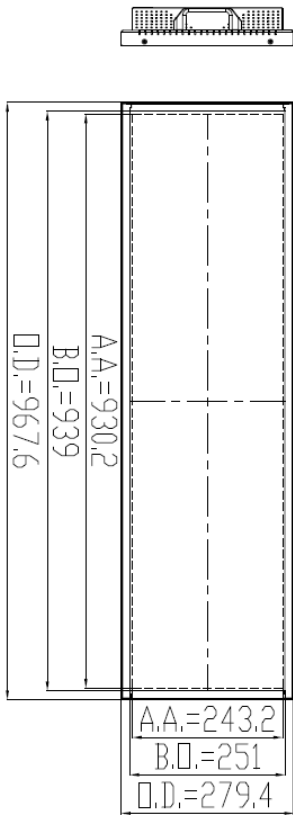
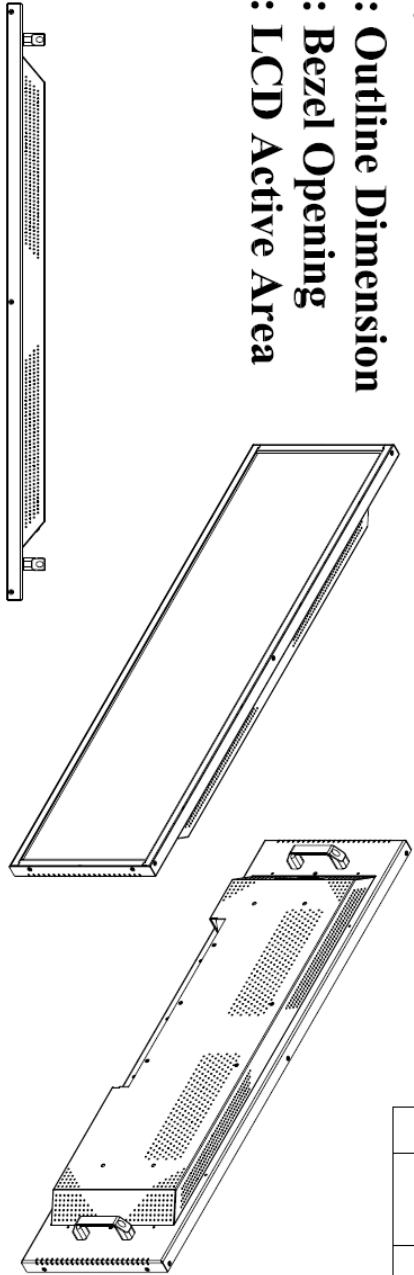


Mechanical Drawing

Outline Dimensions

Unit: mm

**Note :**  
**O.D. : Outline Dimension**  
**B.O. : Bezel Opening**  
**A.A. : LCD Active Area**



**MEMBRANE 4-KEY**

**4-M6 SCREW**  
**Max Depth = 12 mm**

REV	EQUIV. NO.	DESCRIPTION	SIGN.	DATE
1/1		Design Drawing	Jerry_Zhong	2013/03/29

APPROVED	CHECKED	DESIGNED	LEVEL	General	Tolerance	±
		Jerry_Zhong	DIM.	1	2	3
			4	14	0.05	0.1
			4.4	63	0.05	0.1
			63	250	0.1	0.2
			250	400	0.3	0.5
			400	4000	0.8	0.8

INT	SCALE	HEIGHT	PALETTE	TELESCALE	3rd Angle	ORIGIN
mm	1:1					RS:SSD3840

TITLE	DIM
ISSUING NUMBER NO.	RS-SSD3840-ENB-G21

RESCRIPTION	SIZE	SHR	REV
RS-SSD3840-ENB-G21	A4	1-1	X1



### Ordering Information

Model Name	Description
<b>SSD3840-ENB-G21</b>	38", 2000nits, 1920*502, LID38, AD2662GD, O/B, Local Dimming, AC100~240V input, 2 in 1, V2

### Optional Accessories

Part Number	Description
<b>810618301010 (Optional)</b>	CABLE.POWER.AC.1830mm.(US Type).3PIN PLUG TO SOCKET.SVT(SPT-2 )18AWG 3C BLACK.P.
<b>810618301090 (Optional)</b>	CABLE,POWER,AC,1830mm.(EU Type) 3PIN PLUG TO.SOCKET,H05VV-F 3G.0.75MMSQ BLACK,P
<b>810618301050 (Optional)</b>	CABLE,POWER,AC,1830mm.UK(FUSE) 3PIN PLUG TO.SOCKET,H05VV-F 3C(3G) 0.75MMSQ BLACK,P
<b>810618301170 (Optional)</b>	CABLE.POWER,AC,1830mm. (AU Type) 3PIN PLUG TO 2P SOCKET.LTSA 0.75MMSQ BLACK,P
<b>810618301030 (Optional)</b>	CABLE.POWER.AC.1830mm.(JP Type).2PIN PLUG Y TERMINAL TO. SOCKET.VCTF 3C 0.75MMSQ BLACK,P