

# PPC-Z193

**Arestech**

19" IP66/69K Waterproof Stainless Steel 316 Projected Capacitive Touch /  
5 Wire Resistive Touch Panel PC with Intel® Pentium® N4200 CPU



## Features

- 19" SXGA LCD Panel with Projected Capacitive Touch/ Resistive Touch
- Stainless Steel SUS316, Full IP66/69K Waterproof
- Support VESA Mounting and Yoke Mounting
- Completely Flat Front Panel Design

## Applications

- Food & Beverage Processing Application
- Hospitality and Catering Service
- Pharmaceutical and Biopharmaceutical Equipment
- Animal Feed Production Facility
- Chemical, Gas & Oil Critical Environment

## → Packing List

Description
1 x PPC-Z193

## → Optional Items

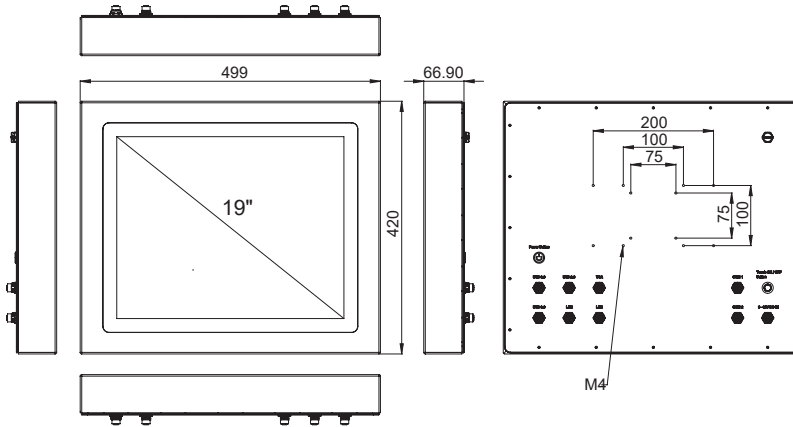
Part No.	Description
APW-60M12V-01	12V, 60W, 5A, 5-pin M12 Connector (US)
APW-60M12V-02	12V, 60W, 5A, 5-pin M12 Connector (EU)
AKT-USB2M12	M12 Connector to USB2.0 Cable, 2m
AKT-USB32M12	M12 Connector to USB3.0 Cable, 2m
AKT-COM2M12	M12 Connector to DB9 Cable, 2m
AKT-VGA2M12-M	M12 Connector to DB15 Male Cable, 2m
AKT-LAN2M12	M12 Connector to LAN Cable, 2m
AWD-WF006	wifi 802.11 a/b/g/n/ac/BT4.0 (2T2R) + 2 IP66 antenna(dual band), miniPCIe Half size
AWD-WF007	wifi 802.11 b/g/n (1T1R) + 1 IP66 antenna(dual band), Half size miniPCIe, for PPC Z-series

## → Ordering Information

Part No.	Description
PPC-Z193P-B6A1	19" 4:3 (1280 x 1024), 350nits, Stainless Steel 316 Full IP66/69K Protection, Fanless Panel PC with Intel® Pentium® N4200 CPU, Projected Capacitive Touch, 4G RAM, 128G SSD, 1 VGA, 2 USB 3.0, 2 USB 2.0, 1 RS232, 1 RS-232/422/485, 2 GbE, DC 9-36 V (M12 Connector)
PPC-Z193R-B6A1	19" 4:3 (1280 x 1024), 350nits, Stainless Steel 316 Full IP66/69K Protection, Fanless Panel PC with Intel® Pentium® N4200 CPU, 5 Wire Resistive Touch, 4G RAM, 128G SSD, 1 VGA, 2 USB 3.0, 2 USB 2.0, 1 RS232, 1 RS-232/422/485, 2 GbE, DC 9-36 V (M12 Connector)

# PPC-Z193

## → Dimensions



## → Specifications

Model		PPC-Z193P-B6A1	PPC-Z193R-B6A1
Processor System	CPU	Intel® Pentium® N4200 CPU	
	Frequency	Quad-Core up to 2.5GHz	
	L2 Cache	Intel® Smart Cache 2 MB	
	System Chipset	N/A	
	BIOS	UEFI	
Memory	Technology	DDR3L 1866 MHz SDRAM	
	Max. Capacity	8 GB	
	Socket/ (On Board)	2, (204-pin SO-DIMM)	
Display	Panel Size	19" LCD Panel	
	Aspect Ratio	4:3	
	Resolution	1280 x 1024 (SXGA)	
	Viewing Angle	85 x 85 (H) x 80 x 80 (V)	
	Brightness	350 (cd/m2)	
	Contrast Ratio	1000:1	
	VGA / HDMI / DP / DVI	VGA, 1920 x 1200 @ 60Hz	
Touchscreen	Multi Display	LCD Panel	
	Touchscreen Type	Projected Capacitive Touch	5-wire Resistive Touch
	Surface Hardness	7 Mohs	3 Mohs
	Durability	N/A	36 millions times
I/O Interface	Transparency	90% (±3%)	80% (±3%)
	USB	4, 2 USB 3.0, 2 USB 2.0, M12 Connector	
	Serial Port	2, COM (1 RS-232, 1 RS-232/422/485), M12 Connector	
	Digital I/O	N/A	
	Ethernet	Dual GbE, 10/100/1000 Mbps (Intel i211AT)	
Expansion	Others	N/A	
	miniPCIe/ M.2 Slot	1, Mini PCIe (Full-size, PCIe X1 / USB2.0)	
Audio	PCI/ PCIe Slot	N/A	
	Connector	N/A	
Storage	HDD/SSD	1, Internal 2.5" HDD/SSD	
	mSATA/ M.2 / eMMC	1, M.2 E Key 2242 (SATAIII)	
	Power On Model	AT/ATX	
Power	Power Supply Voltage	9-36 V DC input	
	Connector Type	M12 Connector	
	Power Consumption(Typical/Max.)	Typical : 1.2A @ 12V (13.44 W), Max : 1.33A @ 12V (16.05 W)	
Mounting	VESA Mount	75mmx 75mm; 100mm x 100mm	
	Panel Mount	N/A	
	Others	Yoke Mount	
Environment	Operating Temperature	-20~60° C (-4~140° F) w/ Extended Operation Temp. RAM & SSD	
	Storage Temperature	-40~85° C (-40~185° F)	
	Humidity	5~95% @ 40° C, non-condensing	
	Vibration	5-500 Hz, 0.026 G <sup>2</sup> /Hz, 2.16 Grms, X, Y, Z, 1 hour per axis	
	Shock	20 G, IEC 60068-2-27, half sine, 11 ms duration	
General	Certification	TBD	
	Thermal Dissipation	Fanless	
	Material, Surface Finish	Stainless steel 316, Brush polish	
	Ingress Protection	Full IP66/69K Protection	
	Dimensions (L x W x H)	499 X 420 X 66.9mm (16.65" X 16.54" X 2.63")	
	Net Weight	10kg (22.04lb)	
	Operating System	Windows 10 IoT 64Bit, Linux kernel 4.0.x or above	