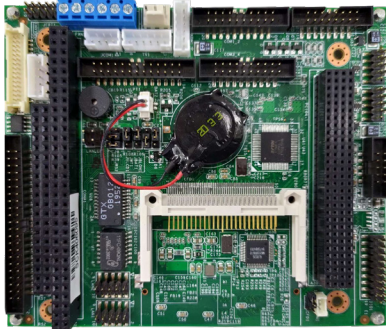


PBE-1101

ETX Carrier board



Features

- ETX® 3.02 Carrier Board
- PC/104-Plus Interface
- Analog RGB, LVDS Display
- 4 x USB Ports, 4 x Serial Ports
- CompactFlash Disk Socket
- **Wide Range Operating Temp.: -40 ~ 85°C**

I/O

Serial Port	3 x RS-232 port with pin-header 1 x RS-232/422/485 selectable port with pin-header
Parallel Port	1 x LPT port
Keyboard & Mouse	1 x box header (PS/2 interface for keyboard and mouse)
USB 2.0	4 x USB 2.0 port w/ pin header
Expansion	PC/104-Plus interface 1 x I2C
Storage	1 x IDE box header 1 x CompactFlash Type II socket
Ethernet	1 x LAN port by CPU module 1 x GbE port
Digital I/O	16-bit Digital Input/Output, 8-in/ 8-out
Audio	Mic-in/Line-in/Line-out
RF	1 x IrDA

Display

Graphic Interface	1 x VGA port
	1 x Dual channels 24-bit LVDS port

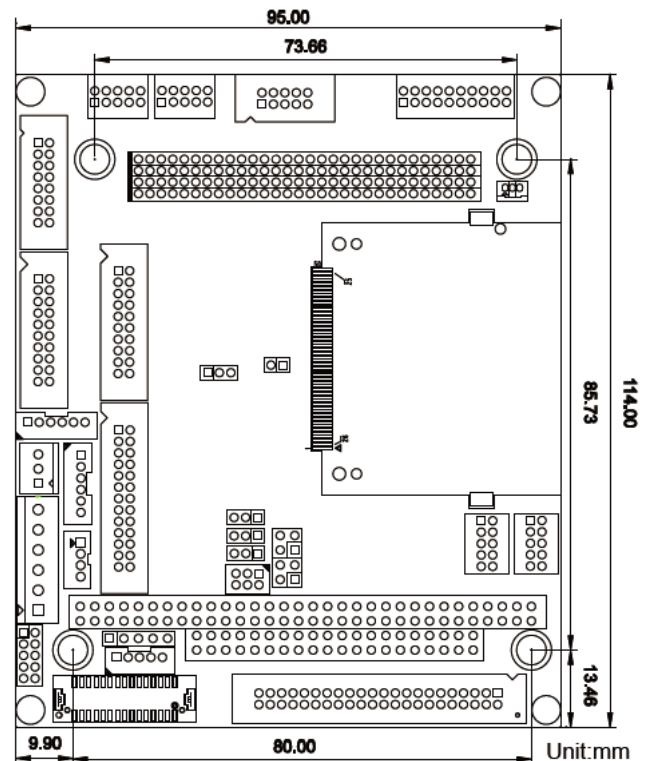
OS Support

Depends on CPU module

Mechanical & Environmental

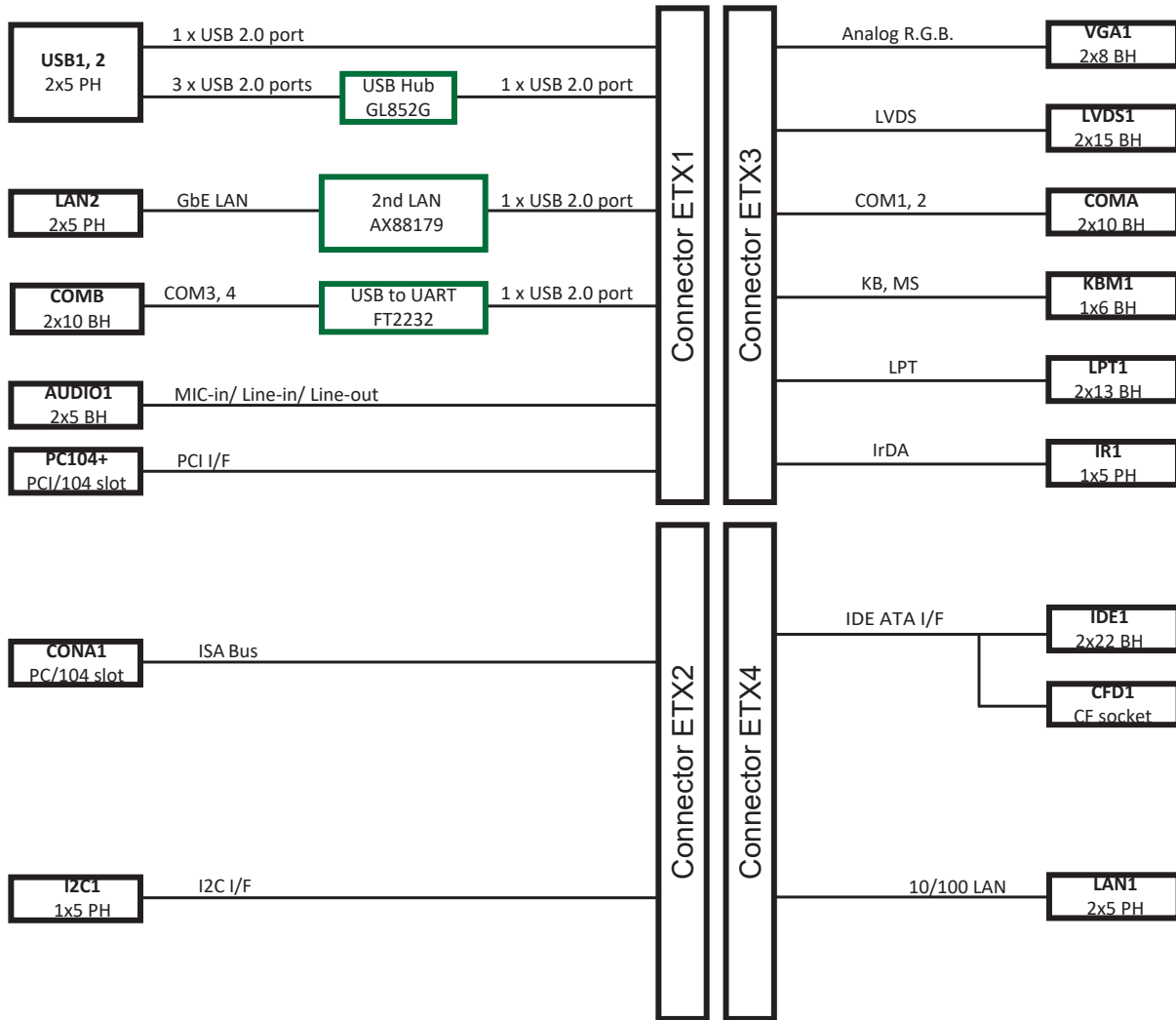
Power Requirement	+12V DC input
Power Consumption	1.789A@5V with EmETX-i2304-E3825 2.025A@5V with EmETX-i2304-E3845
Operating Temp.	-40 ~ 85°C (-40 ~ 185°F)
Operating Humidity	10 ~ 95% @ 85°C (non-condensing)
Dimensions (L x W)	114 x 95mm(4.48" x 3.7")

Dimensions





Block Diagram



Ordering Information

PBE-1101 ETX 3.02 Carrier Board

Optional Accessories

CBK-15-1101-00

- Cable kit
- 1 x Audio cable
- 2 x USB cables
- 2 x Serial port cables
- 1 x IDE cable
- 1 x LPT cable
- 2 x Ethernet cables
- 1 x VGA cable
- 1 x KB/MS cable
- 2 x SATA cables
- 1 x Power cable (4 wires)
- 1 x Power cable (2 wires)