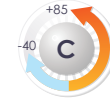
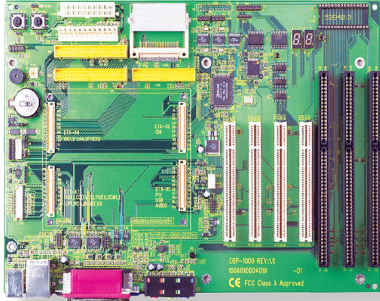


# PBE-1000



# ETX

## ETX Evaluation Carrier Board in ATX Form Factor



### Features

- **ETX 3.02 Compliant**
- Integrated Gigabit Ethernet
- POST Code Diagnostics
- Secondary Multi I/O (COM3, COM4)
- **Wide Range Operating Temp.: -40 ~ 85°C**

### I/O

Super IO Chipset	Winbond W83977
Serial Port	3 x RS-232 1 x RS-232/422/485 selectable
Parallel Port	SPP/EPP/ECP mode selectable
Keyboard & Mouse	Standard PS/2 keyboard/ mouse connectors
USB 2.0	5 x USB 2.0 ports
Expansion	4 x PCI slots, 3 x ISA slots
Storage	2 x Ultra ATA connectors, 1 x FDD connector, 1 x CF II socket
Ethernet Chipset	1 x by CPU module
Digital I/O	16-bit DIO 8-in/ 8-out
Audio	Mic-in/ Line-in/ Line-out

### Display

Graphic Interface	Analog RGB/ DVI: 1 x VGA connector, LCD: 1 x LVDS connector
-------------------	--

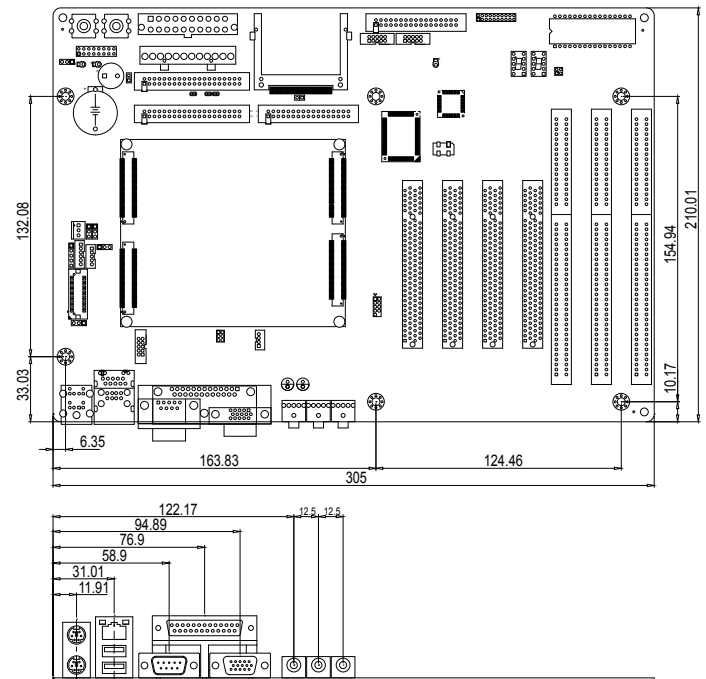
### OS Support

Depends on CPU Module

### Mechanical & Environmental

Power Requirement	AT/ATX
Power Consumption	2.88A@5V with EmETX-i2304-E3845, 2.26A@5V with EmETX-i2304-E3825 (Typical)
Operating Temp.	-40 ~ 85°C (-40 ~ 185°F)
Operating Humidity	10 ~ 95% @ 85°C (non-condensing)
Dimensions (L x W)	305 x 210 mm (12" x 8.27")

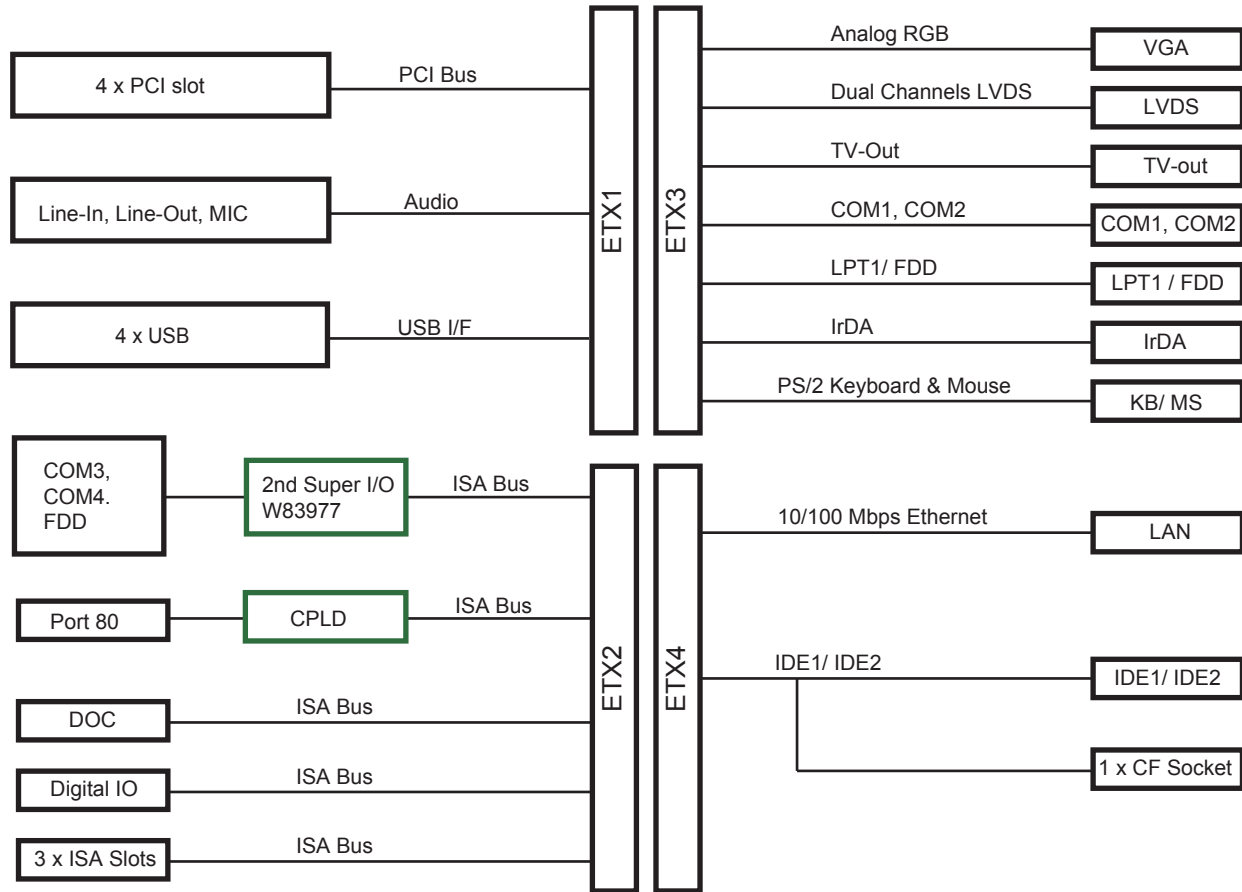
### Dimensions



Unit: mm



## Block Diagram



## Ordering Information

PBE-1000 R2.1 ETX evaluation carrier board in ATX form factor

## Optional Accessories

CBK-05-1000-00 Cable kit  
 1 x FDD cable  
 3 x Serial port cables  
 1 x USB cable  
 2 x IDE cables  
 1 x TV-out cable