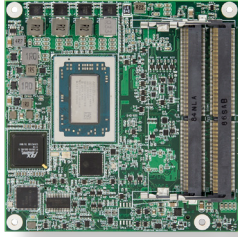


EmETXe-a10M0

AMD Ryzen Embedded V1000 V1605B/V1756B/V1807B
 COM Express® Compact Type 6 CPU Module



Features

- Soldered onboard AMD V1605B/V1756B/V1807B APU Processor
- Integrated Gigabit Ethernet
- Dual Channels 24-bit LVDS or 1 x DP port, 3 x DDI ports
- Support 3 independent displays

System

CPU	Soldered onboard AMD Ryzen V1000 V1605B 2.0GHz(Base)/ 3.6GHz (Turbo) or V1756B 3.25GHz(Base)/ 3.6GHz (Turbo) or V1807B 3.35GHz(Base)/ 3.8GHz (Turbo) processor
Memory	2 x DDR4 ECC SO-DIMM sockets, supporting up to 32GB SDRAM
BIOS	AMI UEFI BIOS
Watchdog Timer	1~255 levels reset

I/O

USB Port	12 x USB ports: - 8 x USB 2.0 ports - 4 x USB 3.1 ports
Serial Port	2 x UART ports (RX/TX only)
Expansion Bus	8 x PCIe x1 lanes 1 x PCIe x8 lane, LPC, SPI
DIO	8-bit Digital Input/Output
Storage	2 x Serial ATA ports with 600MB/s HDD transfer rate
Ethernet Chipset	1 x Intel® Ethernet controller i21x series
Audio	HD audio link
TPM	Supports TPM 2.0 SLB9665TT

Display

Graphic Chipset	Integrated Vega Core Graphics controller
Graphic Interface	Dual Channels 24-bit LVDS, with resolution up to 1920 x 1200 @60Hz 3 x DDI ports

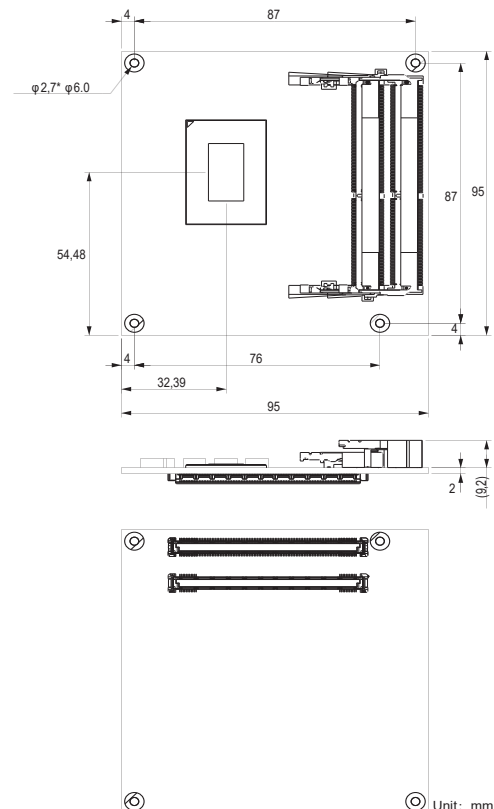
OS support

Windows 10 64-bit
 Linux: Ubuntu

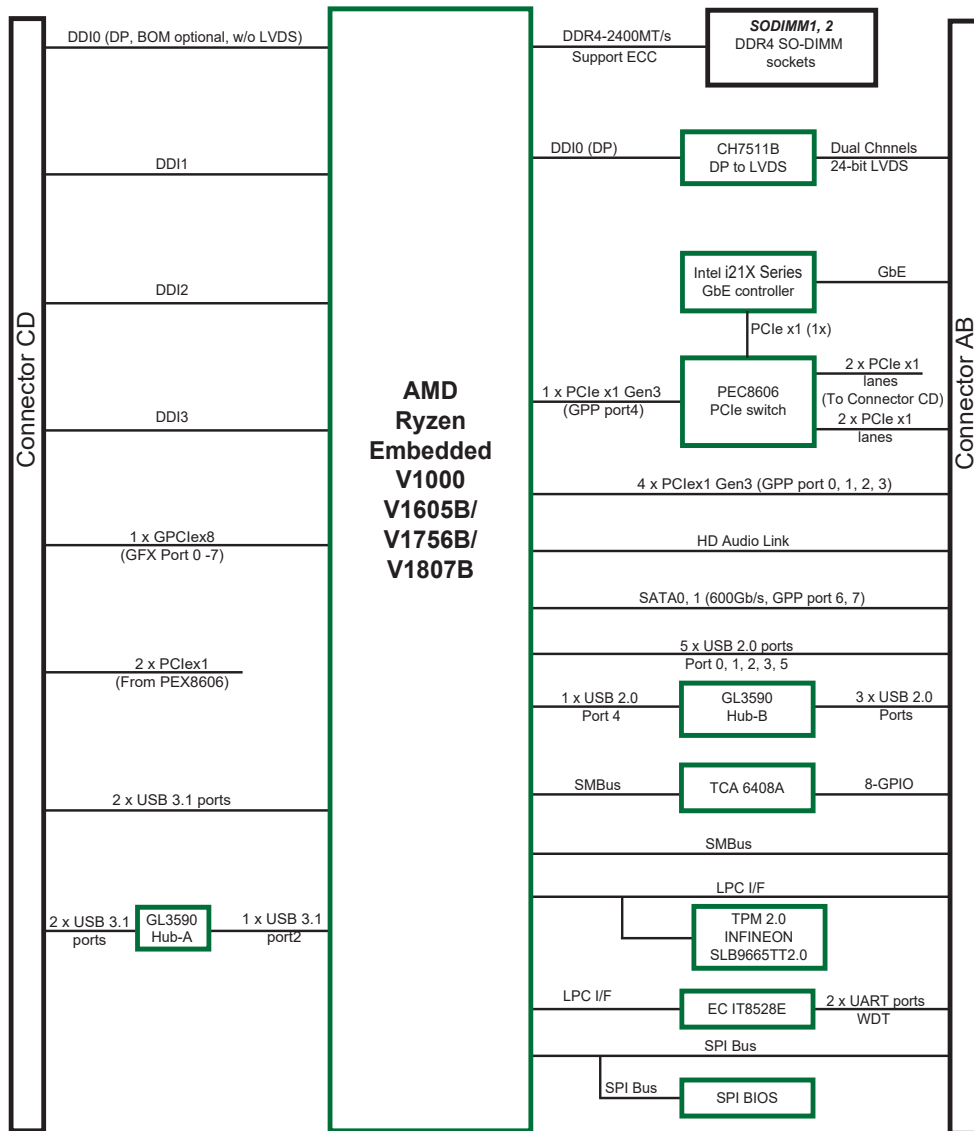
Mechanical & Environmental

Power Requirement	8.5V~20V +/- 5% wide range voltage input, +5VSB
Power Consumption	2.39A@12V (V1605B typical)
Operating Temp.	-20 ~ 70°C
Operating Humidity	10 ~ 95% @ 70°C (non-condensing)
Dimensions (L x W)	95 x 95 mm (3.7" x 3.7")

Dimensions



Block Diagram



Ordering Information

EmETXe-a10M0-V1605B	AMD Ryzen Embedded V1000 V1605B COM Express® Compact Type 6 CPU Module
EmETXe-a10M0-V1756B	AMD Ryzen Embedded V1000 V1756B COM Express® Compact Type 6 CPU Module
EmETXe-a10M0-V1807B	AMD Ryzen Embedded V1000 V1807B COM Express® Compact Type 6 CPU Module

Optional Accessories

HS-10M0-F2-T	Heat spreader, with threaded standoffs (95x95x11mm)
HS-10M0-F2-NT	Heat spreader, without threaded standoffs (95x95x11mm)
HS-10M0-C1	Heat sink with Fan, PAD (95x95x51mm)
PBE-1705-F1	COM Express® Type 6 evaluation carrier board with SIO F71869ED module in ATX form factor
CBK-03-1705-00	Cable kit 1 x SATA cable 2 x COM Flat cables