

INJ-0200G-60-24-T

Industrial IEEE 802.3bt Gigabit Type 3 4PPoE Injector, EOT: -40° to 75°C



Features

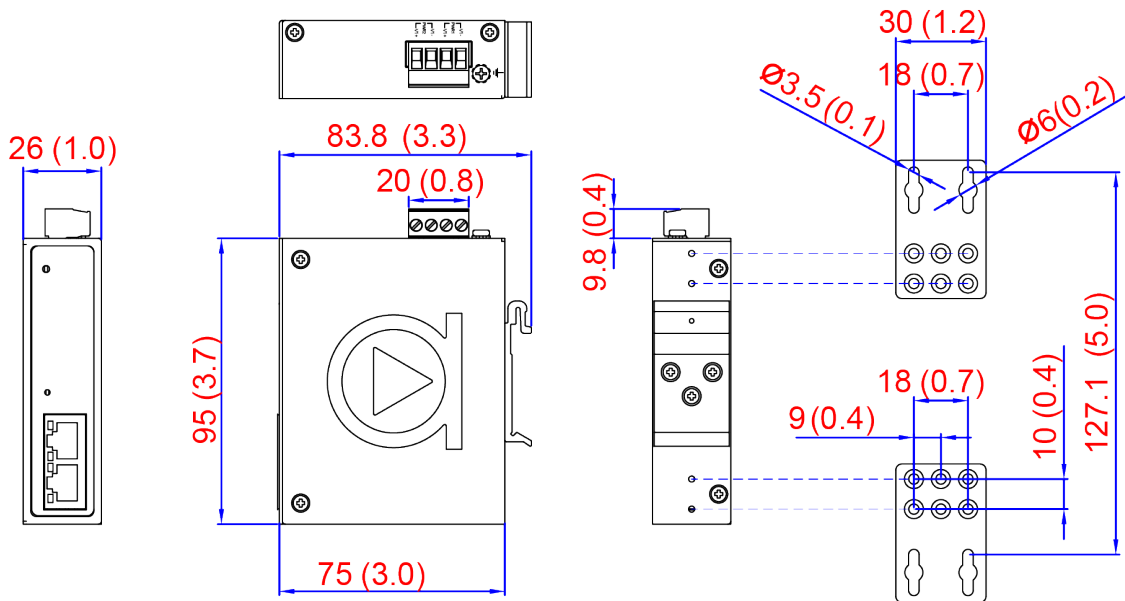
- ▶ Supports 10/100/1000Tx for PoE & Data Out
- ▶ IEEE 802.3bt Type 3 4PPoE Compliant
- ▶ Provide Data and Power over Ethernet to Power Device
- ▶ Provides up to 60 Watts on PoE Port
- ▶ Allows Power Input of 9~48VDC
- ▶ IP30 Protection
- ▶ Operating Temperature Range (– EOT): -40° to 75°C
- ▶ DIN-Rail or Wall Mountable
- ▶ 5-Year Warranty

INTRODUCTION

Antaira Technologies' INJ-0200G-60-24-T is an industrial high-power IEEE 802.3bt Type 3 Power over Ethernet (PoE) injector backwards compatible with previous IEEE 802.3af/at standards. By utilizing multiple pairs of pins on the RJ45 cable this industrial grade PoE injector is capable of providing up to 60 Watts of power to end devices. Each port supports 10/100/1000Tx for both power in and data out.

The INJ-0200G-60-24-T is IP30 rated, DIN-rail mountable, and supports an extended temperature of -40°C to 75°C, making it ideal for outdoor or harsh industrial applications.

DIMENSIONS



Unit: mm (inch)

Din-rail

Wall-mount

SPECIFICATIONS

Technology	
Standards	IEEE 802.3 10BaseT Ethernet IEEE 802.3u 100BaseTX Fast Ethernet IEEE 802.3ab 1000BaseT(X) IEEE 802.3af/at/bt Power over Ethernet
Switch Properties	
Transfer Rate	14,880pps for Ethernet Port 148,800pps for Fast Ethernet Port 1,488,000pps for Gigabit Ethernet Port
Interface	
Ethernet Port	2*10/100/1000BaseT(X) (1*Data IN, 1*PoE OUT)
PoE Port Pin Assignment	V+ for pin 3, 4, 5, 6 V- for pin 1, 2, 7, 8
LED Indicators	Power and PoE
Mechanical Characteristics	
Housing	Metal, IP30 protection
Dimensions	26 x 95 x 75 mm (W x H x D)
Weight	Unit: 0.60 lbs. Shipping: 1.0 lbs.
Mounting	DIN-Rail Mounting, Wall Mounting

Power Requirement	
Input Voltage	9~48VDC, Power Inputs
Power Connection	4-pin terminal block
Reverse Polarity Protection	Present
Overload Current Protection	Present
Power Consumption	5Watts for system
PoE Power Output	60W max. per PoE port
Max. PoE Power Budget	60Watts
Environmental Limits	
Operating Temperature	EOT: -40°C ~ 75°C
Storage Temperature	-40°C ~ 85°C
Ambient Relative Humidity	5% to 95%, (non-condensing)
Regulatory Approvals	
EMI	CE, FCC Class A EN61000-6-4, EN61000-6-2, EN61000-4-2 (ESD), EN61000-4-3 (RS), EN61000-4-4 (EFT), EN61000-4-5 (Surge), EN61000-4-6 (CS), EN61000-4-8 (Magnetic Field)
Free Fall	IEC60068-2-32
Shock	IEC60068-2-27
Vibration	IEC60068-2-6
Green	RoHS Compliant
Certifications	FCC, CE, UL (Pending)
Warranty	5 Years

ORDERING INFO

INJ-0200G-60-24-T Industrial IEEE 802.3bt Gigabit Type 3 4PPoE Injector; EOT: -40~75°C