

W24L100-MRA1

24" Marine Display



KEY FEATURES

- Dimming knob control backlight brightness from nearly 0% to 100%
- IP66 aluminum housing with powder coating design (IP54 rear)
- 24V DC Isolated Power Module
- High quality touchscreen / AR protection glass for option
- Ease of use front panel OSD control Marine Display
- Enhanced shock and vibration resistance



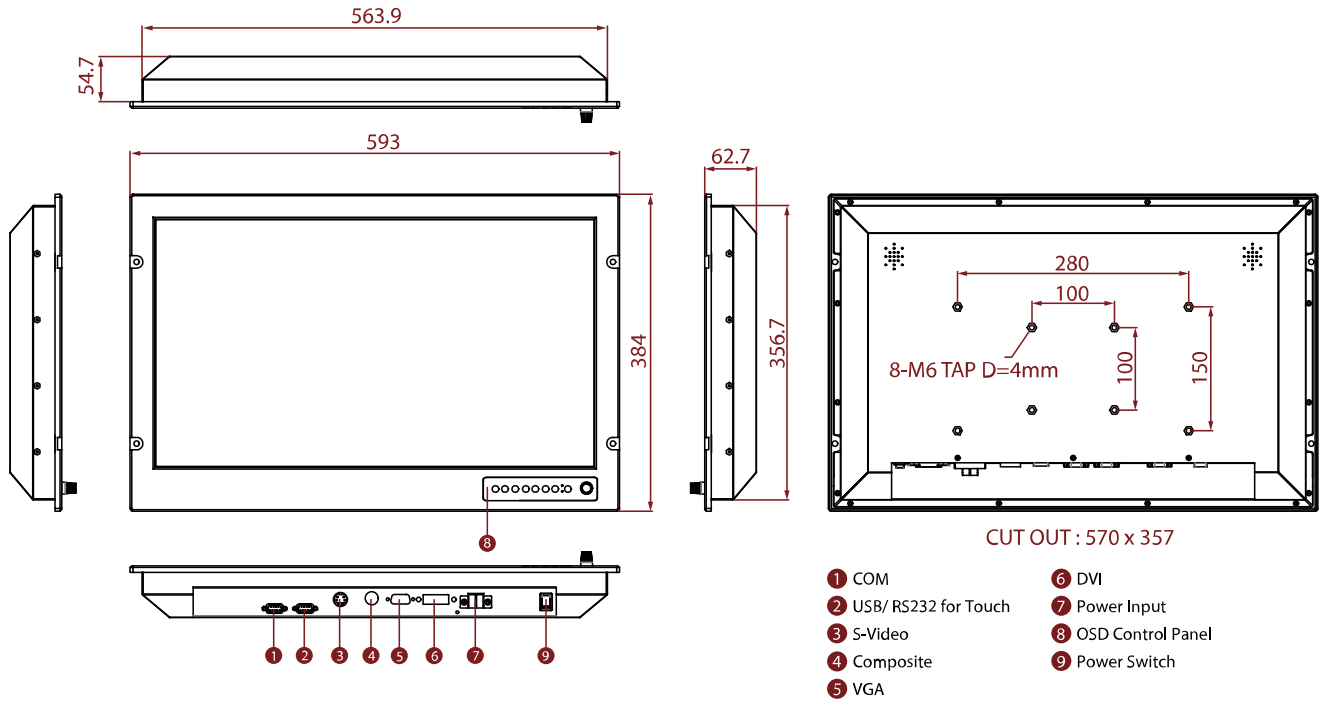
SPECIFICATIONS

Display	
Resolution	1920x1080
Contrast Ratio	5000:1
Display Color	16.7M Colors
Active Area	531.36x298.89 mm
Size	24 inches
Panel Brightness	300 nits
View Angles	89,89,89,89
Touch / Glass	Resistive Touch Screen AR Glass (Optional)
Environment	
Operating Humidity	5% to 95%
Operating Temperature	-15~55°C
Shock	15G, 11ms duration
Vibration	0.7g@DNVGL CG-0339 (Class A)
IP rating	IP66 (Front Side)
Certification	
Certification	DNVGL-CG-0339, IEC60945 4th, IACS E10, CE, FCC
IO Ports	
Serial Port	1 x RS232 for Remote Control 1 x RS232/USB for Touch Screen
Video	1 x VGA 1 x DVI-D 1 x Composite 1 x S-Video
Mechanical	
Dimension	593 x 356.7 x 62.7
Weight	9.7 kg
Mounting	VESA Mount/ Panel Mount
Enclosure	Metal Housing with Aluminum Bezel
Cooling System	Fanless Design
Cut out	566 x 362 mm
Power	
Power Rating	24V DC-in with Isolation (Approval by Certificate) 9~36V DC Input Acceptable
Consumption	50W (Typical)
Accessory	
Accessory	1 x User Manual. 1 x CD for Touchscreen Driver Tools. 1 x DVI Cable. 1 x VGA Cable. 1 x RS232 Serial Cable. 1 x S-Video Cable. 1 x Composite Cable.

Control

Button	8 key: Esc/PIP Auto adjustment Left Right/Source OK/Menu Up Down Power 1 x The Dimming Knob
---------------	--

DIMENSIONS UNIT:MM



NOTE

1. This is a simplified drawing and some components are not marked in detail.
2. Please contact our sales representative if you need further product information.
3. All specifications are subject to change without prior notice.
4. The product shown in this datasheet is a standard model. For diagrams that contain customized or optional I/O, please contact the Winmate Sales Team for more information.