

W18L100-PTA2

18.5" Multi-Touch Chassis Display



KEY FEATURES

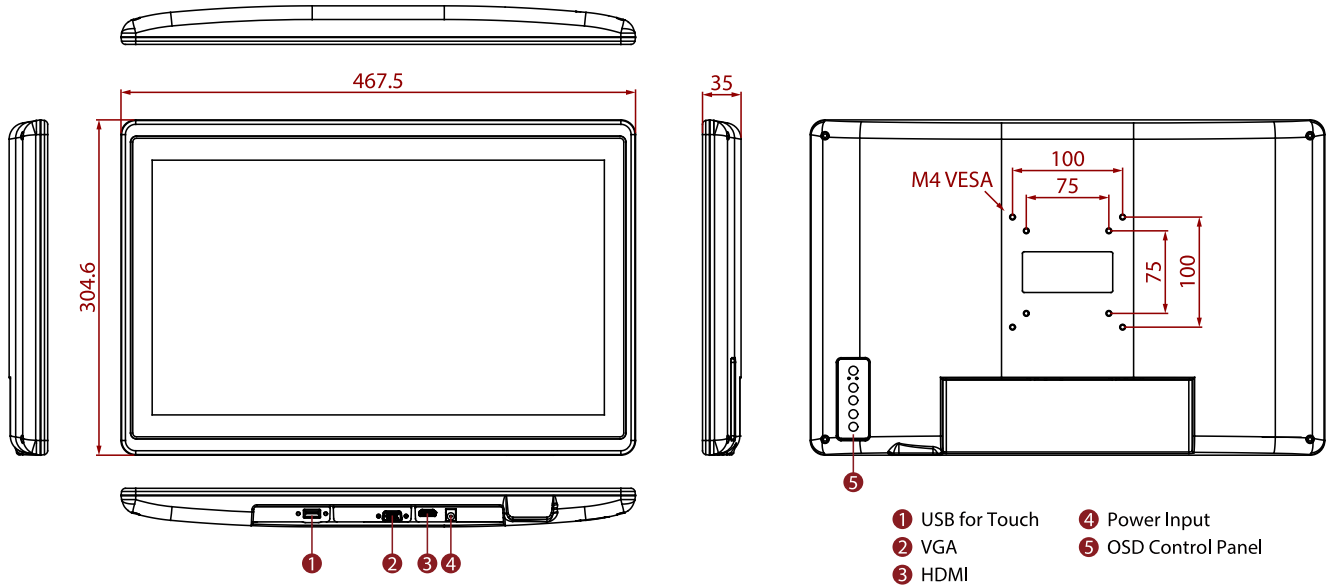
- 18.5", 1366 x 768 Multi-Touch Chassis Display
- VGA and HDMI input
- Chassis
- VESA mount
- Front IP65



SPECIFICATIONS

Display			
Resolution	1366x768	Size	18.5 inches
Contrast Ratio	1000:1	Panel Brightness	450.0 nits
Display Color	16.7M Colors	View Angles	85,85,80,80
Active Area	409.8X230.4 mm	Touch / Glass	Projected Capacitive Multi Touch Screen
Environment			
Operating Humidity	10% to 90% RH, Non-Condensing	Operating Temperature	0°C to 50°C
Storage Temperature	-10°C to 60°C		
Certification			
Certification	CE, FCC		
IO Ports			
USB Port	1 x USB for Touch Screen	Video	1 x VGA 1 x HDMI (Optional) 1 x DVI (Optional)
Mechanical			
Dimension	467 x 305 x 35 mm	Mounting	VESA Mount
Enclosure	Plastic	Cooling System	Fanless Design
Accessory			
Accessory	1 x VGA cable 1 x HDMI cable 100~240V AC to DC Adapter Power Cord Manual VESA screws(Varies by product)	Optional Accessory	Remote Controller (Optional,Varies by product)
Power			
Power Rating	12V DC in 24V DC in (optional)		
Control			
Button	5 Keys: -, +, Power, Esc, Enter		

DIMENSIONS UNIT:MM



NOTE

1. This is a simplified drawing and some components are not marked in detail.
2. Please contact our sales representative if you need further product information.
3. All specifications are subject to change without prior notice.
4. The product shown in this datasheet is a standard model. For diagrams that contain customized or optional I/O, please contact the Winmate Sales Team for more information.