

W15L100-CHL10D

15.6" Resistive Touch Chassis Display



KEY FEATURES

- Sunlight readable with high brightness solution
- Support VESA mount
- Operating temperature: -10~60°C
- Optional operating temperature : -25~60°C with heater solution
- Support resistive touch
- Optional solar radiation protection with UV film for directed sunlight environment



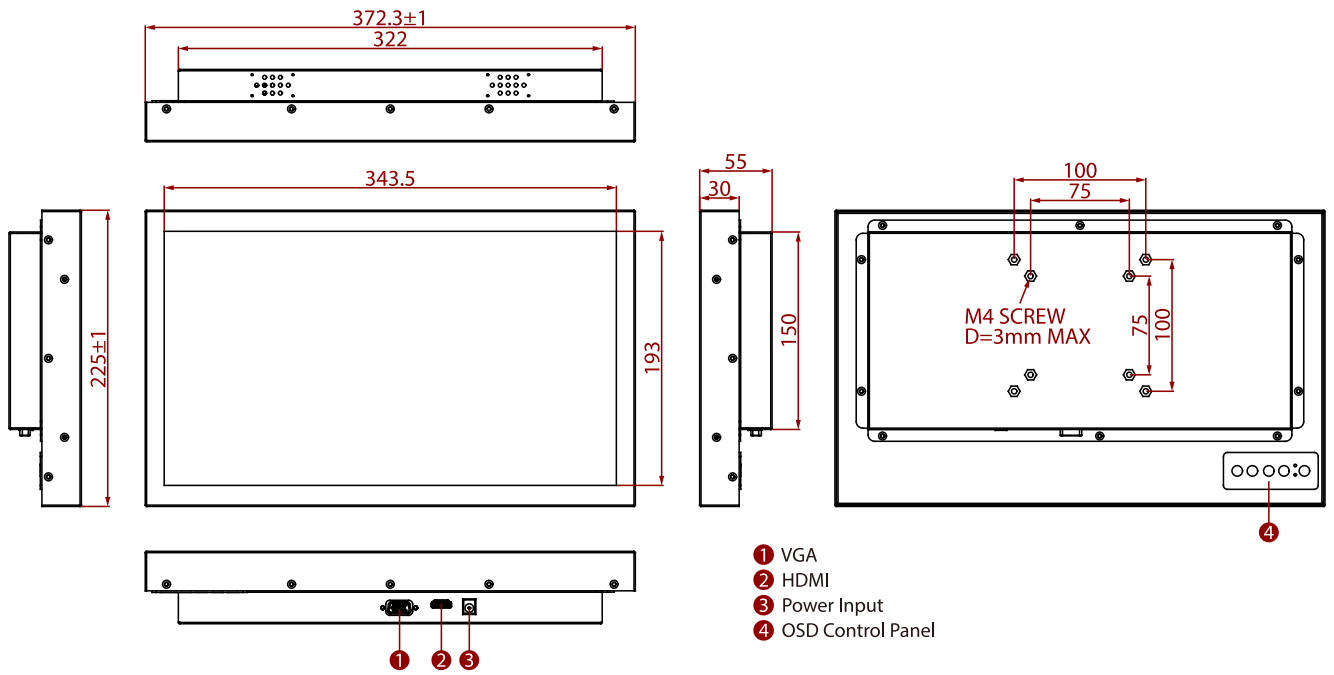
SPECIFICATIONS

Display			
Resolution	1920x1080	Size	15.6 inches
Contrast Ratio	800:1	Panel Brightness	1000.0 nits
Display Color	16.2M Colors	View Angles	85,85,85,85
Active Area	344.16x193.59 mm	Touch / Glass	Resistive Touch Screen Protection Glass w/o Touch Function (Optional)
Environment			
Operating Humidity	10% to 90% RH, Non-Condensing	Operating Temperature	-10°C to 60°C
Storage Temperature	-20°C to 70°C		
Certification			
Certification	CE, FCC		
IO Ports			
USB Port	1 x USB for Touch Screen	Video	1 x VGA 1 x HDMI (Optional) 1 x DVI (Optional)
Audio	Audio line in (3.5mm) (Optional) 2 x Speaker (Optional)		
Mechanical			
Dimension	372.3 x 225 x 55 mm	Weight	3.6 kg
Mounting	VESA Mount	Enclosure	Metal
Cooling System	Fanless Design		
Accessory			
Accessory	1 x VGA cable 1 x HDMI cable 100~240V AC to DC Adapter Power Cord Manual VESA screws(Varies by product)		
Optional Accessory	Remote Controller (Optional,Varies by product)		
Power			
Power Rating	12V DC in 24V DC in (optional)		

Control

Button 5 Keys: -, +, Power, Esc, Enter

DIMENSIONS UNIT:MM



NOTE

1. This is a simplified drawing and some components are not marked in detail.
2. Please contact our sales representative if you need further product information.
3. All specifications are subject to change without prior notice.
4. The product shown in this datasheet is a standard model. For diagrams that contain customized or optional I/O, please contact the Winmate Sales Team for more information.