

# W12L100-VMM9(HB)

## 12.1" G-WIN VM Series Display



### KEY FEATURES

- High Quality 12.1" Wide Panel, 1280 x 800 resolution
- Aluminum Housing with Anti-Corrosion Treatment
- Anti-Shock and Vibration Standard according to IEC60068-2-27
- 5 Wire Resistive Touchscreen
- Anti-Reflection Protection Glass (Optional)
- 10 ~ 60V DC Isolation Wide Range Power Input. Optional Ignition on/off control function.



### SPECIFICATIONS

Display	
<b>Resolution</b>	1280x800
<b>Contrast Ratio</b>	1000:1
<b>Display Color</b>	16.2M Colors
<b>Active Area</b>	261.12x163.2 mm
<b>Optional function</b>	High brightness Panel for sunlight readable (Optional)
<b>Size</b>	12.1 inches
<b>Panel Brightness</b>	400.0 nits
<b>View Angles</b>	88,88,88,88
<b>Touch / Glass</b>	Resistive Touch Screen (Optional) Protection Glass Without Touch Function (Optional)
Mechanical	
<b>Dimension</b>	310 x 215 x 52.7 mm
<b>Mounting</b>	VESA Mount
<b>Cooling System</b>	Fanless design
<b>Weight</b>	2.8 kg
<b>Enclosure</b>	Aluminum Housing
Environment	
<b>Operating Humidity</b>	10% to 90% RH, Non-Condensing
<b>Storage Temperature</b>	-30°C to 70°C
<b>Vibration</b>	MIL-STD-810G Method 514.6 Procedure I
<b>Operating Temperature</b>	-10°C to 55°C
<b>Shock</b>	MIL-STD-810G Method 516.6 Procedure I (Optional)
<b>IP rating</b>	Front IP65
Certification	
<b>Certification</b>	CE, FCC
IO Ports	
<b>Power Input</b>	1 x 10~60V DC, 3-Pin Terminal Block
<b>Serial Port</b>	1 x RS232 D-sub9 for touch screen control (Optional)
<b>Indicator</b>	1 x LED Indicator for power 1 x LED Indicator for status
<b>USB Port</b>	1x USB type-A for touch screen control (Optional)
<b>Video</b>	1x VGA input 1x HDMI input (Optional)
Control	
<b>Button</b>	1 x Power Button 1 x Adjust up button 1 x Adjust down button 1 x ESC (Auto) button 1 x Menu button

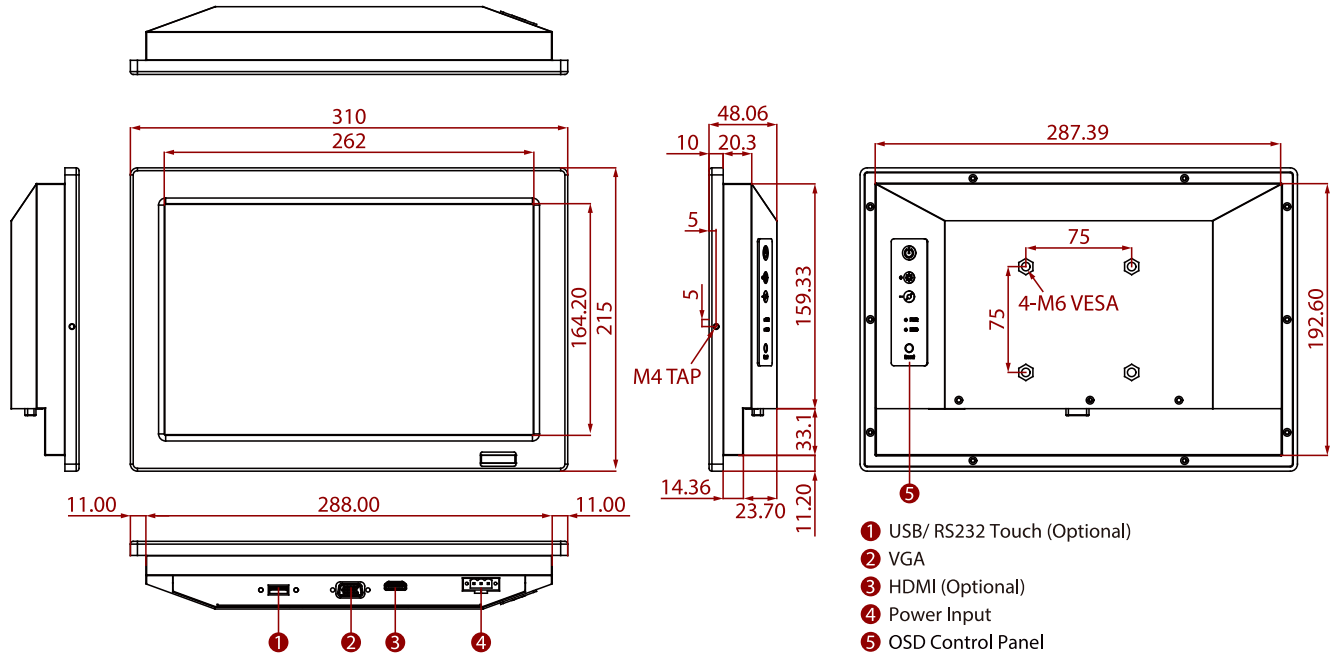
## Accessory

**Accessory** Open Wire Cable with terminal block connector  
External VGA cable  
VESA screws

**Optional Accessory** Yoke mount stand (Optional)  
100~240V AC to DC 50W Adapter with power cord (Optional)  
External USB/COM cable for touchscreen control (Optional)  
External HDMI cable (Optional)

## System Specification

## DIMENSIONS UNIT:MM



## NOTE

1. This is a simplified drawing and some components are not marked in detail.
2. The product shown in this datasheet is a standard model. For diagrams that contain customized or optional I/O, please contact the Winmate Sales Team for more information.
3. All specifications are subject to change without prior notice.