

# W10L100-PCH2LB

## 10.1" Multi-Touch Chassis Display



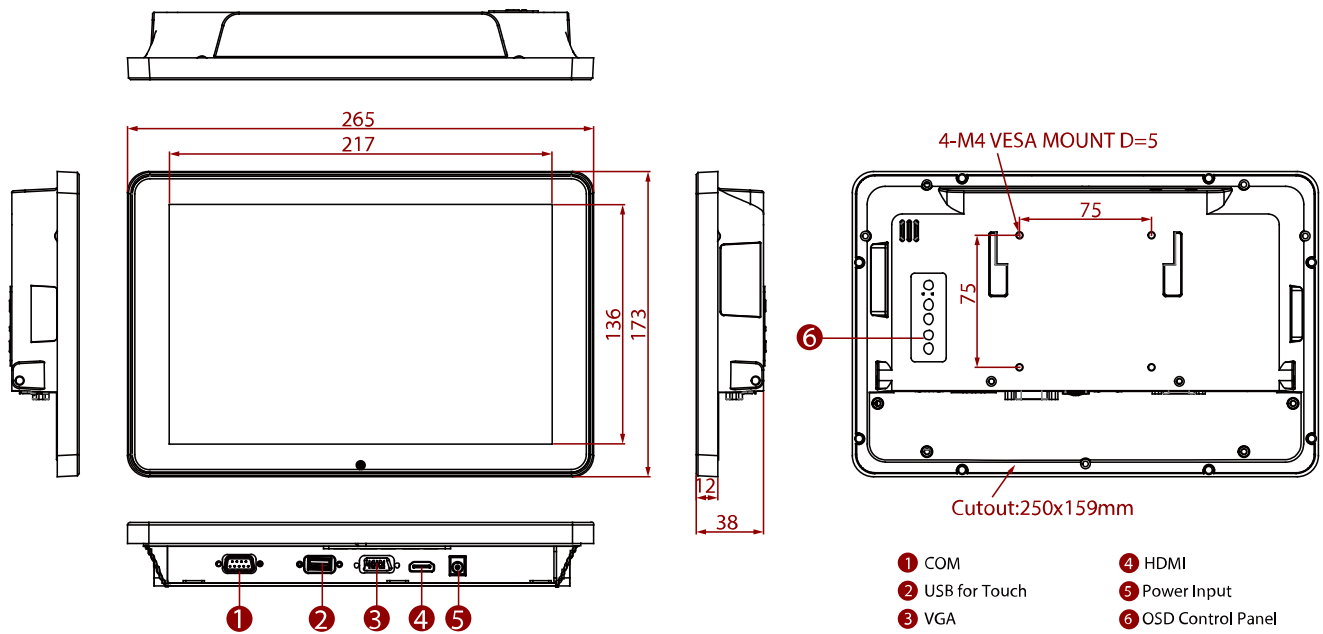
### KEY FEATURES

- 10.1" 1280 x 800 Resolution with Projected Capacitive Multi-Touch (PCAP)
- VGA and HDMI input
- All-around LED status light bar (RS-232)
- USB port for touch
- Front IP65 waterproof and dustproof
- Stylish design for room booking, access control and room information applications



### SPECIFICATIONS

Display	
<b>Resolution</b>	1280x800
<b>Contrast Ratio</b>	800:1
<b>Display Color</b>	16.7M Colors
<b>Active Area</b>	216.96x135.6 mm
<b>Size</b>	10.1 inches
<b>Panel Brightness</b>	350.0 nits
<b>View Angles</b>	85,85,85,85
<b>Touch / Glass</b>	Projected Capacitive Multi Touch Screen Anti-glare Coating (Optional)
Environment	
<b>Operating Humidity</b>	10% to 90% RH, Non-Condensing
<b>Storage Temperature</b>	-10°C to 60°C
<b>Operating Temperature</b>	0°C to 50°C
Certification	
<b>Certification</b>	CE, FCC
IO Ports	
<b>USB Port</b>	1 x USB for Touch Screen
<b>Audio</b>	1 x Speaker (Optional)
<b>Video</b>	1 x VGA 1 x HDMI (Optional) 1 x DVI (Optional)
<b>Indicator</b>	RGB LED status light bar (RS-232 control)
Mechanical	
<b>Dimension</b>	264.57 x 173.29 x 35.70 mm
<b>Mounting</b>	VESA Mount
<b>Cooling System</b>	Fanless Design
<b>Weight</b>	1.1 kg
<b>Enclosure</b>	Aluminum
Accessory	
<b>Accessory</b>	1 x VGA cable 1 x HDMI cable 100~240V AC to DC Adapter Power Cord Manual VESA screws(Varies by product)
<b>Optional Accessory</b>	Remote Controller (Optional,Varies by product)
Power	
<b>Power Rating</b>	12V DC in 24V DC in (optional)
Control	

**DIMENSIONS** UNIT:MM**NOTE**

1. Measured at dimming LCD brightness. Varies depending on the usage conditions, or when an external device is attached.
2. Length measurements do not include protrusions. Weight varies with options.
3. This is a simplified drawing and some components are not marked in detail.
4. Accessories and integrated options may vary depending on your configuration.
5. Please contact our sales representative if you need further product information.
6. All specifications are subject to change without prior notice.
7. The product shown in this datasheet is a standard model. For diagrams that contain customized or optional I/O, please contact the Winmate Sales Team for more information.