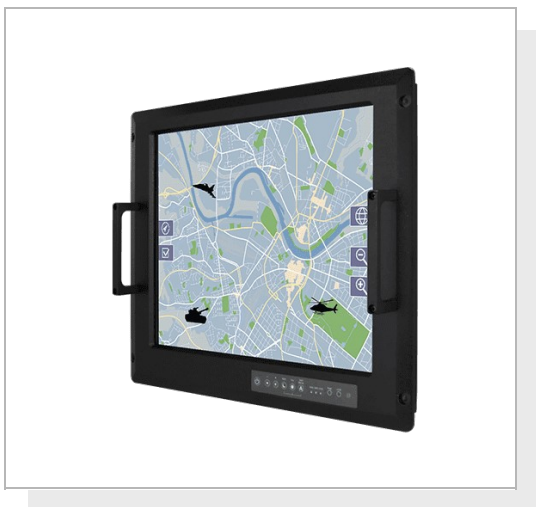


# R19IT3S-RKA3ML

## 19" Intel® Core™ i5-1135G7 Defence Console Rack Panel PC



### KEY FEATURES

- 19" SXGA TFT LCD
- Intel® Core™ i5-1135G7 2.4 GHz (turbo to 4.2GHz) Processor
- Anti-Corrosion Housing / Fanless
- Compliant with MIL-STD-810G/F , MIL-STD-461E/F
- Flush Rack / Rack Mount Mechanical Design (9U)
- Convenient On-Screen Display Controls
- AC 110~240 V Power input default
- Isolation DC 9~36 V Power input (Optional)
- Built-in Light Sensor for auto brightness control
- Defence Grade Power Connector (MIL-DTL-38999/1)



### SPECIFICATIONS

Display			
<b>Resolution</b>	1280x1024	<b>Size</b>	19 inches
<b>Contrast Ratio</b>	1000:1	<b>Panel Brightness</b>	350 nits
<b>View Angles</b>	85,85,80,80	<b>Active Area</b>	376.32x301.06 mm
<b>Touch / Glass</b>	AR Protection Glass EMI ITO Glass (Optional) 5-wire Resistive Touch (Optional) 5-wire Resistive Touch with EMI Mesh Filter (Optional)		
System Specification			
<b>Processor</b>	Intel Core i5-1135G7 2.4GHz (up to 4.2GHz) Intel Core i5-1145G7 2.6GHz (up to 4.4GHz) (Optional)	<b>Memory</b>	1 x SO-DIMM, DDR4 3200 MHz, 4GB 8GB (Optional) 16GB (Optional) 32GB (Optional)
<b>Storage</b>	1 x M.2 M-Key 2242 SATA SSD or 1 x M.2 M-Key 2280 NVMe SSD 128GB 256GB (Optional) 512GB (Optional) 1TB(for NVMe) (Optional) 2TB(for NVMe) (Optional) 4TB(for NVMe) (Optional) 1 x SATA III , up to 2TB (Optional)	<b>Ethernet controller</b>	2 x Intel® Ethernet Controller
<b>Security</b>	TPM 2.0	<b>Operating System</b>	Windows 11 IoT Enterprise SAC (64 bit) (Optional) Windows 10 IoT Enterprise (64 bit) (Optional) Linux Ubuntu 22.04 (Optional)
Environment			
<b>Operating Humidity</b>	10% to 95% RH	<b>Operating Temperature</b>	-20°C~60°C
<b>Storage Temperature</b>	-30°C~70°C		
Compliance			
<b>MIL-STD 461E/F</b>	RE101 / RE102 CE101 / CE102 with EMI Glass / Touch(Optional) RS101 / RS 103 CS101 / CS 106 / CS 109 / CS 114 / CS 115 / CS	<b>MIL-STD 810F/G</b>	Vibration Method 514.5 Humidity Method 507.4 Transit Drop Method516.5

**Certification**

**Certification** CE, FCC

**Mechanical**

**Dimension** 482.6 x 399.3 x 71.4 mm  
**Mounting** Rack Mount / Panel Mount / VESA Mount  
**Enclosure** Metal Housing with Aluminum Bezel  
**Cooling System** Fanless Design

**IO Ports**

**USB Port** 2 x USB 3.0  
**Serial Port** 1 x RS232/422/485 (Default RS232)  
 1 x RS232 (Optional)  
**Video** 1 x HDMI (Optional)  
**LAN** 2 x RJ45

**Accessory**

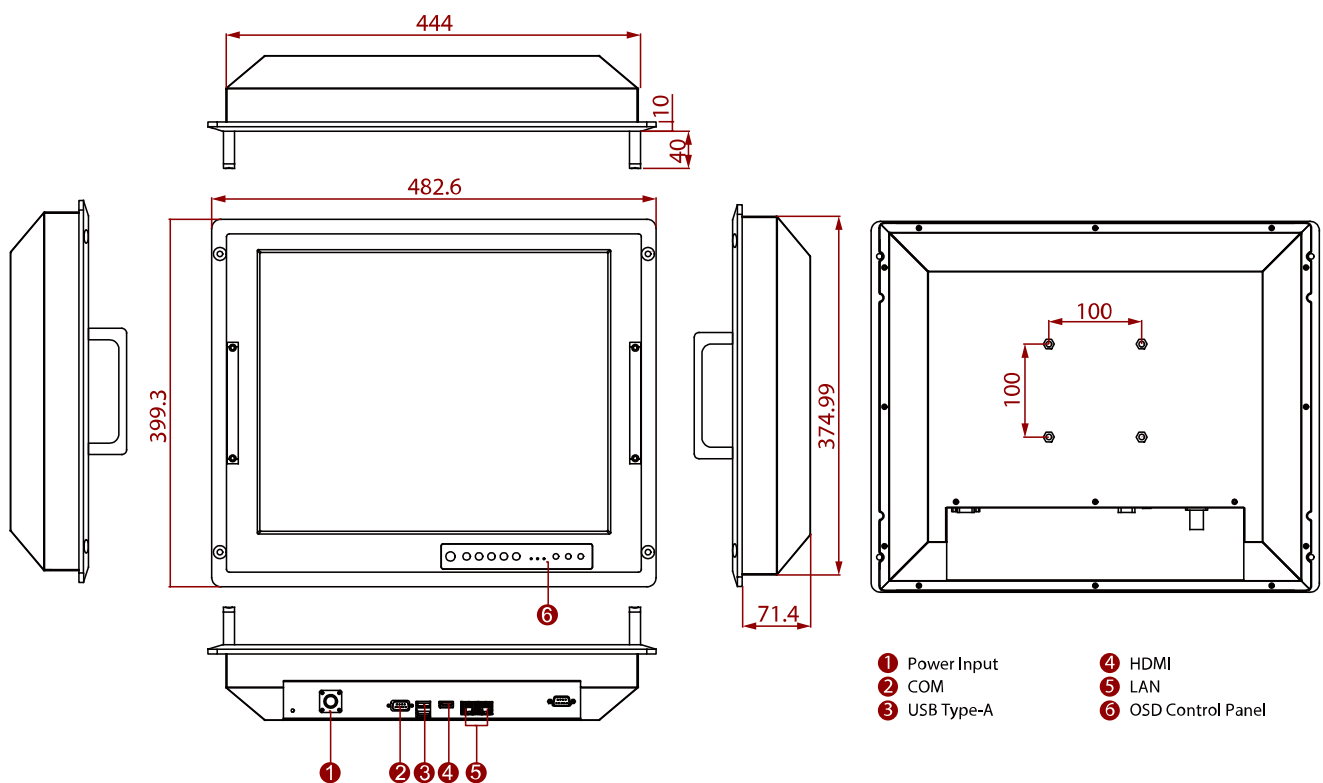
**Accessory** User Manual (Hardcopy)  
 CD-ROM with Driver Utility  
 Power Cord MIL-DTL-38999/1

**Power**

**Power Rating** AC 100~240V, Universal, ±10%  
 DC 9~36V, ±10% (Optional)

**Control**

**Button** 8 Key OSD Control Pad:  
 Power, Brightness DOWN, Brightness UP,  
 Night, Day, Auto / Manual, Reset, Lock

**DIMENSIONS** UNIT:MM

## NOTE

1. This is a simplified drawing and some components are not marked in detail.
2. Please contact our sales representative if you need further product information.
3. All specifications are subject to change without prior notice.
4. The product shown in this datasheet is a standard model. For diagrams that contain customized or optional I/O, please contact the Winmate Sales Team for more information.