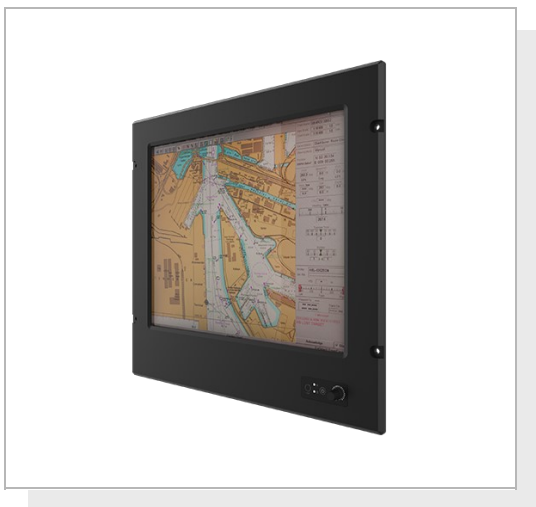


# R19IT3S-MRA2

## 19" Intel® Core™ i7-1165G7 Marine Panel PC



### KEY FEATURES

- Intel® Core™ i7-1165G7 processor marine panel PC
- Dimming knob control backlight brightness from nearly 0% to 100%
- 9~36V DC power input acceptable
- Panel (flush) mount IP66 aluminum housing with powder coating design

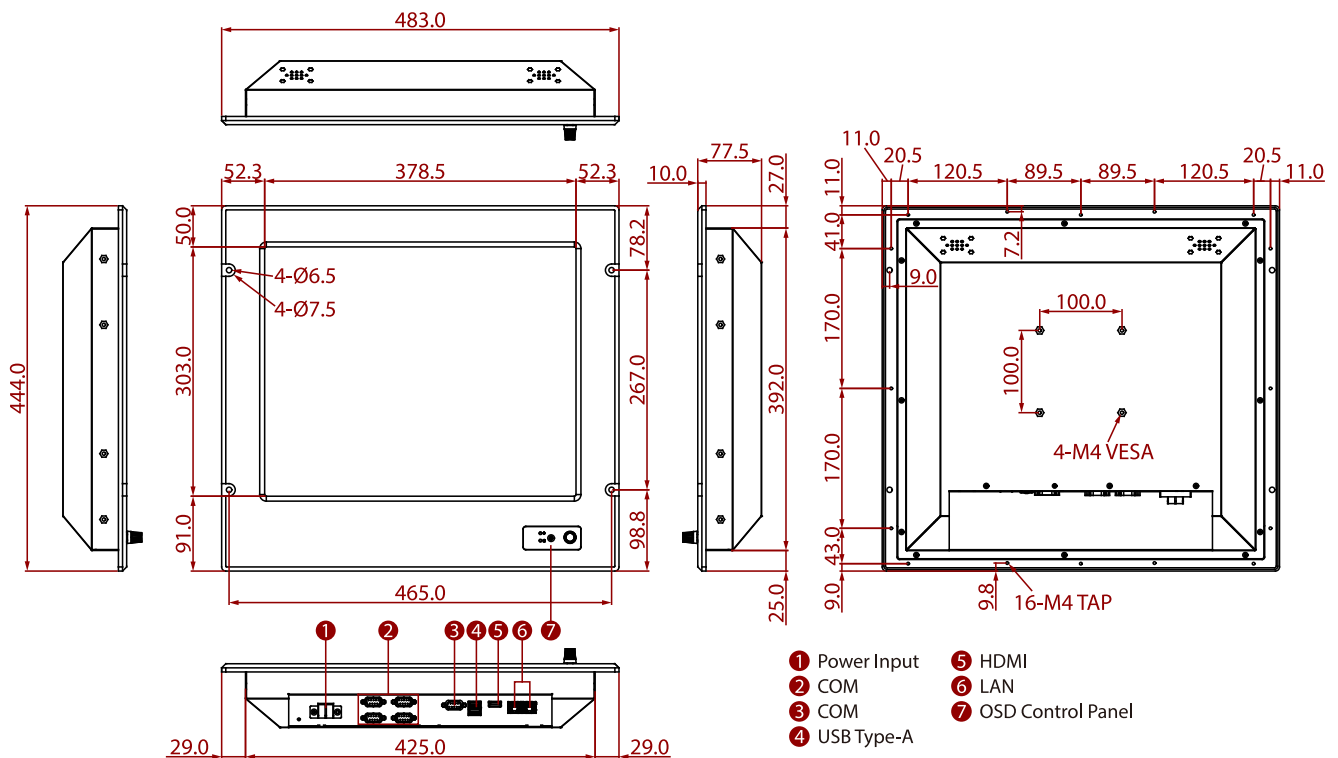


### SPECIFICATIONS

Display	
<b>Resolution</b>	1280x1024
<b>Contrast Ratio</b>	1000:1
<b>View Angles</b>	85,85,80,80
<b>Touch / Glass</b>	Resistive Touch Screen AR Glass (Optional)
<b>Size</b>	19.0 inches
<b>Panel Brightness</b>	350.0 nits
<b>Active Area</b>	376.32x301.06 mm
System Specification	
<b>Processor</b>	Intel Core i7-1165G7 2.8GHz (up to 4.7GHz)
<b>Memory</b>	1 x SO-DIMM, DDR4 2400 MHz, 4GB 8GB (Optional) 16GB (Optional) 32GB (Optional)
<b>Storage</b>	1 x M.2 M-Key 2280 NVMe SSD, 128GB 256GB (Optional) 512GB (Optional) 1TB (Optional) 2TB (Optional) 4TB (Optional)
<b>Ethernet controller</b>	2 x Intel® Ethernet Controller
<b>Operating System</b>	Windows 10 IoT Enterprise (64 bit) (Optional) Windows 11 IoT Enterprise SAC (64 bit) (Optional) Linux Ubuntu 22.04 (Optional)
Environment	
<b>Operating Humidity</b>	5% to 95%
<b>Operating Temperature</b>	-15~55°C
<b>Shock</b>	15G,11ms duration
<b>Vibration</b>	0.7g@DNVGL CG-0339 (Class A)
<b>IP rating</b>	IP66 (Front Side)
Certification	
<b>Certification</b>	CE, FCC
IO Ports	
<b>USB Port</b>	2 x USB 3.0
<b>Serial Port</b>	1 x RS232, 4 x RS232 or 4 x Isolation RS422/485 (Optional)
<b>Video</b>	1 x HDMI (Optional)
<b>LAN</b>	2 x RJ45-10/100/1000 Mbps
Mechanical	
<b>Dimension</b>	483 x 444 x 77.5 mm
<b>Weight</b>	9.6 kg
<b>Mounting</b>	VESA Mount/ Panel Mount
<b>Enclosure</b>	Metal Housing with Aluminum Bezel

<b>Cooling System</b>	Fanless Design	<b>Cut out</b>	429 x 396 mm
<b>Accessory</b>			
<b>Accessory</b>	Driver CD & User Manual 4 x M6 Black Screw Bolt with M6 Nut 1 x AC Adapter 12V/ 84W 1 x Power Cord		
<b>Power</b>			
<b>Power Rating</b>	9~36V DC Input Acceptable	<b>Consumption</b>	65W (Typical)
<b>Control</b>			
<b>Button</b>	1 x Power Button 1 x Reset Button 1 x The Dimming Knob		

## DIMENSIONS UNIT:MM



## NOTE

- 1.This is a simplified drawing and some components are not marked in detail.
- 2.Please contact our sales representative if you need further product information.
- 3.All specifications are subject to change without prior notice.
- 4.The product shown in this datasheet is a standard model.For diagrams that contain customized or optional I/ O, please contact the Winmate Sales Team for more information.