

R08T200-IPT1WT

8.4" Front IP65 Wide Temperature Display



KEY FEATURES

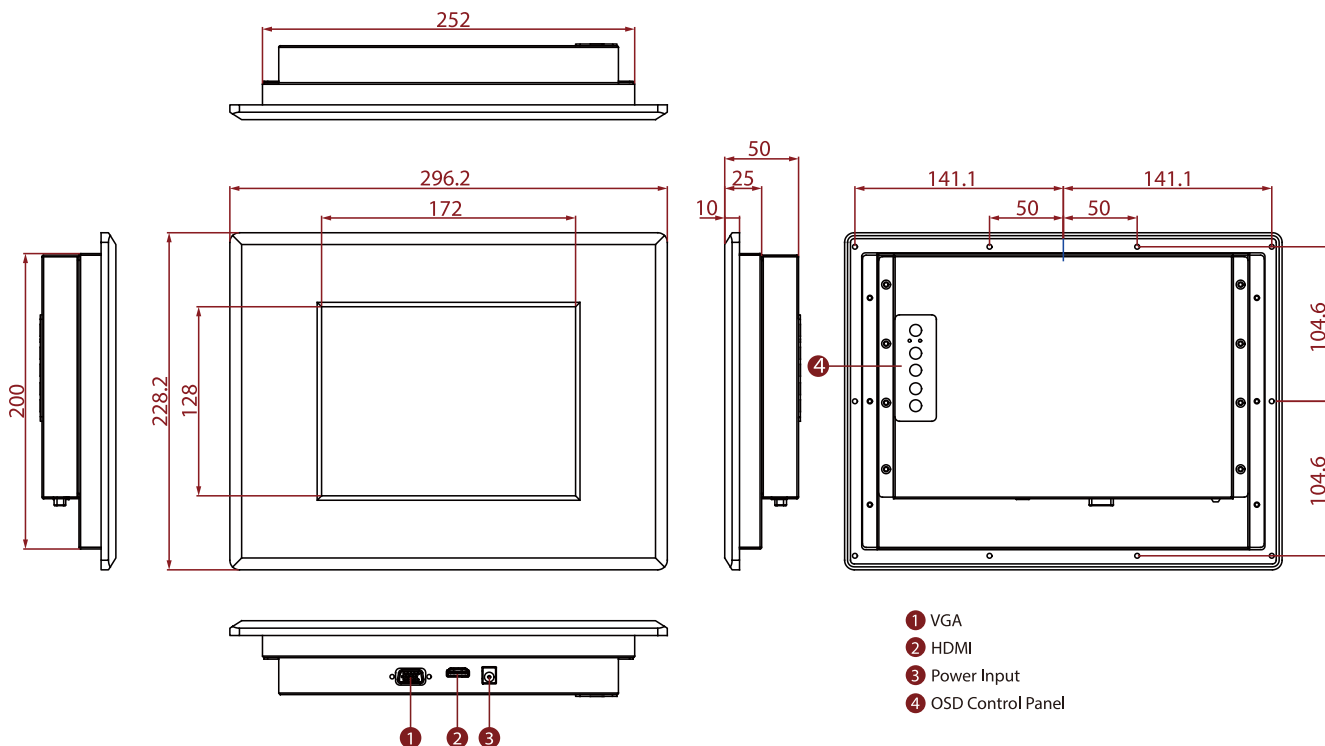
- 8.4", 800 x 600 Wide Temperature Display
- VGA and HDMI input
- Panel mount
- VESA mount
- Front IP65 waterproof and dustproof
- Wide temperature -20~60°C



SPECIFICATIONS

Display	
Resolution	800x600
Contrast Ratio	600:1
Display Color	16.2M Colors
Active Area	170.4x127.8 mm
Size	8.4 inches
Panel Brightness	450.0 nits
View Angles	80,80,60,80
Touch / Glass	Resistive Touch Screen Protection Glass w/o Touch Function (Optional) SAW Touch (Surface Acoustic Wave) (Optional)
Environment	
Operating Humidity	30% to 90% RH, Non-Condensing
Storage Temperature	-25°C to 65°C
Operating Temperature	-20°C to 60°C
Certification	
Certification	CE, FCC
IO Ports	
USB Port	1 x USB for Touch Screen
Audio	Audio line in (3.5mm) (Optional) 2 x Speaker (Optional)
Video	1 x VGA 1 x HDMI (Optional) 1 x DVI (Optional)
Mechanical	
Dimension	296.2 x 228.2 x 50 mm
Enclosure	Metal
Mounting	VESA Mount/ Panel Mount
Cooling System	Fanless Design
Accessory	
Accessory	1 x VGA cable 1 x HDMI cable 100~240V AC to DC Adapter Power Cord Manual VESA screws(Varies by product)
Optional Accessory	Remote Controller (Optional,Varies by product)
Power	
Power Rating	12V DC in
Control	

DIMENSIONS UNIT:MM



NOTE

1. This is a simplified drawing and some components are not marked in detail.
2. Please contact our sales representative if you need further product information.
3. All specifications are subject to change without prior notice.
4. The product shown in this datasheet is a standard model. For diagrams that contain customized or optional I/O, please contact the Winmate Sales Team for more information.