

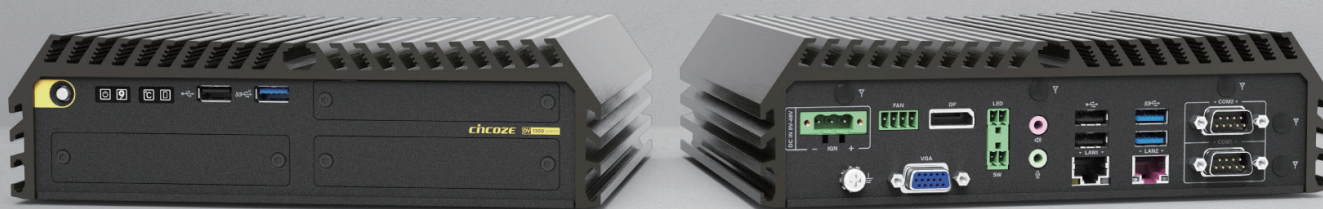
DV-1100

13/12th Gen. Intel® Core™ Series High Performance and Basic Function Rugged Embedded Computer



HIGH-PERFORMANCE | COST-EFFECTIVE

DV-1100, a 13/12th Gen Intel Core Series Rugged Computer



Overview

[CONTACT](#)

The DV-1100 is a compact, high-performance, embedded edge computer that supports 13th/12th generation Intel® processors. Its balance between high-performance computing needs and cost-effectiveness enables enterprises to quickly analyze and process edge data for better decision-making and improved production efficiency and accuracy. The DV-1100 is ideal for smart manufacturing, machine vision, railway computing, and space-constrained applications where stability and reliability are paramount.

Key Features

- Intel® 13/12th Gen. Core™ i9/i7/i5/i3 Processors (max 65 W TDP)
- 1x M.2 Key M Type 2280 Socket for PCIe Gen 4x4 NVMe Storage
- 1x M.2 Key E Type 2230 Socket for Wireless/Intel CNVi Module Expansion
- 1x M.2 Key B Type 3052/3042 Socket for 5G/Storage/Add-on Card Expansion
- 1x M.2 Key B Type 2242 Socket for Storage/Add-on Card Expansion
- Optional CMI & CFM Modules for I/O Expansion & Power Ignition Sensing Function
- Wide operating temperature -40°C to 70°C

Certifications



Balancing Performance and Cost

The DV-1100 has a compact body and supports a 13th/12th generation Intel® Core™ processor. It provides sufficient computing performance for multitasking and diverse applications while balancing performance and cost.

13 / 12th Gen

Intel Core Series

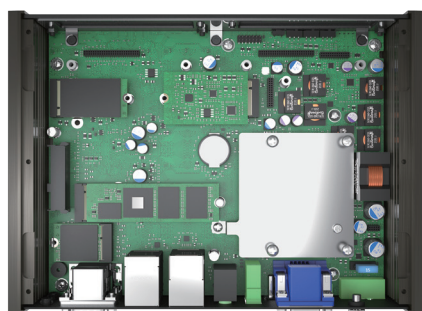


Compact Size

The DV-1100 measures only 224.1 x 162 x 62mm, making it easy to install anywhere, including in space-constrained applications.

Stunning Transfer and Access Speeds

The DV-1100 has high-speed I/O interfaces, including 2.5G LAN and 10Gbps USB 3.2 Gen2x1. Storage support includes 2.5" HDD/SSD and high-speed NVMe SSD.



Excellent Extension Design

The DV-1100 has built-in M.2 Key B, M.2 Key E, and M.2 Key M slots for flexible wireless (5G, Wi-Fi, GNSS) and storage selection according to application requirements.

Various Industry Certifications

The DV-1100's rugged design meets various industrial-grade and industrial certifications, such as EMC standards in industrial environments (EN 61000-6-2/4), US military shock vibration standards (MIL-STD-810H), railway computing EN50155 (EN 50121-3-2 only), and more.



Specifications

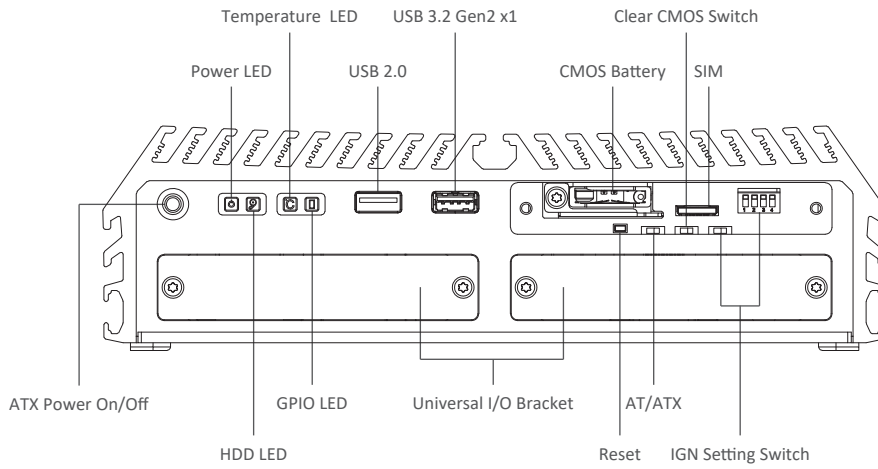
Model Name	DV-1100
System	
Processor	<ul style="list-style-type: none"> 13th Generation Intel® Raptor Lake-S Series CPU: <ul style="list-style-type: none"> - Intel® Core™ i9-13900E 24 Cores Up to 5.2 Ghz, TDP 65W - Intel® Core™ i7-13700E 16 Cores Up to 5.1 Ghz, TDP 65W - Intel® Core™ i5-13500E 14 Cores Up to 4.6 Ghz, TDP 65W - Intel® Core™ i5-13400E 10 Cores Up to 4.6 Ghz, TDP 65W - Intel® Core™ i3-13100E 4 Cores Up to 4.4 Ghz, TDP 65W - Intel® Core™ i9-13900TE 24 Cores Up to 5.0 Ghz, TDP 35W - Intel® Core™ i7-13700TE 16 Cores Up to 4.8 Ghz, TDP 35W - Intel® Core™ i5-13500TE 14 Cores Up to 4.5 Ghz, TDP 35W - Intel® Core™ i3-13100TE 4 Cores Up to 4.1 Ghz, TDP 35W 12th Generation Intel® Alder Lake-S Series CPU: <ul style="list-style-type: none"> - Intel® Core™ i9-12900E 16 Cores Up to 5.0 GHz, TDP 65W - Intel® Core™ i7-12700E 12 Cores Up to 4.8 GHz, TDP 65W - Intel® Core™ i5-12500E 6 Cores Up to 4.5 GHz, TDP 65W - Intel® Core™ i3-12100E 4 Cores Up to 4.2 GHz, TDP 60W - Intel® Core™ i9-12900TE 16 Cores Up to 4.8 GHz, TDP 35W - Intel® Core™ i7-12700TE 12 Cores Up to 4.7 GHz, TDP 35W - Intel® Core™ i5-12500TE 6 Cores Up to 4.3 GHz, TDP 35W - Intel® Core™ i3-12100TE 4 Cores Up to 4.0 GHz, TDP 35W - Intel® Pentium® G7400E 2 Cores Up to 3.6 GHz, TDP 46W - Intel® Pentium® G7400TE 2 Cores Up to 3.0 GHz, TDP 35W - Intel® Celeron® G6900E 2 Cores Up to 3.0 GHz, TDP 46W - Intel® Celeron® G6900TE 2 Cores Up to 2.4 GHz, TDP 35W
Chipset	<ul style="list-style-type: none"> Intel H610E Chipset
Memory	<ul style="list-style-type: none"> 1x DDR5 4800Mhz SO-DIMM Socket Supports Un-buffered and non-ECC Type, Up to 32GB
BIOS	<ul style="list-style-type: none"> AMI BIOS
Graphics	
Graphics Engine	<ul style="list-style-type: none"> Integrated Intel® UHD Graphics 770: Core™ i9/i7/i5 Integrated Intel® UHD Graphics 730: Core™ i3 Integrated Intel® UHD Graphics 710: Pentium®/Celeron®
Maximum Display Output	<ul style="list-style-type: none"> Supports Triple Independent Display
DP	<ul style="list-style-type: none"> 1x DisplayPort Connector: 3840 x 2160 @60Hz
VGA	<ul style="list-style-type: none"> 1x VGA Connector: 1920 x 1200 @60Hz
CMI Display	<ul style="list-style-type: none"> 1x CMI Interface for Optional CMI-DP/CMI-HDMI Module Expansion
Audio	
Audio Codec	<ul style="list-style-type: none"> Realtek® ALC888, High Definition Audio
Line-out	<ul style="list-style-type: none"> 1x Line-out, Phone Jack 3.5mm
Mic-in	<ul style="list-style-type: none"> 1x Mic-in, Phone Jack 3.5mm
I/O	
LAN	<ul style="list-style-type: none"> 1x 2.5GbE LAN, RJ45 <ul style="list-style-type: none"> - Intel® I225 1x 1GbE LAN, RJ45 <ul style="list-style-type: none"> - Intel® I219
COM	<ul style="list-style-type: none"> 2x RS-232/422/485 with Auto Flow Control (Supports 5V/12V), DB9
USB	<ul style="list-style-type: none"> 1x 10Gbps USB3.2 Gen 2x1, Type A 2x 5Gbps USB 3.2 Gen 1x1, Type A 3x 480Mbps USB2.0, Type A

Storage	
SSD/HDD	<ul style="list-style-type: none"> 1x 2.5" SATA HDD/SSD Bay (SATA 3.0)
M.2 SSD	<ul style="list-style-type: none"> 1x M.2 SSD Shared by M.2 Key M Type 2280 Socket, Support PCIe Gen 4x4 NVMe SSD or SATA 3.0 SSD 2x M.2 SSD Shared by M.2 Key B Socket, Support PCIe Gen 3x2 NVMe SSD or SATA 3.0 SSD
Expansion	
M.2 Key E Socket	<ul style="list-style-type: none"> 1x M.2 Key E Type 2230 Socket (PCIe Gen 3x2 / USB2.0), Support Wireless/Intel CNVi Module Expansion
M.2 Key B Socket	<ul style="list-style-type: none"> 1x M.2 Key B Type 3042/3052 Socket (PCIe Gen 3x2 / USB3.2 Gen2 x1 / USB2.0 / SATA), Support 5G/Storage/Add-on Card Expansion 1x M.2 Key B Type 2242 Socket (PCIe Gen 3x2 / USB2.0 / SATA), Support Storage/Add-on Card Expansion
SIM Socket	<ul style="list-style-type: none"> 1 x Front Accessible Dual Nano SIM Socket
CMI (Combined Multiple I/O) Interface	<ul style="list-style-type: none"> 1x CMI Interface for optional CMI-Display Module Expansion 2x CMI Interface for optional CMI-COM/DIO Module Expansion
CFM (Control Function Module) Interface	<ul style="list-style-type: none"> 1x CFM IGN Interface for optional CFM-IGN Module Expansion
Other Function	
External FAN Connector	<ul style="list-style-type: none"> 1x External FAN Connector, 4-pin Terminal Block (Support Smart Fan by BIOS)
Clear CMOS Switch	<ul style="list-style-type: none"> 1x Clear CMOS Switch
Reset Button	<ul style="list-style-type: none"> 1x Reset Button
Instant Reboot	<ul style="list-style-type: none"> Support 0.2sec Instant Reboot Technology
Watchdog Timer	<ul style="list-style-type: none"> Software Programmable Supports 256 Levels System Reset
Antenna Hole	<ul style="list-style-type: none"> 5x Antenna Holes
Power	
Power Button	<ul style="list-style-type: none"> 1x ATX Power On/Off Button
Power Mode Switch	<ul style="list-style-type: none"> 1x AT/ATX Mode Switch
Power Input	<ul style="list-style-type: none"> 9 - 48VDC, 3-pin Terminal Block
Remote Power On/Off	<ul style="list-style-type: none"> 1x Remote Power On/Off, 2-pin Terminal Block
Remote Power LED	<ul style="list-style-type: none"> 1x Remote Power LED, 2-pin Terminal Block
Physical	
Dimension (W x D x H)	<ul style="list-style-type: none"> 224.1 x 162 x 62 mm
Weight Information	<ul style="list-style-type: none"> 2.52 KG
Mechanical Construction	<ul style="list-style-type: none"> Extruded Aluminum with Heavy Duty Metal
Mounting	<ul style="list-style-type: none"> Wall / DIN-RAIL / VESA Mount
Physical Design	<ul style="list-style-type: none"> Fanless Design Cableless Design Jumper-less Design Unibody Design
Reliability & Protection	
Reverse Power Input Protection	<ul style="list-style-type: none"> Yes
Over Voltage Protection	<ul style="list-style-type: none"> Protection Range: 51~58V Protection Type: shut down operating voltage, re-power on at the preset level to recover
Over Current Protection	<ul style="list-style-type: none"> 15A
CMOS Battery Backup	<ul style="list-style-type: none"> SuperCap Integrated for CMOS Battery Maintenance-free Operation

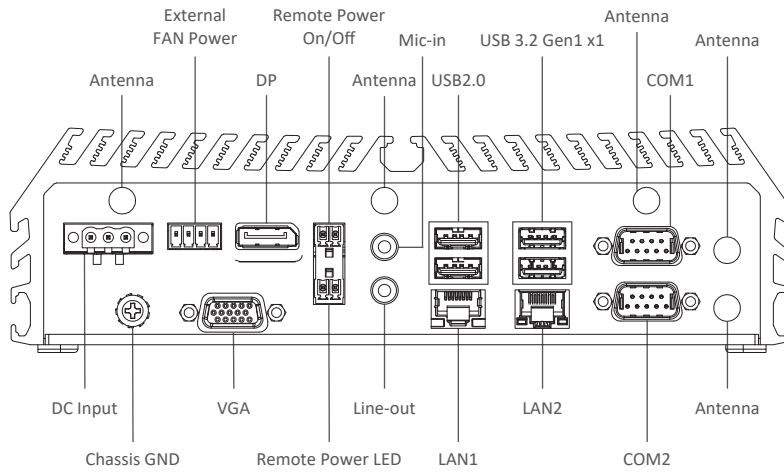
MTBF	<ul style="list-style-type: none"> • TBC Hours - Database: Telcordia SR-332 Issue3, Method 1, Case 3
Operating System	
Windows	<ul style="list-style-type: none"> • Windows® 10
Linux	<ul style="list-style-type: none"> • Supports by project
Environment	
Operating Temperature	<ul style="list-style-type: none"> • 35W TDP Processor: -40°C to 70°C • 65W TDP Processor: TBC (With External Fan Kit) * PassMark BurnInTest: 100% CPU, 2D/3D Graphics (without thermal throttling) * With extended temperature peripherals; Ambient with air flow * According to IEC60068-2-1, IEC60068-2-2, IEC60068-2-14
Storage Temperature	<ul style="list-style-type: none"> • TBC
Relative Humidity	<ul style="list-style-type: none"> • TBC
Shock	<ul style="list-style-type: none"> • MIL-STD-810G
Vibration	<ul style="list-style-type: none"> • MIL-STD-810G
EMC	<ul style="list-style-type: none"> • CE, UKCA, FCC, ICES-003 Class A • EN IEC 61000-6-4 / EN IEC 61000-6-2 (24VDC Input Only) • EN 50155 (EN 50121-3-2 Only) • E-mark (Pending)
EMI	<ul style="list-style-type: none"> • CISPR 32 Conducted & Radiated: Class A • EN/BS EN 50121-3-2 Conducted & Radiated: Class A • EN/BS EN IEC 61000-3-2 Harmonic current emissions: Class A • EN/BS EN 61000-3-3 Voltage fluctuations & flicker • FCC 47 CFR Part 15B, ICES-003 Conducted & Radiated: Class A
EMS	<ul style="list-style-type: none"> • EN/IEC 61000-4-2 ESD: Contact: 6 kV; Air: 8 kV • EN/IEC 61000-4-3 RS: 80 MHz to 1000 MHz: 20 V/m • EN/IEC 61000-4-4 EFT: AC Power: 2 kV; DC Power: 2 kV; Signal: 2 kV • EN/IEC 61000-4-5 Surges: AC Power: 2 kV; Signal: 1 kV • EN/IEC 61000-4-6 CS: 10V (**Compliant with the standard when utilizing shielded cable.) • EN/IEC 61000-4-8 PFMF: 50 Hz, 30A • EN/IEC 61000-4-11 Voltage Dips & Voltage Interruptions: 1 cycles at 60 Hz

External Layout

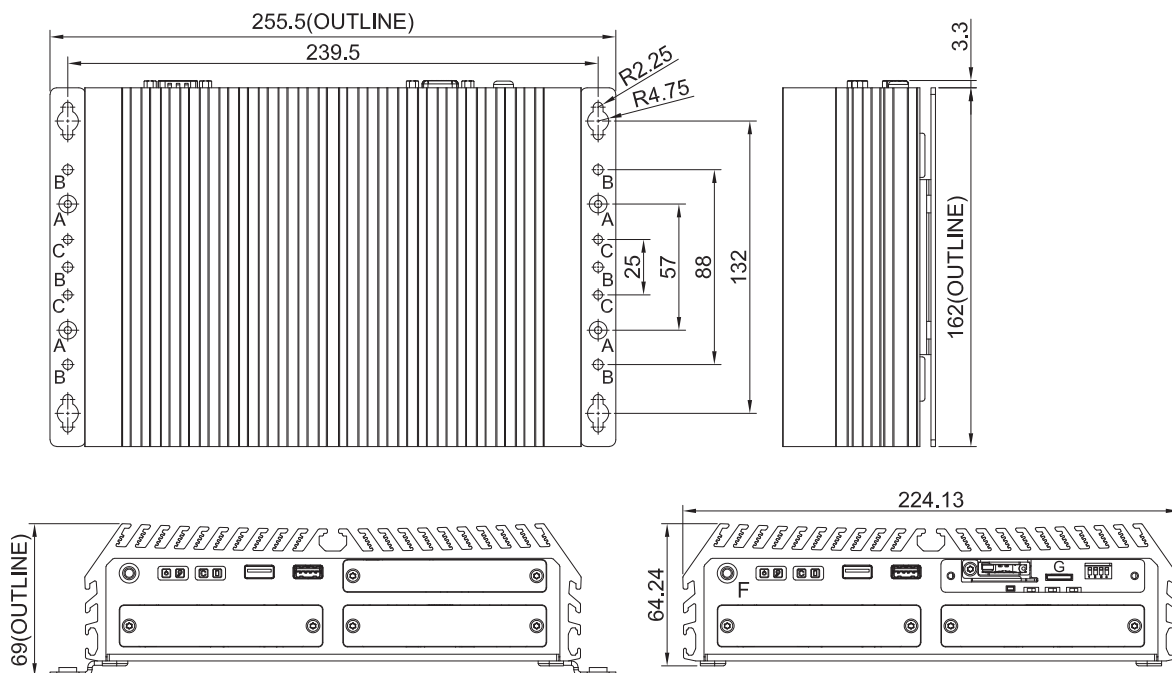
Front



Rear



Dimensions



Unit: mm

Ordering Information

Available Models

Model No.	Description
DV-1100-R10	13/12th Gen. Intel® Core™ Series High Performance and Basic Function Rugged Embedded Computer

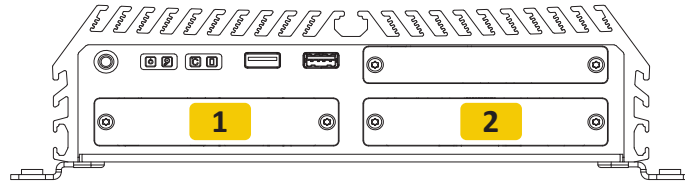
Package Checklist





• DV-1100 Embedded Computer x1	• Wall Mounting Kit x1
• CPU Installation Kit x1	• Power Terminal Block Connector x 1
• External Fan Terminal Block Connector x 1	• Remote Function Terminal Block Connector x 2
• Screw Pack x 1	• M.2 Key B Type 3052 to Type 3042 Adapter Bracket x1

Optional Modules and Accessories

Model No.	Description
CMI-DP01-R10	CMI Module with 1x DisplayPort
CMI-HD03-R10	CMI Module with 1x HDMI Port
CMI-COM06-R10	CMI Module with 2x RS232/422/485 Ports (Support 5V/12V)
CMI-DIO06-R10	CMI Module with 16DIO (8in 8out)
CFM-IGN04-R10	CFM Module with Power Ignition Sensing Function, 12V/24V Selectable
UB1603-R10	Universal Bracket with 2x DB9 Cutout
UB1606-R10	Universal Bracket with DP Cutout
UB1608-R10	Universal Bracket with HDMI Cutout
UB1618-R20	Universal Bracket with DIO Cutout
DINRAIL-R10	Diamond series DIN-RAIL Mount Kit
FAN-EX104	External Fan with 4pin Terminal Block Plug and Mounting Bracket, Support Smart Fan
GST120A24-CIN	Adapter AC/DC 24V 5A 120W with 3pin Terminal Block Plug and Tubes, Level VI
GST220A24-CIN	Adapter AC/DC 24V 9.2A 220W with 3pin Terminal Block Plug and Tubes, Level VI

Optional Module Configuration



Model No.	Description	1	2
CMI-DP01/UB1606 	CMI Module with 1x DisplayPort / 1x Universal Bracket with DP Cutout for DV Series	-	V
CMI-HD03/UB1608 	CMI Module with 1x HDMI / 1x Universal Bracket with HDMI Cutout for DV Series	-	V
CMI-COM06/UB1603 	CMI Module with 2x RS232/422/485 Ports (Support 5V/12V) / 1x Universal Bracket with 2x DB9 Cutout for DV Series	V	V
CMI-DIO06/UB1618 	CMI Module with 16DIO (8in 8out) / 1x Universal Bracket with DIO Cutout for DV Series	V	V

V : Compatible