



Features

- Solid aluminum die-casting chassis
- Variety of LCD panel size selections
- IP66 compliant front panel
- VGA, DVI, HDMI and DP input
- Wide range DC 9~36V power input
- Auto dimming for option

Specifications

I/O Port	
VGA	1 x VGA
DVI	1 x DVI-D (share with HDMI)
DP	1 x DP
HDMI	1 x HDMI (share with DVI-D)
Audio	1 x Audio line-in phone jack
OSD Control Membrane	OSD at rear side
Power	1 x 3-pin terminal block for DC 9~36V power input
Others	1 x USB type B for touch control Optional I/O: 1 x Speaker 1 x RS-232 DB-9 for Touch Control

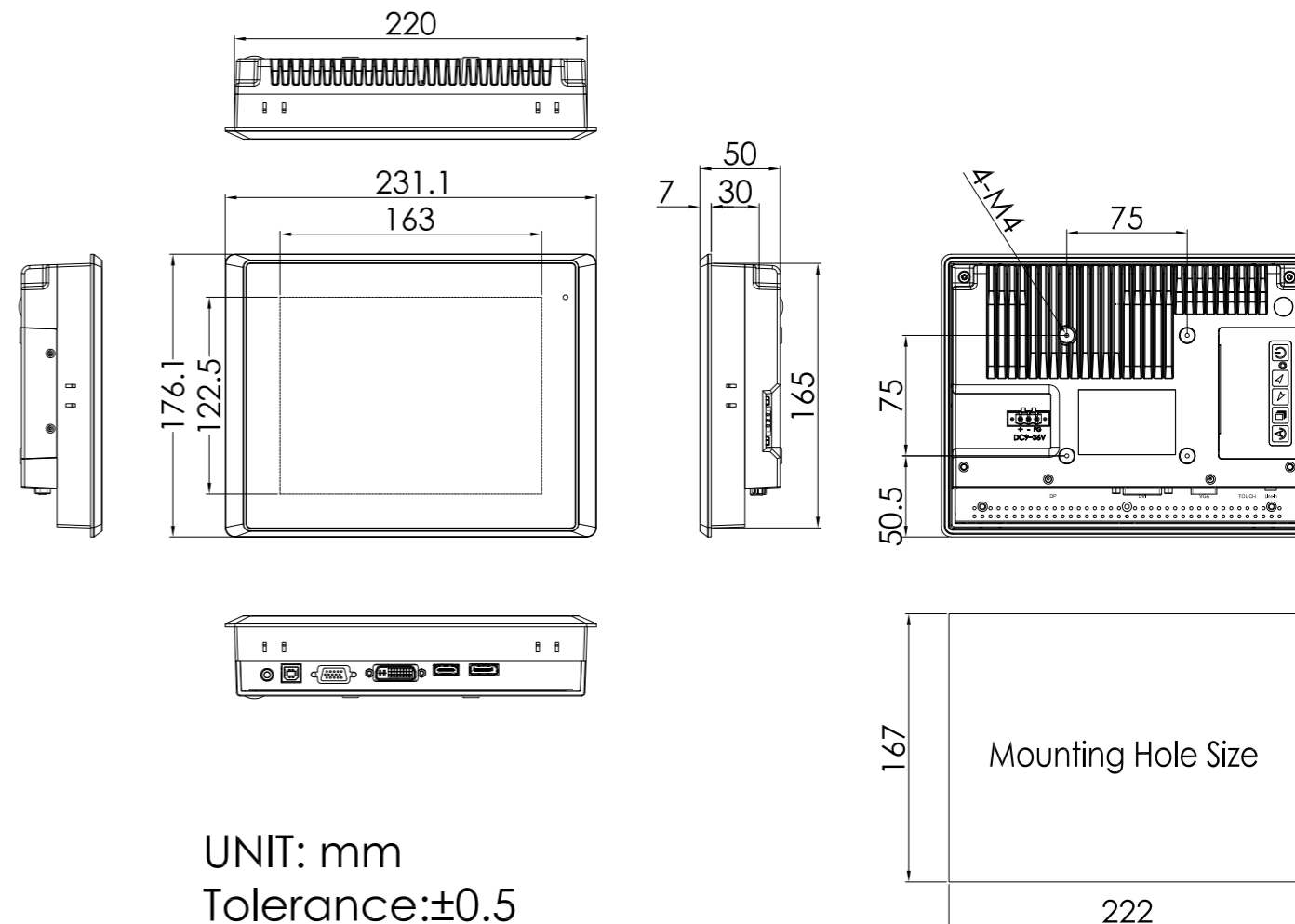
Display	Standard	High Brightness Optional
Display Type	8" TFT-LCD	8" TFT-LCD
Max. Resolution	800 x 600	800 x 600
Max. Color	16.2M	16.2M
Luminance (cd/m ²)	350	1000
View Angle	140(H) / 120(V)	140(H) / 125(V)
Contrast	500:1	500:1
Backlight Lifetime	40,000 hrs	50,000 hrs

Touch Screen	
Type	Resistive Touch (for AR Model) Projected Capacitive Touch (for AP Model) Glass (for AG model)
Interface	USB default (Resistive / Projected Capacitive Touch) RS-232 Option (Resistive Touch)
Light Transmission(%)	Resistive Touch : over 80% Projected Capacitive Touch : over 90%

Power	
Power Input	DC 9~36V
Power Consumption	ARCDIS-108AP: 6W (MAX)

Mechanical	
Construction	Aluminum Die-casting Chassis
Mounting	Panel Mount / VESA Mount 75 x 75
IP Rating	IP66 Compliant Front Panel
Dimensions (WxHxD)	231.1 x 176.1 x 50 mm
Net Weight	1.8 kg

Dimensions



Environmental	
Operating Temperature	0~50°C / -20~60°C for option
Storage Temperature	-30~70°C
Humidity	10 to 95% @ 40°C, non-condensing
Certificate	CE/FCC, Class A

Ordering Information	
ARCDIS-108AR	8" FPD Industrial display, Resistive touch window, VGA, DVI, HDMI, and DP input, 5 keys Rear OSD, DC 9~36V power input with adapter, Aluminum Die-casting Chassis.
ARCDIS-108AP	8" FPD Industrial display, Projected Capacitive touch screen, VGA, DVI, HDMI, and DP input, 5 keys Rear OSD, DC 9~36V power input with adapter, Aluminum Die-casting Chassis.