

## Features



- Low Power Consumption Panel PC
- Intel® Celeron® Processor N2930
- Onboard DDR3L 4GB 1333/1600MHz
- IP66/IP69K rated with M12 connector
- SUS304 Grade Stainless Steel Enclosure (SUS 316 Optional)
- Full Flat Bezel and Fanless Design
- Projective Capacitive Touch/Resistive Touch Window
- 9~36V DC Wide-ranging Power Input



## Specifications

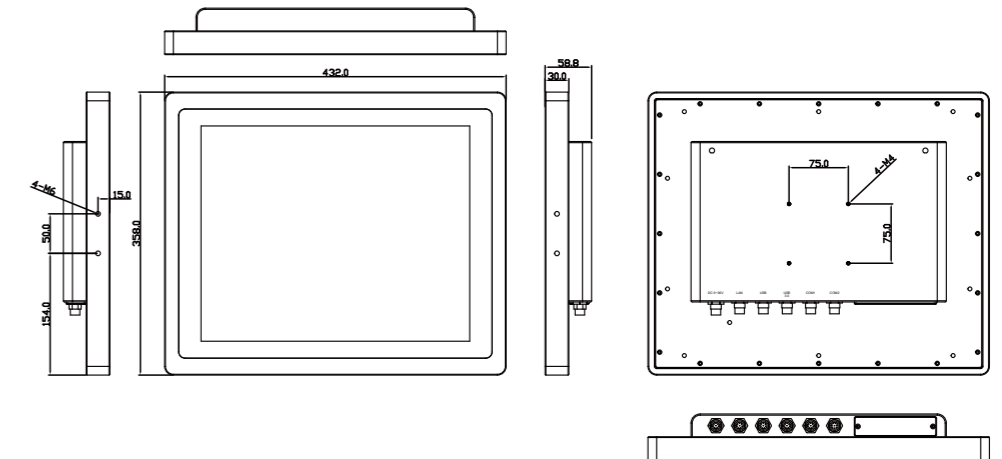


System	
Processor	Intel® Celeron® Processor N2930
System Chipset	SoC
System Memory	Onboard DDR3L 4GB 1333/1600MHz
External I/O	
USB	1 x M12 8-pin for 1 x USB 3.0
Serial/Parallel	1 x M12 8-pin for RS-232/422/485, COM1, Default RS-232 1 x M12 8-pin for RS-232, COM2
LAN	1 x M12 8-pin for GbE LAN
Power	1 x M12 3-pin DC Power
Optional I/O (either one)	1 x M12 8-pin for 2 x USB 2.0 (Default) 1 x Power Switch
Expansion	
Expansion slot	1 x Mini PCIe full size For optional WLAN/BT Module and Antenna at rear side
Storage Space	
Storage	1 x 2.5" SATA HDD or SSD, Easily Accessible 1 x Internal SD Card Slot Onboard
LCD	
Display Type	17" TFT-LCD
Max. Resolution	1280 x 1024
Max. Color	16.2M
Luminance (cd/m <sup>2</sup> )	350
View Angle	H: 160/V: 140
Contrast	1000:1
Backlight Lifetime	50,000 Hrs
Touch Screen - Projected Capacitive Touch	
Interface	USB
Light transmission (%)	90%
Touch Screen - Resistive Touch Window	
Interface	USB
Light transmission (%)	80%
Power	
Power input	9~36V DC
Power Consumption	MAX: 27W (APC-3794P) MAX: 25W (APC-3794R)

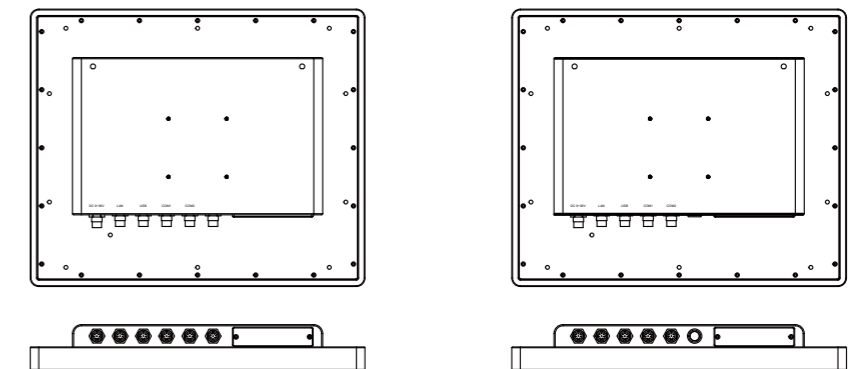
## Dimensions



Standard ▶



Optional I/O (either one) ▼



Mechanical	
Construction	Satinless steel
IP Rating	Full IP66/IP69K Design
Mounting	Panel Mount/VESA Mount 75 x 75/Wall Mount
Dimension	432 x 358 x 58.8 mm
Net Weight	7.2 kg
Environmental	
Operating temperature(°C)	0°C~50°C -20~60°C (with Industrial SSD)
Storage temperature(°C)	-30°C~70°C
Humidity	10 to 95% @ 40°C, non-condensing
Certification	CE/FCC class A
Operating System Support	
Windows 7 Professional for Embedded Systems, Windows 7 Ultimate for Embedded System, Windows Embedded 8.1 Pro, Windows Embedded 8.1 Industry pro Windows 10 IoT ENT LTSCB	
Ordering information	
APC-3794P-02	17" SXGA IP66/IP69K full flat bezel design stainless steel panel PC, Intel® Celeron® Processor N2930, DDR3L 4G on board, 2.5" SATA II 320GB Industrial HDD, with projective capacitive touch, 9~36V DC power input with Adaptor, stainless steel enclosure
APC-3794R-02	17" SXGA IP66/IP69K full flat bezel design stainless steel panel PC, Intel® Celeron® Processor N2930, DDR3L 4G on board, 2.5" SATA II 320GB Industrial HDD, with RES. Touch Window, 9~36V DC power input with Adaptor, stainless steel enclosure